

PRODUCT DATA SHEET



PRODUCT CODE

GL2000FNO

RANGE

GLIDE II

DESCRIPTION

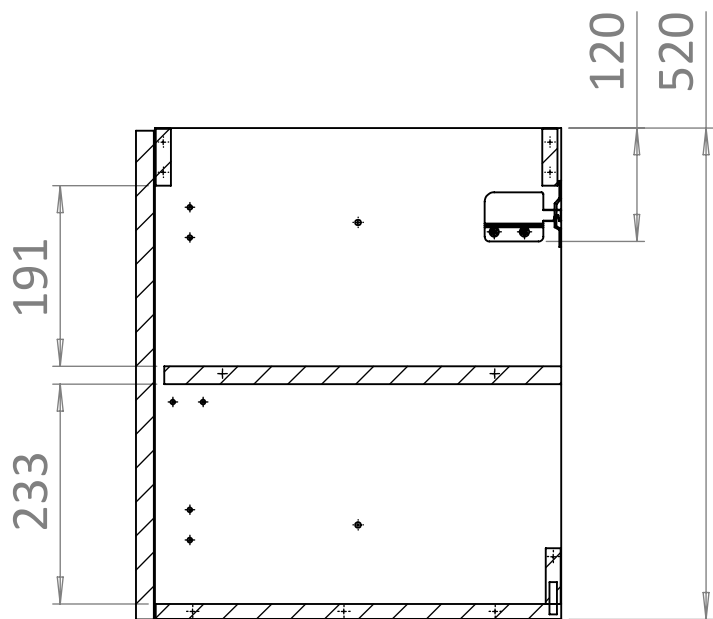
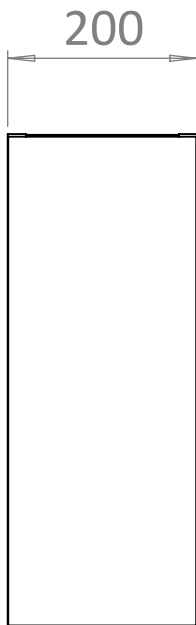
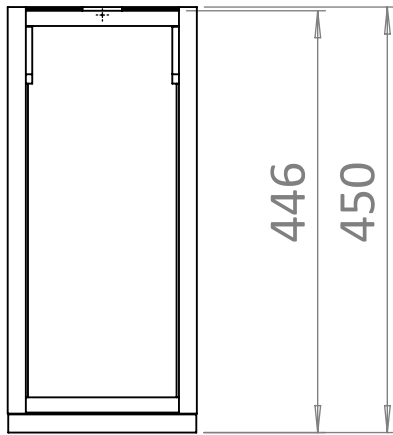
200mm Link Door Unit Nordic Oak

COLOUR	Nordic Oak
COLOUR CODE/ REFERENCE	Crosswater Exclusive
MATERIAL	18mm MFC
STANDARDS	EN 13986
INSTALLATION TYPE	Wall-Mounted
DRAWER BOX	Textured Aluminium Anthracite Finish Concealed Runners
DRAWER RUNNERS	GRASS DWP XP - Soft Close, Pull to open
DRAWER EXTENSION	Full Extension
DRAWER ADJUSTMENT	4 Way
DRAWER CAPACITY	40kg
WALL HANGERS	CAMAR with Safety Lock - Factory Fitted 120kg Load Capacity Per Pair On A Solid Wall 3 Way Adjustment
ADJUSTABLE FEET	No
WEIGHT	12kg
WARRANTY	10 Years

TECHNICAL DIMENSIONS

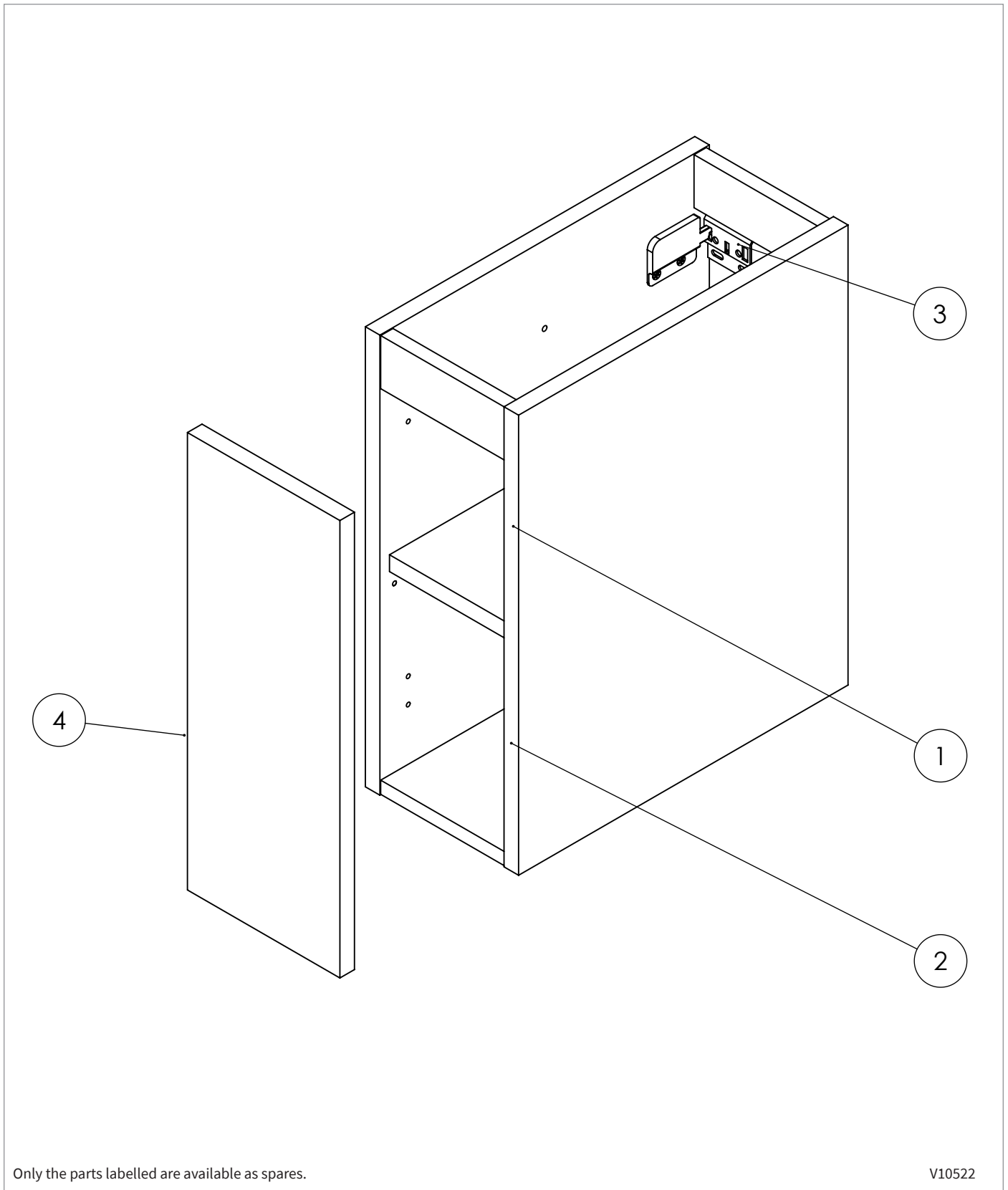
Dimensions in mm unless otherwise specified.

Tolerances (per material type) apply.



V10522

SPARES DIAGRAM



Only the parts labelled are available as spares.

V10522

SPARES DIAGRAM

NUMBER	PART CODE	DESCRIPTION
1	DOHI-GL200D	200 Link Unit Pair of Hinges
2	GLPUSH	200 Link Unit Push Release Mechanism
3	WB897ASZ16070	Wall Brackets
4	DF_GL20FNO	Glide 200 Link Unit Door - Nordic Oak
	DF_GL20FBS	Glide 200 Link Unit Door - Blue Smoke
	DF_GL20FSG	Glide 200 Link Unit Door - Storm Grey
	DF_GL20FWG	Glide 200 Link Unit Door - White Gloss
	DF_GL20FWO	Glide 200 Link Unit Door - Windsor Oak
	DF_GL20FST	Glide 200 Link Unit Door - Steelwood
	DF_GL20FMB	Glide 200 Link Unit Door - Matt Black
	WGREPAIR	Touch Up Kit White Gloss
	BSREPAIR	Touch Up Kit Blue Smoke
	SGREPAIR	Touch Up Kit Storm Grey
	BMREPAIR	Touch Up Kit Matt Black

Only the parts labelled are available as spares.

V10522