

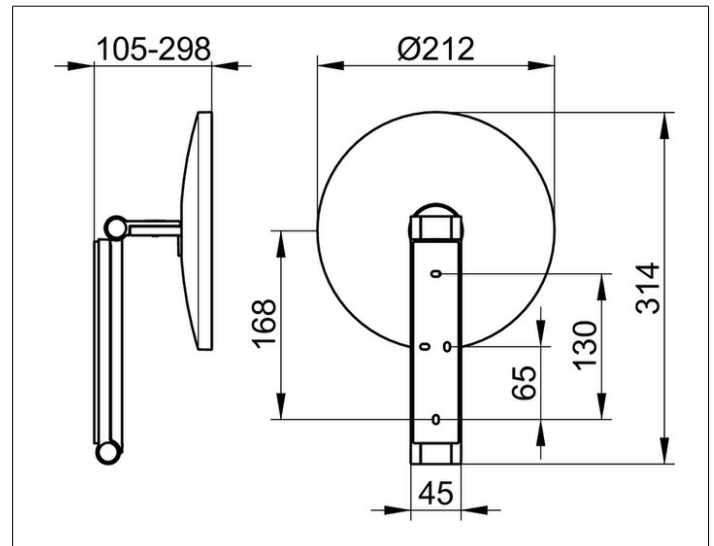
Cosmetic mirrors

17612010000 Cosmetic mirror

PRODUCT



DRAWING



PRODUCT ATTRIBUTES

non illuminated,
on pivoted rail adjustable in three dimensions,
one-sided mirror, magnification factor x 5

SURFACE

chrome-plated

SPECIFICATIONS

KEUCO iLook_move cosmetic mirror, 17612010000
high quality cosmetic mirror, round,
chrome-plated, non illuminated,
on pivoted rail,
surface wall-mounted with 4 fixing points
for an optimal load distribution
adjustable in three dimensions, one-sided mirror, concave
magnification factor x 5,
Height wall mounting 180 mm, Width ca. 45 mm,
max. Height ca. 500 mm, External diameter 212 mm,
max. depth ca. 300 mm,
the cosmetic mirror is fitted concealed,
delivery includes anti corrosion fixings