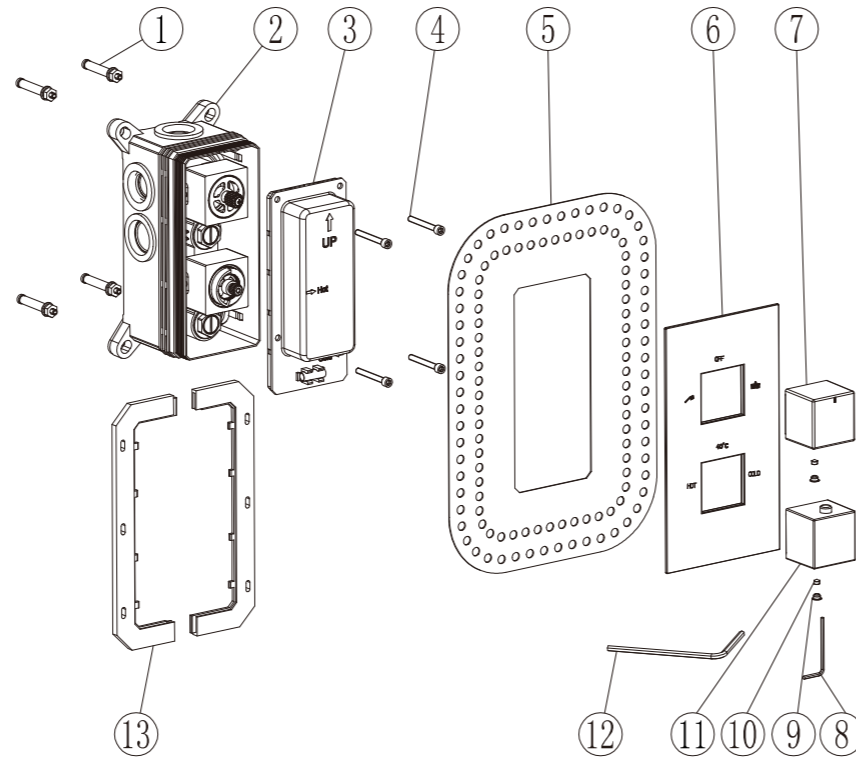


Concealed Thermostatic bath shower mixer with box
Instruction Guide

Service Parts



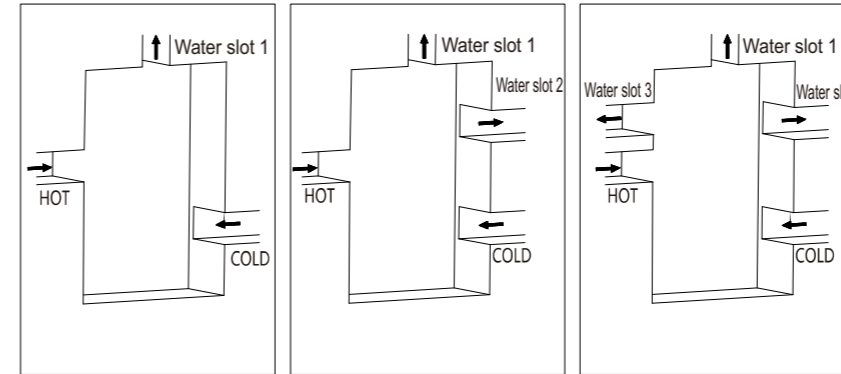
No	Part Name	QTY	No	Part Name	QTY
1	M6*60 Expansion Screws	4	8	2.5 mm Allen Key	4
2	Concealed Box (with mixer body)	1	9	Rubber Plug	1
3	Upper Cover (with level gauge)	1	10	M5*4 Set Screws	1
4	M5*40 Set Screws	4	11	Temperature Handle	4
5	Rubber Plate	4	12	4 mm Allen Key	4
6	S/ST Wall Flange	1	13	Plastic Frame (for hollow wall)	1
7	Diverter Handle	4			

IGMX0307(2019/10)

IGMX0307(2019/10)

Installation Method

Before Installation

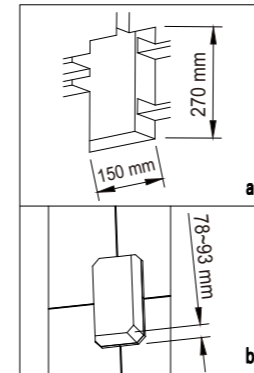


For one-function shower, cut one outlet slot.

For two-function shower, cut two outlet slots.

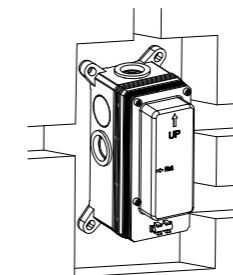
For three-function shower, cut three outlet slots.

Box Installation



Pic.a: width and high for wall opening.

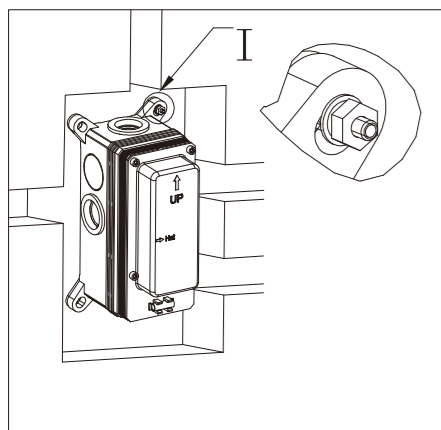
Pic.b: depth for wall opening.



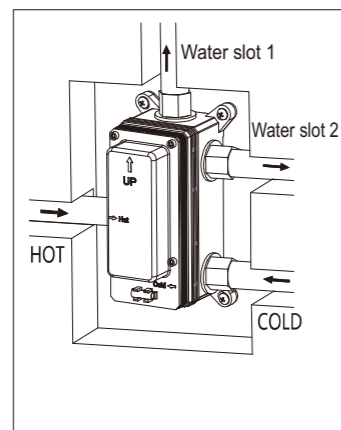
Fit the pre-intallation box into the wall as shown on the picture.

IGMX0307(2019/10)

Installation Method

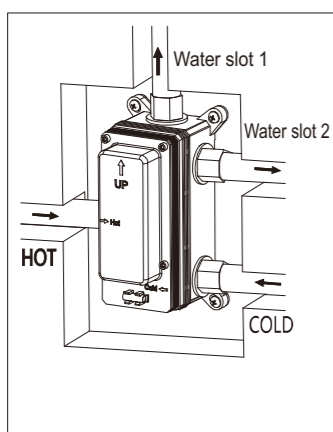


Fix the box to wall with expansion screws and spanner. Check the level gauge to ensure horizontal alignment and always keep the arrow upwards.



Connecting all the inlets and outlets pipes.
Note: Before connection, turn on the master valve to eliminate the impurities in the pipes.

Watertightness Test

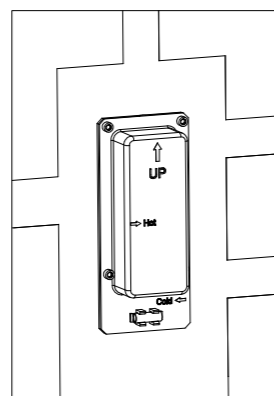


Apply a water pressure no more than 0.5 MPa, check all the connections to ensure no leakage.

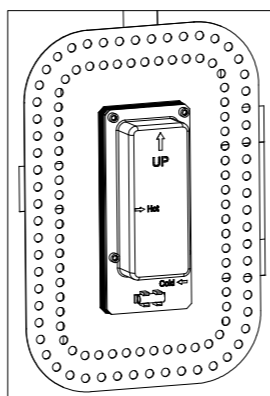
IGMX0307(2019/10)

Installation Method

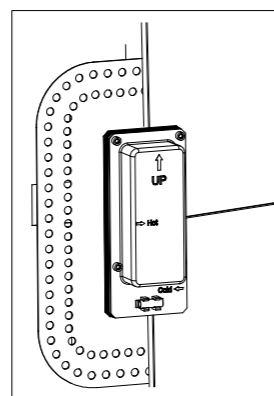
Wall Sealing



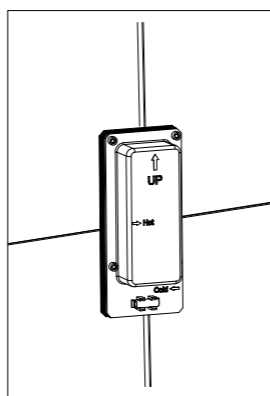
Start pressure test to ensure no leakage occurs before filling in the wall with concrete.



Fit the rubber plate to the box body and attached it to the surface of concrete.



When putting on tiles, make sure the cutting of tiles to be perfectly matched with the box.

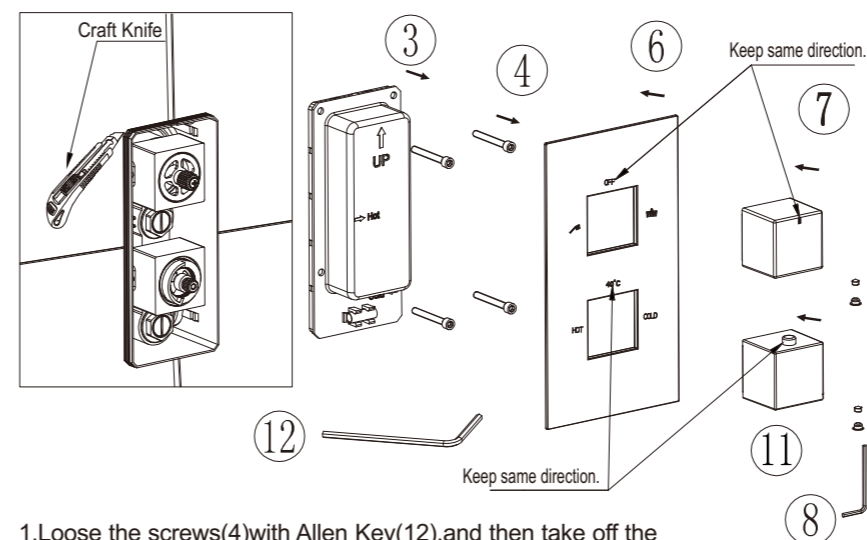


Pre-installation completed, waiting for installation of wall flange and handle.

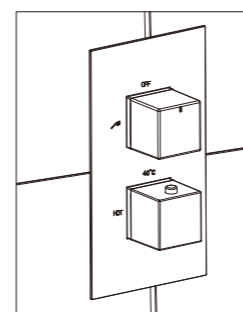
IGMX0307(2019/10)

Installation Method

Installation of Wall Flange and Handle



1. Loose the screws(4) with Allen Key(12), and then take off the upper cover(3).
2. Cut off the unwanted part of box with a craft knife, making sure the box is below the wall surface.
3. First peel off the film of 3M tape on the back of wall flange(6) and then glue it on the wall surface.
4. Before installing the diverter handle(7), adjust the handle to such that the handle mark is upwards and the cartridge is on "OFF" status. Then tight up the screws(10) with Allen Key(8) and lastly insert the rubber plug into the screw hole.
5. Before installing the temperature handle(11), adjust the handle to such that the handle pin is upwards and the temperature is 38 ± 2 . Then tight up the screws(10) with Allen Key(8) and lastly insert the rubber plug into the screw hole.



This picture shows the mixer installation completed.

IGMX0307(2019/10)