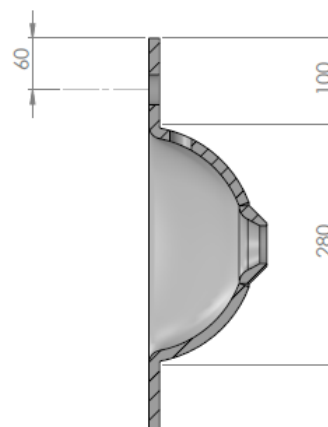
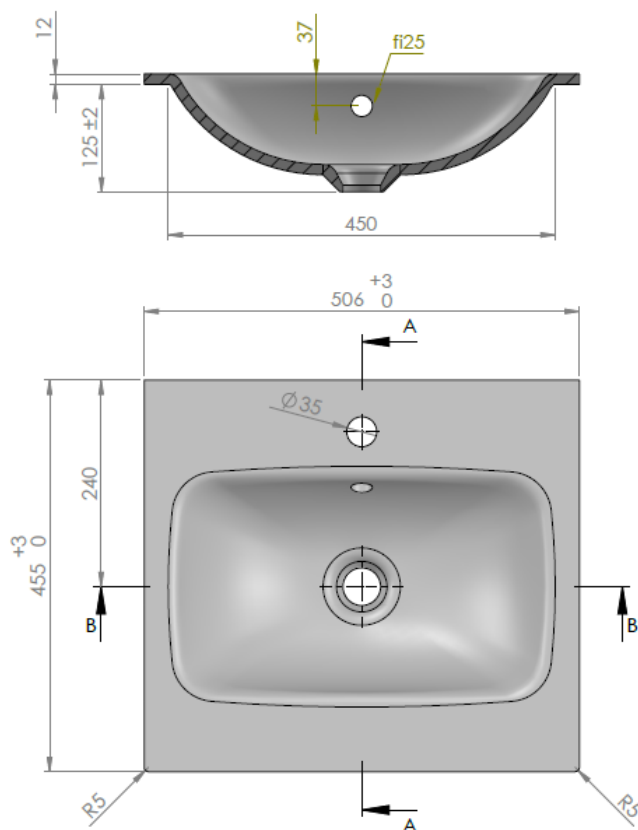


GLIDE II 500mm Glass Basin



TECHNICAL DATA		SPECIFICATION
<b>CODE No</b>	GL0510SIW+ No tap hole GL0511SIW+ Single Tap Hole	Furniture basin EN 31/EN 14688 – CL 0
<b>Compatible with:</b>	GL5000Dxx+	Dimensions w 506 x d 455 x h 12mm
<b>Recommended use</b>	Domestic, hotel, residential	Tested in accordance with EN 14688:2009, 4.3
<b>Material</b>	Low Iron Soda Lime Silicate Glass EN572-9:2005	Maximum water Temperature 70°C
<b>Standards</b>	EN 14688 – CL 0 EN31	
<b>Required Fitting:</b>	Universal Basin Waste BSW0260C-PRO0260X	
<b>Colour</b>	Gloss finish Ice White	
<b>Specification</b>	1 centre tap hole or no tap hole Over flow, including chrome overflow cover	
<b>Fixing</b>	Furniture carcass only	
<b>Weight</b>	10kg	
<b>Warranty</b>	10 years	



Sizes detailed could have a variation of about +/- 5 % due to the changes to material characteristics during the firing processes. Exact measurements for individual installations can only be taken from the finished basin.