

Optix 10 Hinged Double Bath Screen

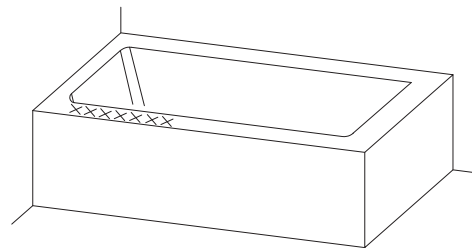
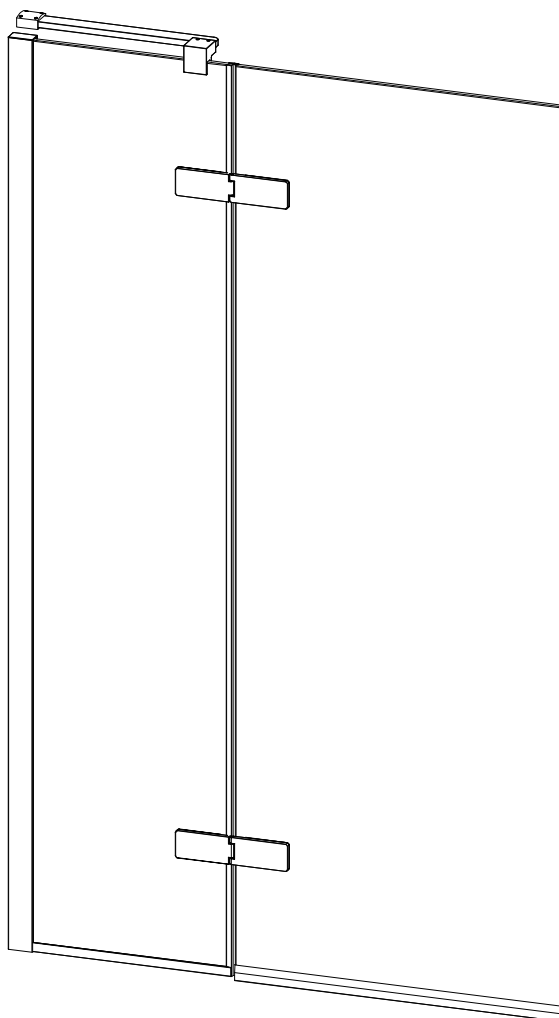
Manufactured to: BS EN 14428

IMPORTANT

BEFORE STARTING THE INSTALLATION ENSURE ALL THE DOOR SIZE MEASUREMENTS CORRESPOND WITH THE INSTALLATION AREA INCLUDING THE FINISHED TILED/PANELLED WALLS. RETURNS DUE TO INCORRECT SIZING WILL NOT BE ACCEPTED.



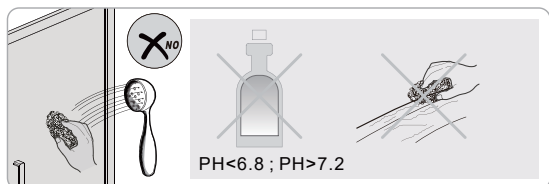
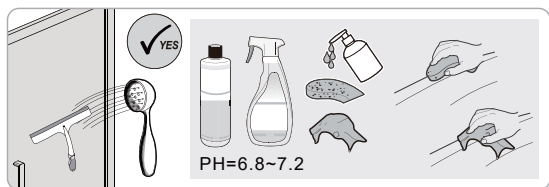
OXBDSC0900X2 39Kgs
OXBDFC0900X2 39Kgs
OXBDVC0900X2 39Kgs



Important Pre-Installation

Ensure the bath rim is as flat as possible, this will assist in a smooth and water tight moving door operation.

Optix 10 Hinged Double Bath Screen



INSTALLATION INSTRUCTIONS

crosswater[®]

IMPORTANT - Please read before installation

Please read these instructions carefully before starting installation and keep in a safe place for future reference.

Check the contents of the pack carefully before installation. Crosswater will not be held responsible for any de-fit / re-fit costs where faulty product has been fitted.

If any fault is found with materials or workmanship, it must be reported immediately to the manufacturer. Remedial action will be taken, based on information received, on condition that:

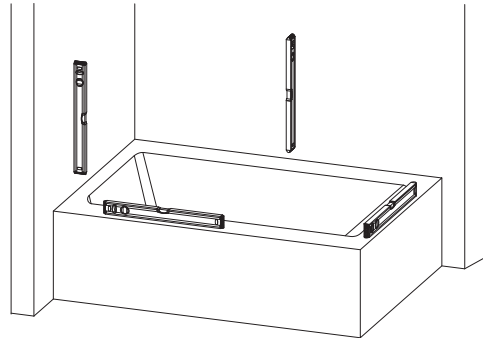
1. Full details are supplied to the manufacturer;
2. The bath screen has not been modified or tampered with;
3. The manufacturer is informed of any damage/shortages prior to installation.

We do not accept responsibility for any problems that may occur through incorrect installation.

The success of the installation and operation of any bath screen is, of course, dependant on the squareness, alignment and construction of the walls to which fixing is to be carried out.

VERY IMPORTANT

You must complete all tiling and grouting, and the bath tub **MUST** be level and fully sealed to the tiles before installation. If you do not fit the bath screen onto a tiled surface, or seal the tiles to the bath before installation, water may soak into the wall behind the wall profiles.



INSTALLATION - Advise and safety

The installation instructions are based on typical use and conditions.

All doors are designed to open outwards only.

Ensure that the product can be fixed to a solid masonry/brick wall or suitable timber stud work grade C16-C24 in the area behind the wall profile and wall brackets.

These instructions have been prepared for your guidance, you must exercise due care at all times.

For Health and Safety 2 people must carry out the installation of this bath screen.

Handle glass with care. Although the glass supplied is toughened safety glass(EN12150), impacts can damage both the glass and the frame.

Warning!

Please check for any hidden pipes or cables before drilling holes in the wall.

When using power tools always follow the manufacturers user instructions.

If the Framework is sealed to the bath on the inside, any water that may get into the framework will not be able to drain back into the tray, this may cause the bath screen to leak.

Leave the silicone sealant to dry for 24 hours before using the bath screen.

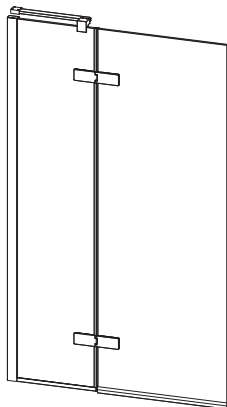
CARE AND CLEANING

Do not use solvents or abrasive material or chemicals to clean the bath screen.

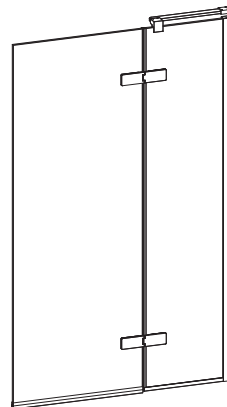
Only clean using soapy water and soft cloth, rinse thoroughly afterwards.

INSTALLATION - Left and Right hand

This product is reversible for left or right hand opening. Please follow the diagram, and detail below for your choice of installation.

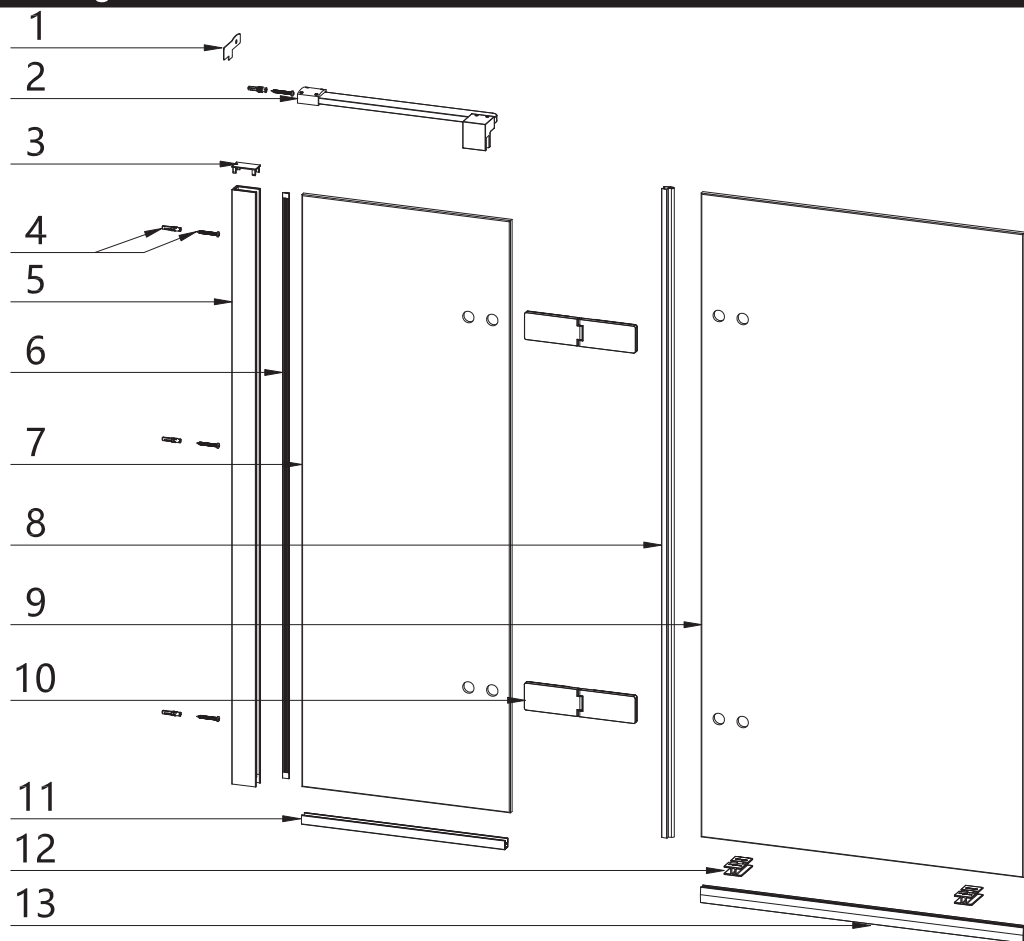



LH




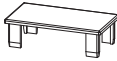
RH


Optix 10 Hinged Double Bath Screen 900

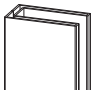



1 Bracing bar template

 x1

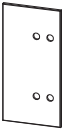
2 Bracing Bar and spare screws

 x1

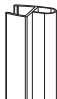
3 Wall profile cover cap

 x1


4 Wall plug and 4x35mm screw

 x3

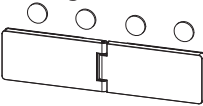
5 Wall profile

 x1


6 Wall profile seal

 x1


7 Fixed glass

 x1


8 Vertical seal

 x1

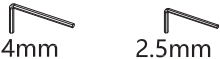
9 Moving panel

 x1


10 Hinge and screw cover caps

 x2

11 Bottom profile

 x1

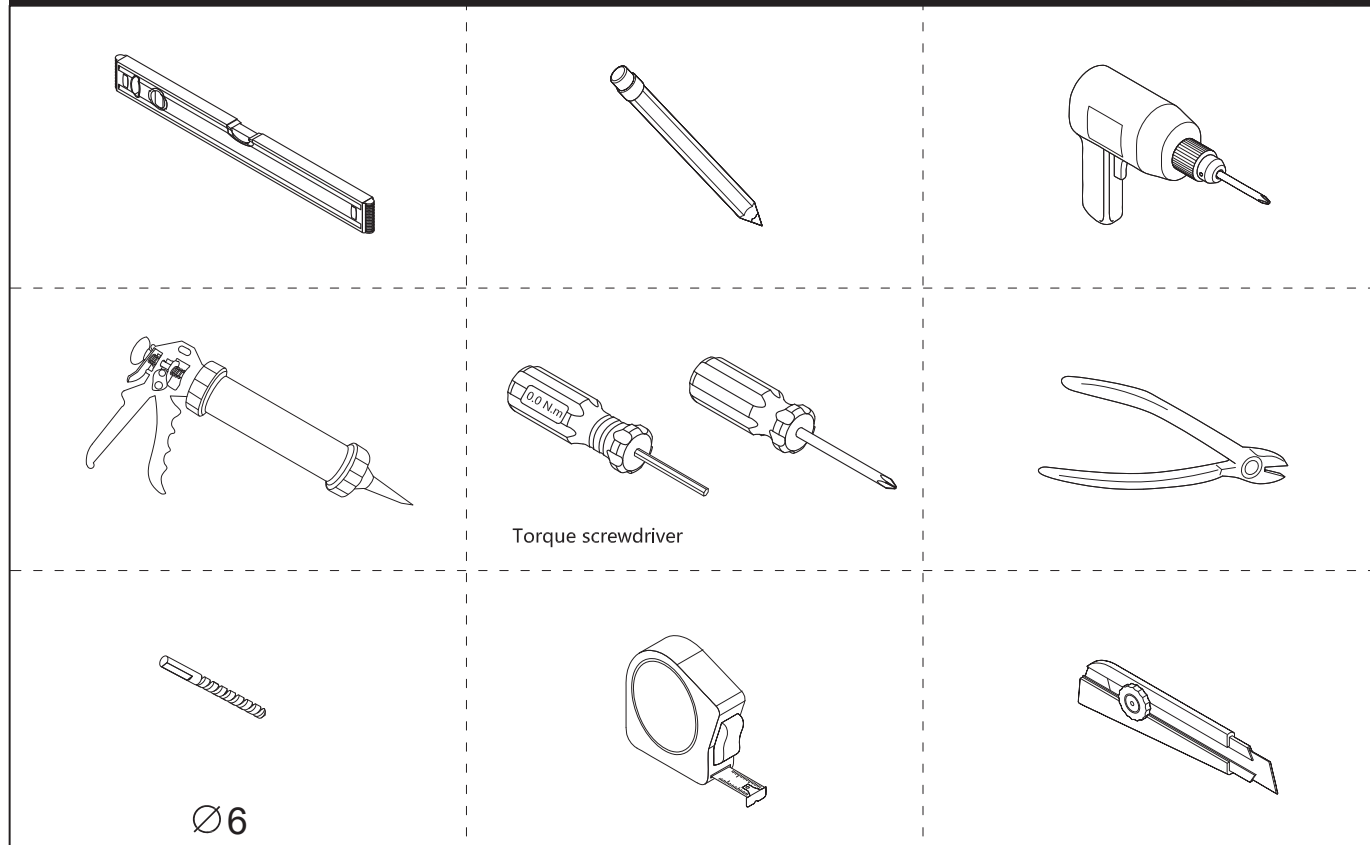
12 Spacer

 x2

13 Bottom seal

 x1

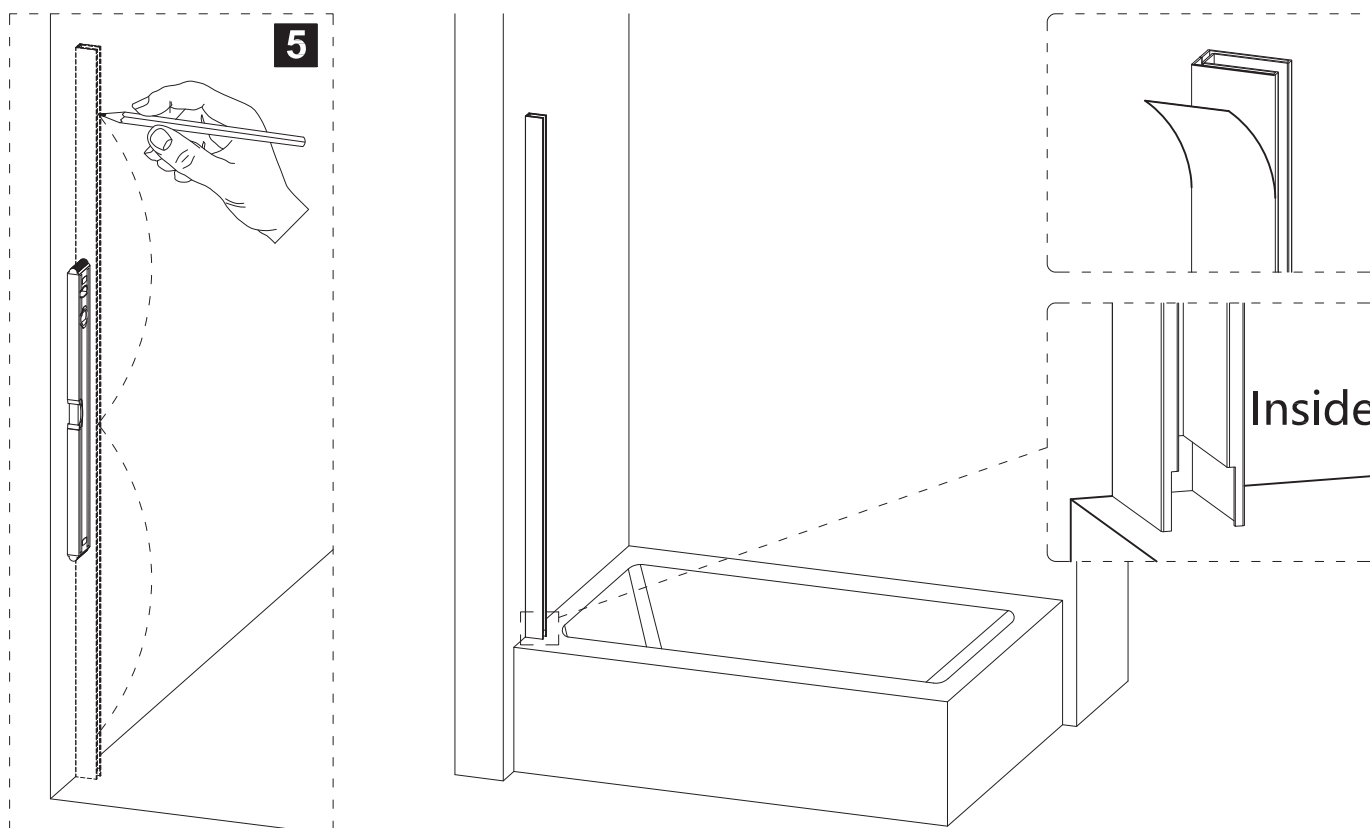
14 Allen key 4mm 2.5mm

 1+1

15 Wedge gasket tool

 x1

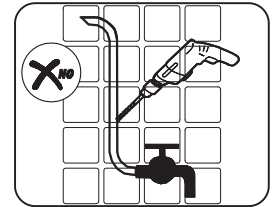
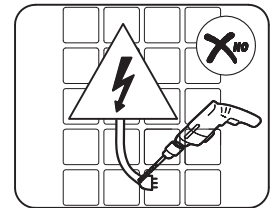
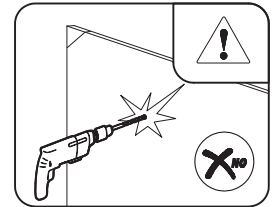
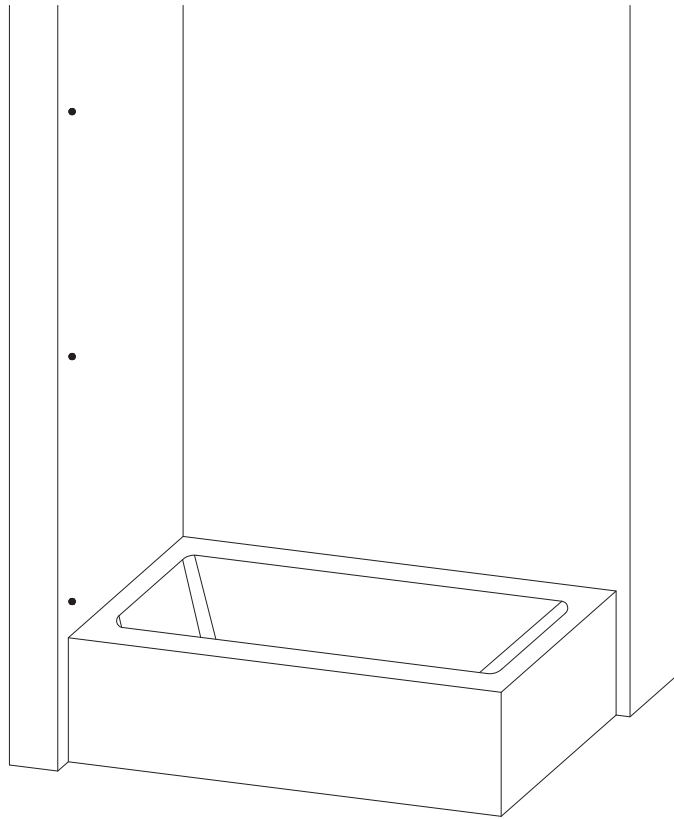
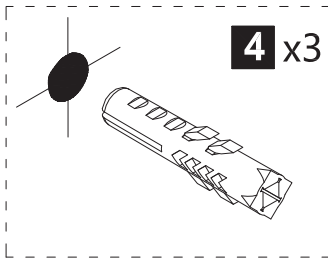
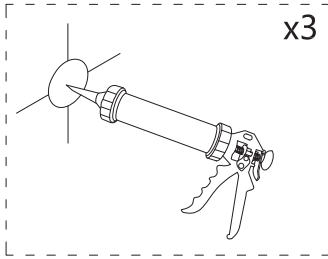
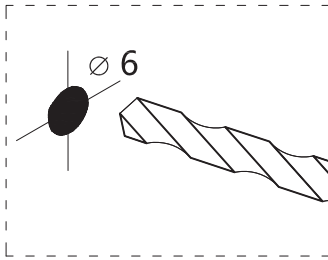
Installation tools required, not supplied



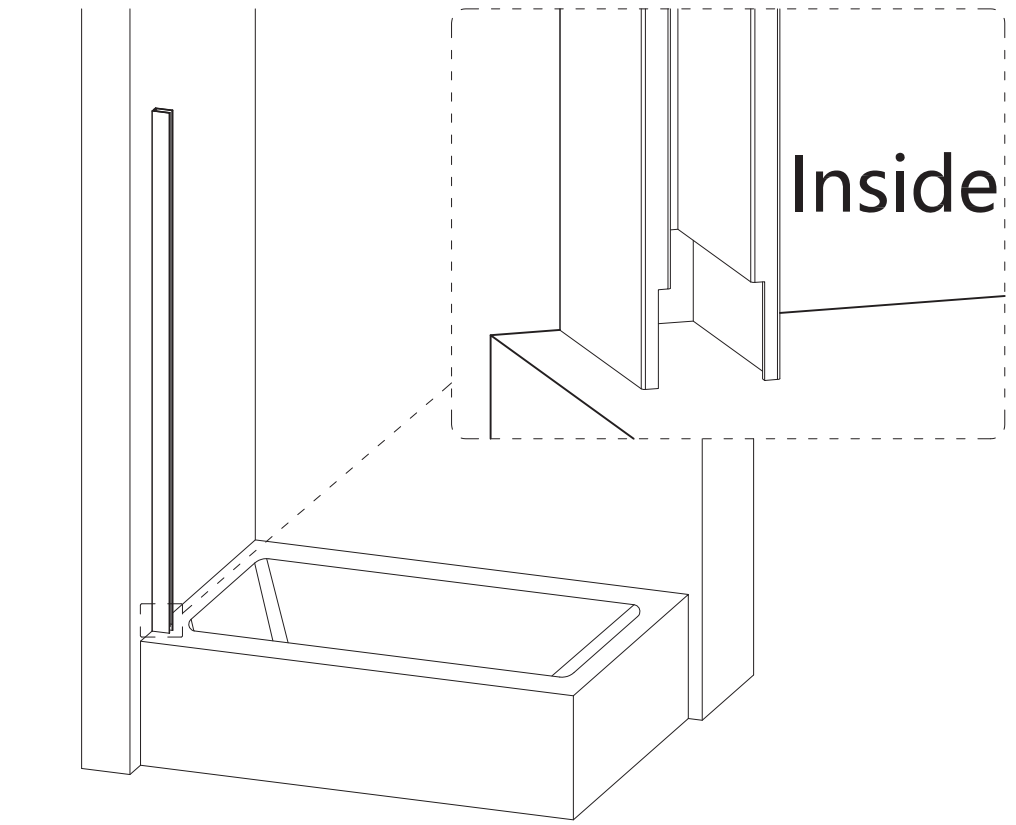
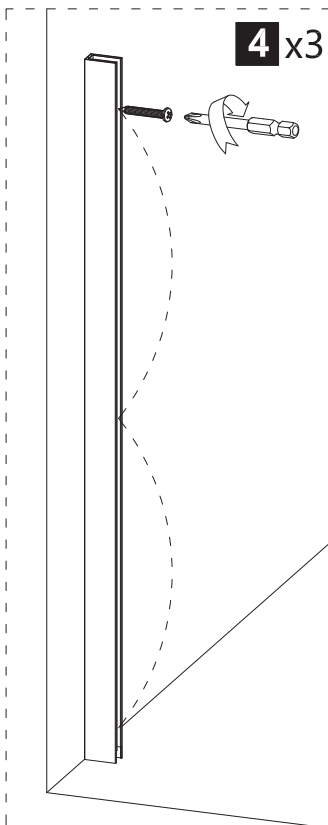
Step 1



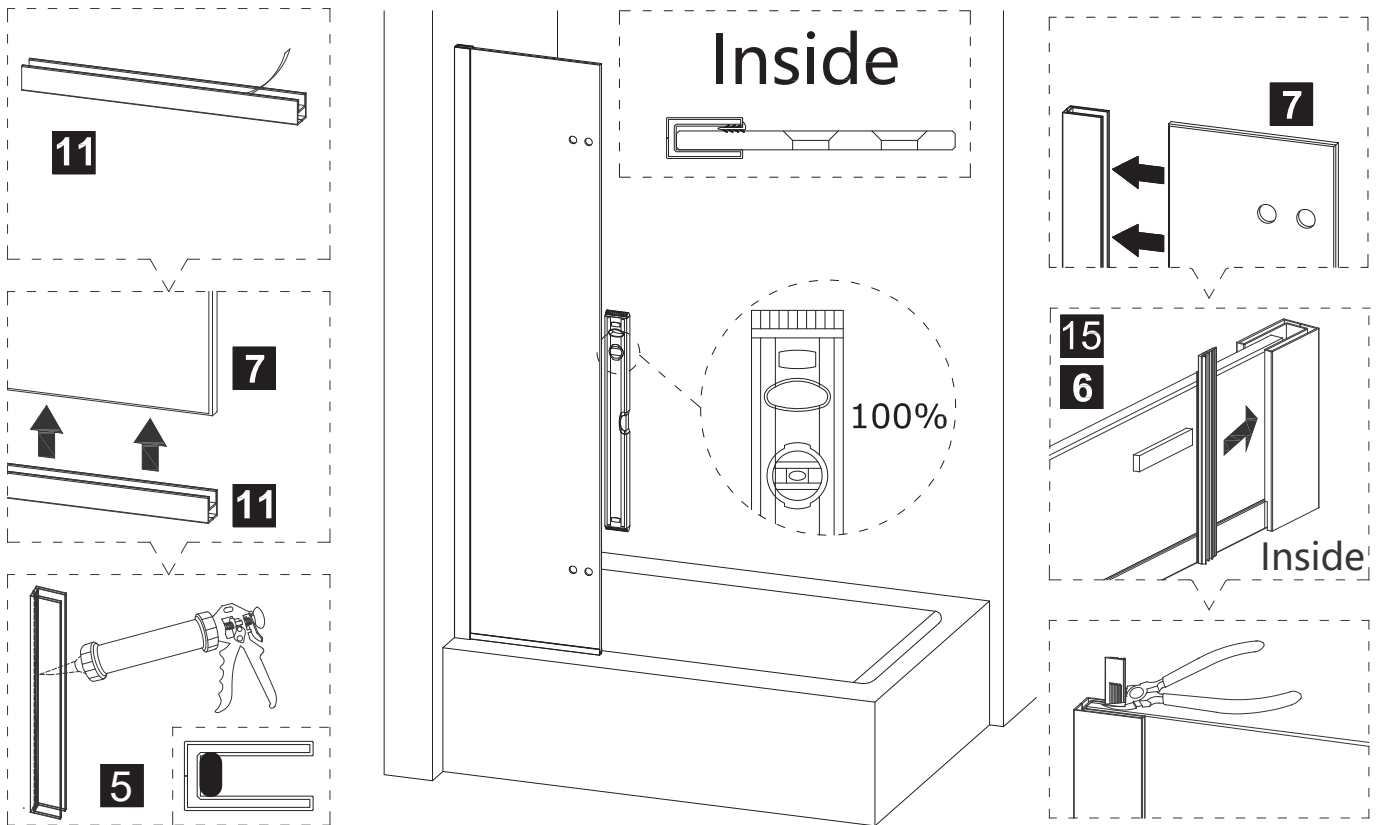
Step 2



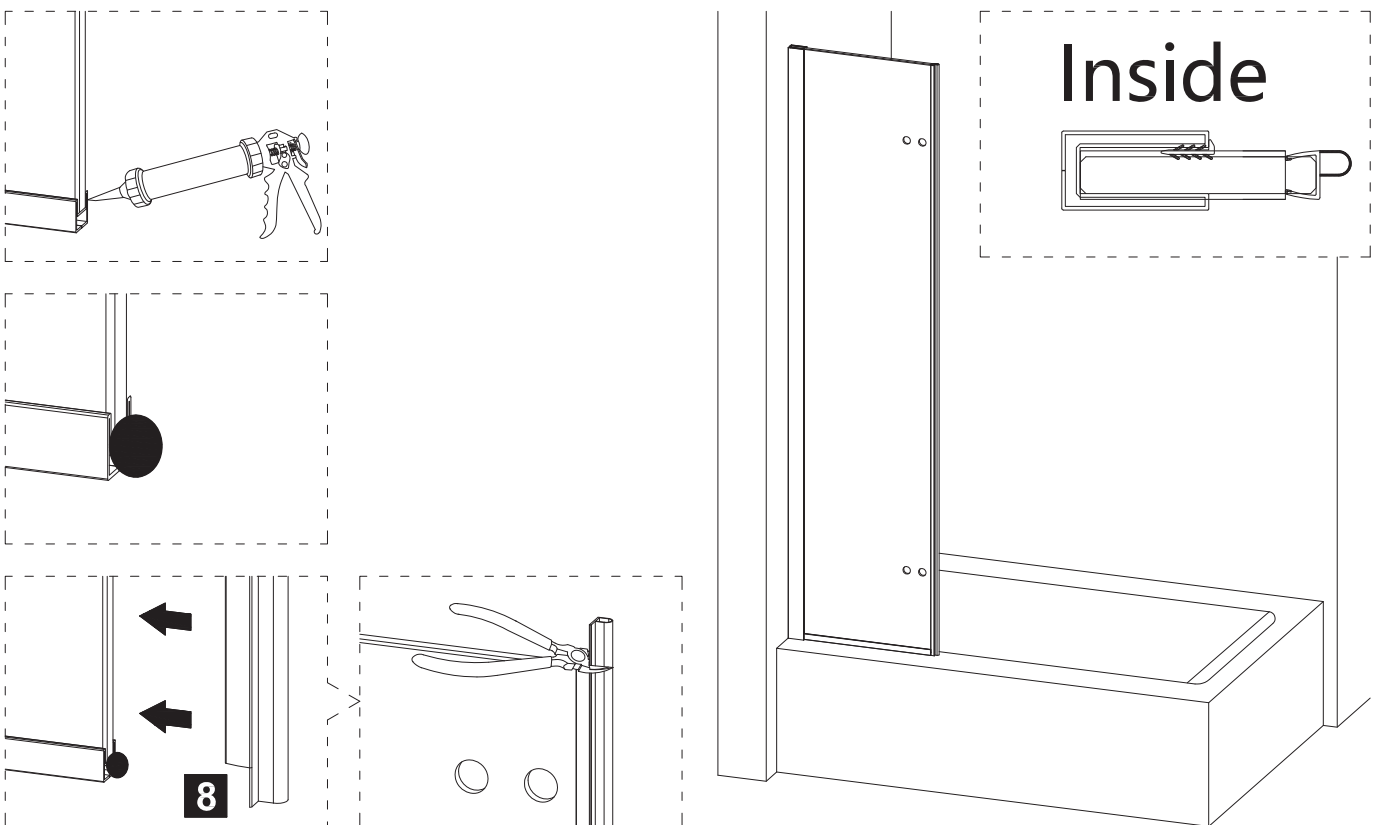
Step 3



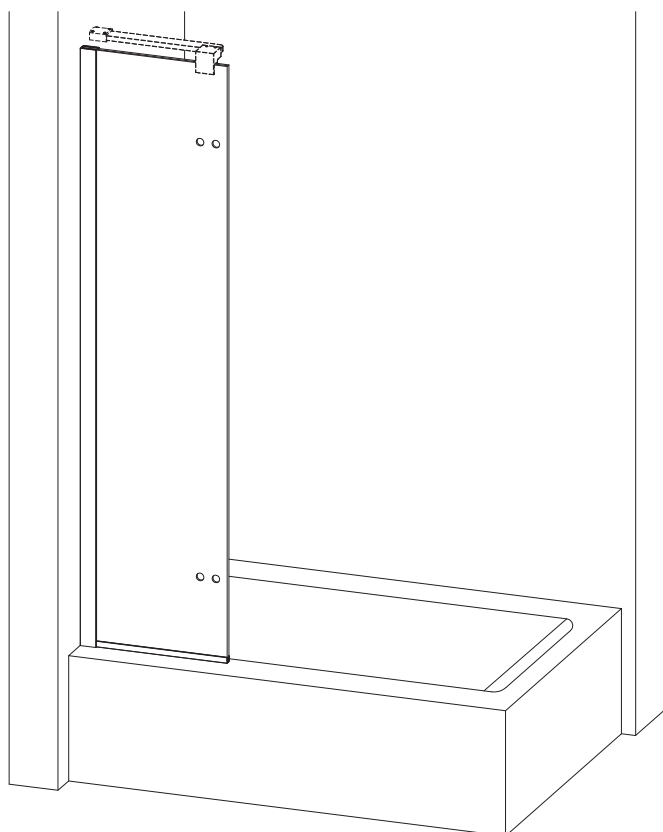
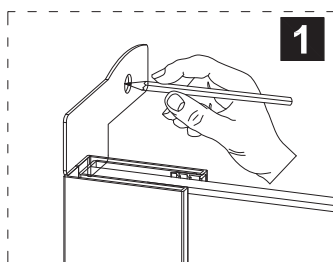
Step 4



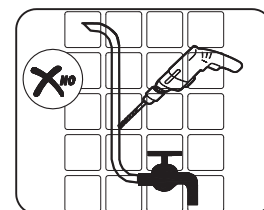
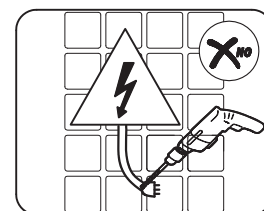
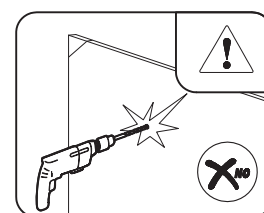
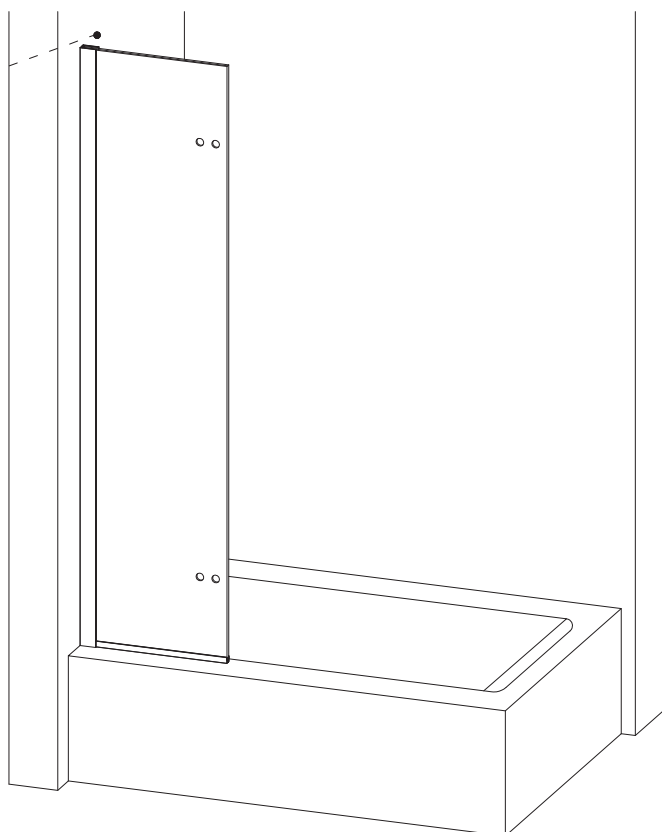
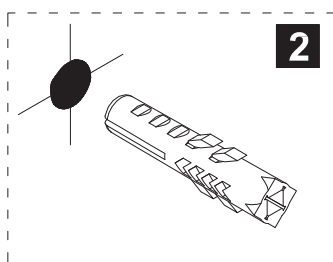
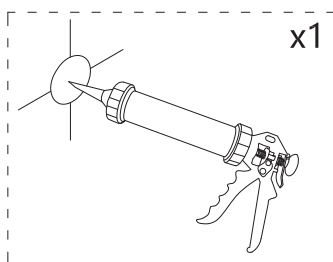
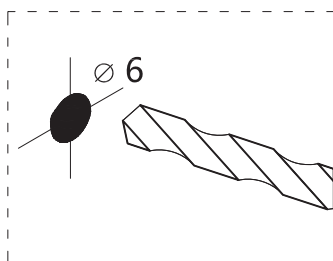
Step 5



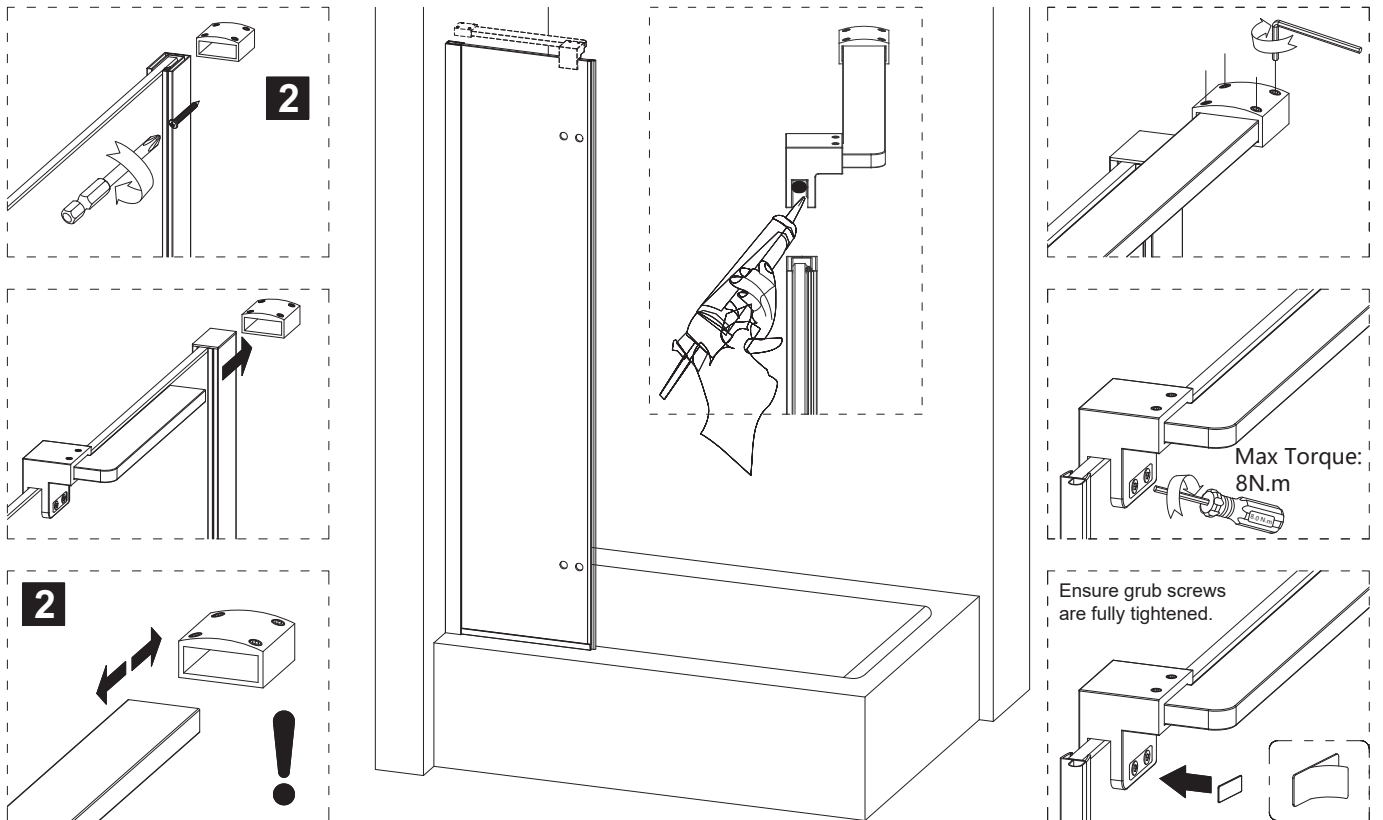
Step 6



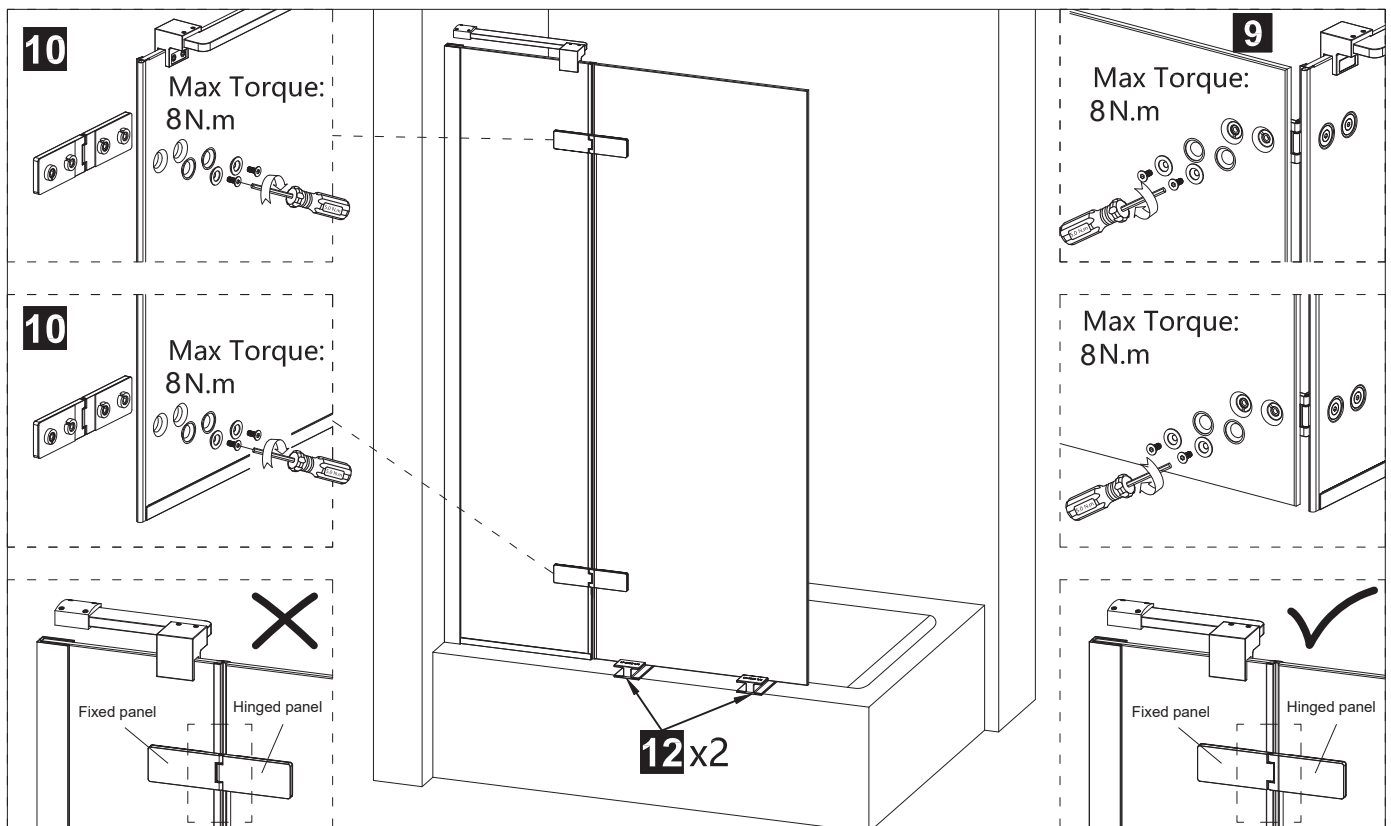
Step 7



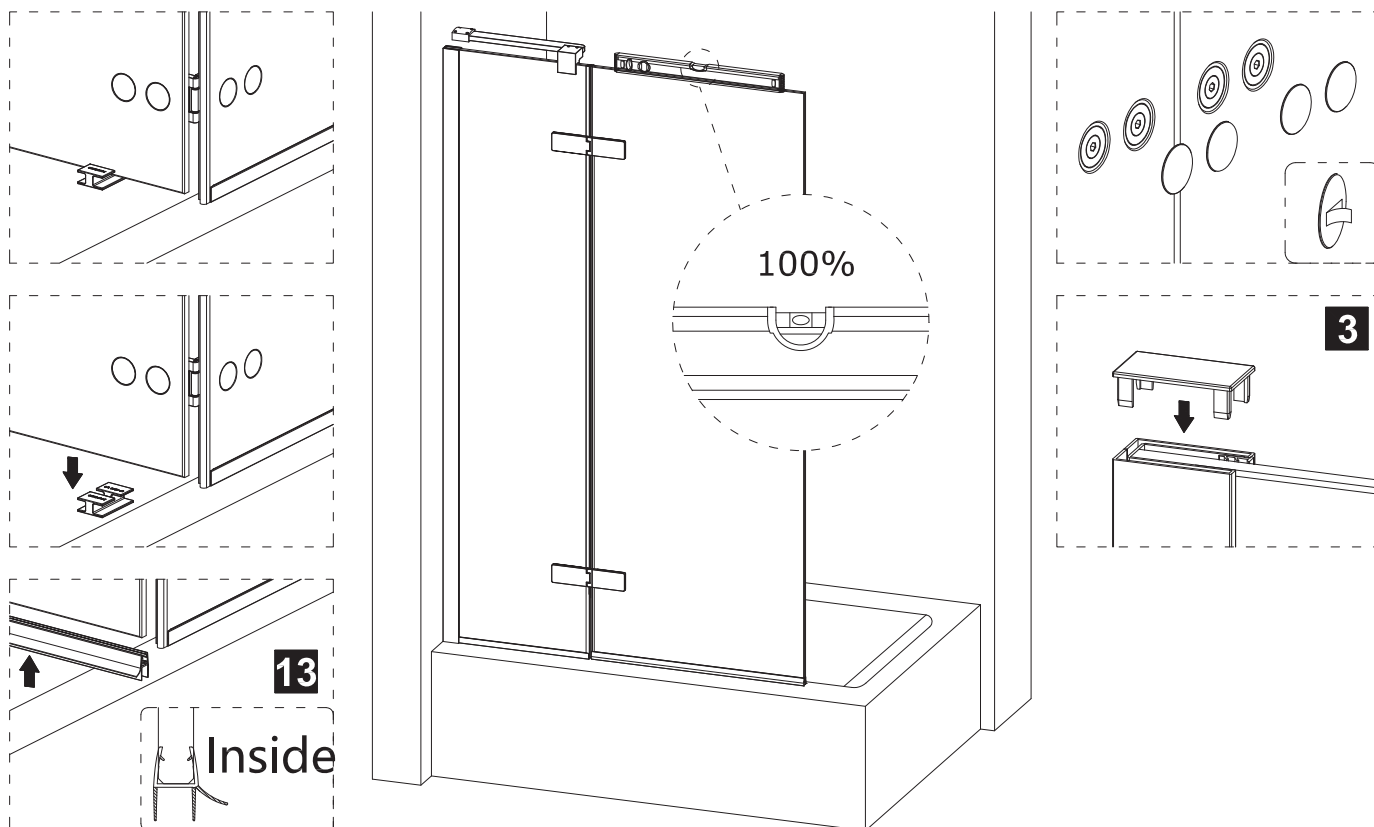
Step 8



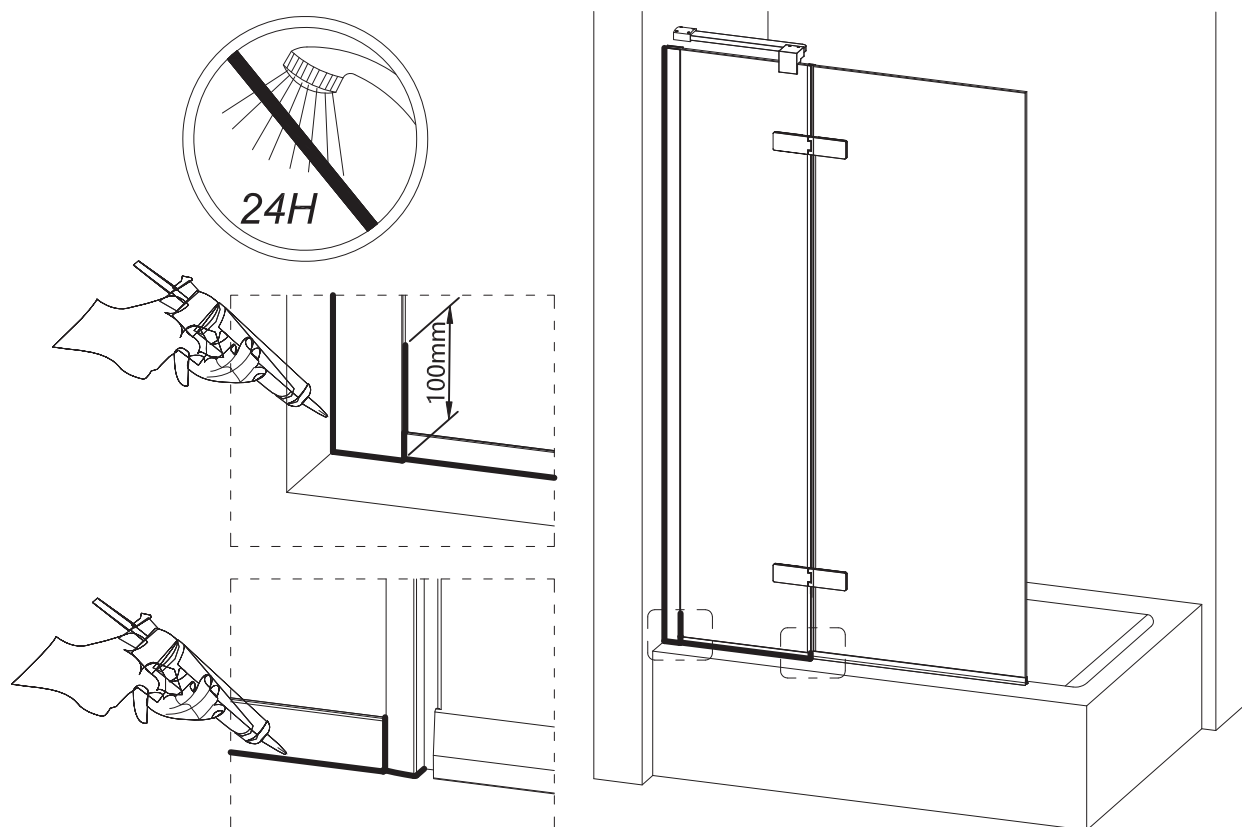
Step 9



Step 10



Step 11





For any further information please contact Crosswater
Phone number, 0345 873 8840
Website, www.crosswater.co.uk
Email address, sales@crosswater.co.uk
The manufacturer reserves the right to make technical
modifications without prior notice.