

Measurements in millimetres mm

Information updated May 2021

Tel 0345 873 8840

crosswater<sup>™</sup>

## Circus Counter Basin

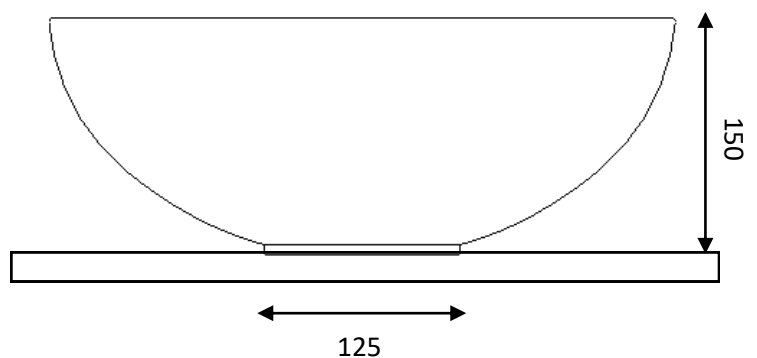
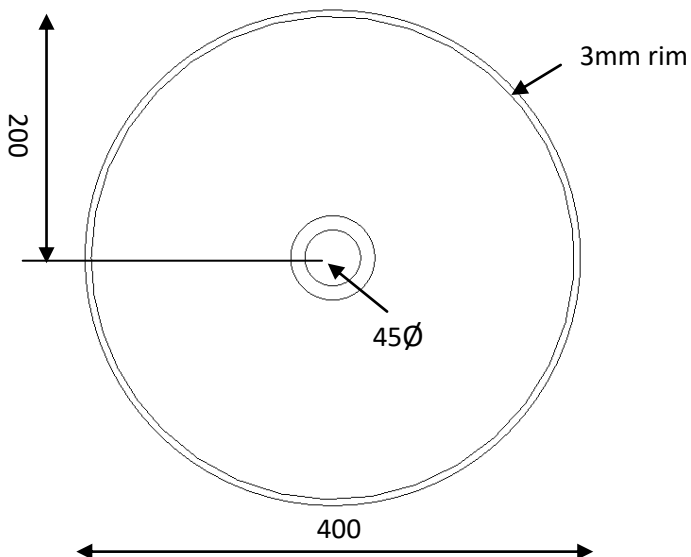


### TECHNICAL DATA

<b>CODE No</b>	CT4084UCF
<b>Recommended use</b>	Domestic, hotel, residential
<b>Application</b>	Countertop only
<b>Material</b>	Vitreous China
<b>Standards</b>	EN 14688 – CL 00 No overflow
<b>Colour</b>	Matt Brushed Brass effect exterior, matt cru interior finish
<b>Specification</b>	Counter top, NO tap hole No Overflow
<b>Fixing</b>	Counter top only
<b>Weight</b>	6.5 kg
<b>Warranty</b>	2 years (25 years when registered)

### SPECIFICATION

Dimensions w 400Ø x h 150mm  
No Overflow  
Hand glazed and finished



Sizes detailed could have a variation of about +/-5 % due to the changes to material characteristics during the firing processes. Exact measurements for individual installations can only be taken from the finished ceramic