

PRODUCT DATA SHEET



PRODUCT CODE

LM6100TST+

RANGE

Limit

DESCRIPTION

Limit Worktop 600 Steelwood

WEBSITE LINK [Click Here](#)

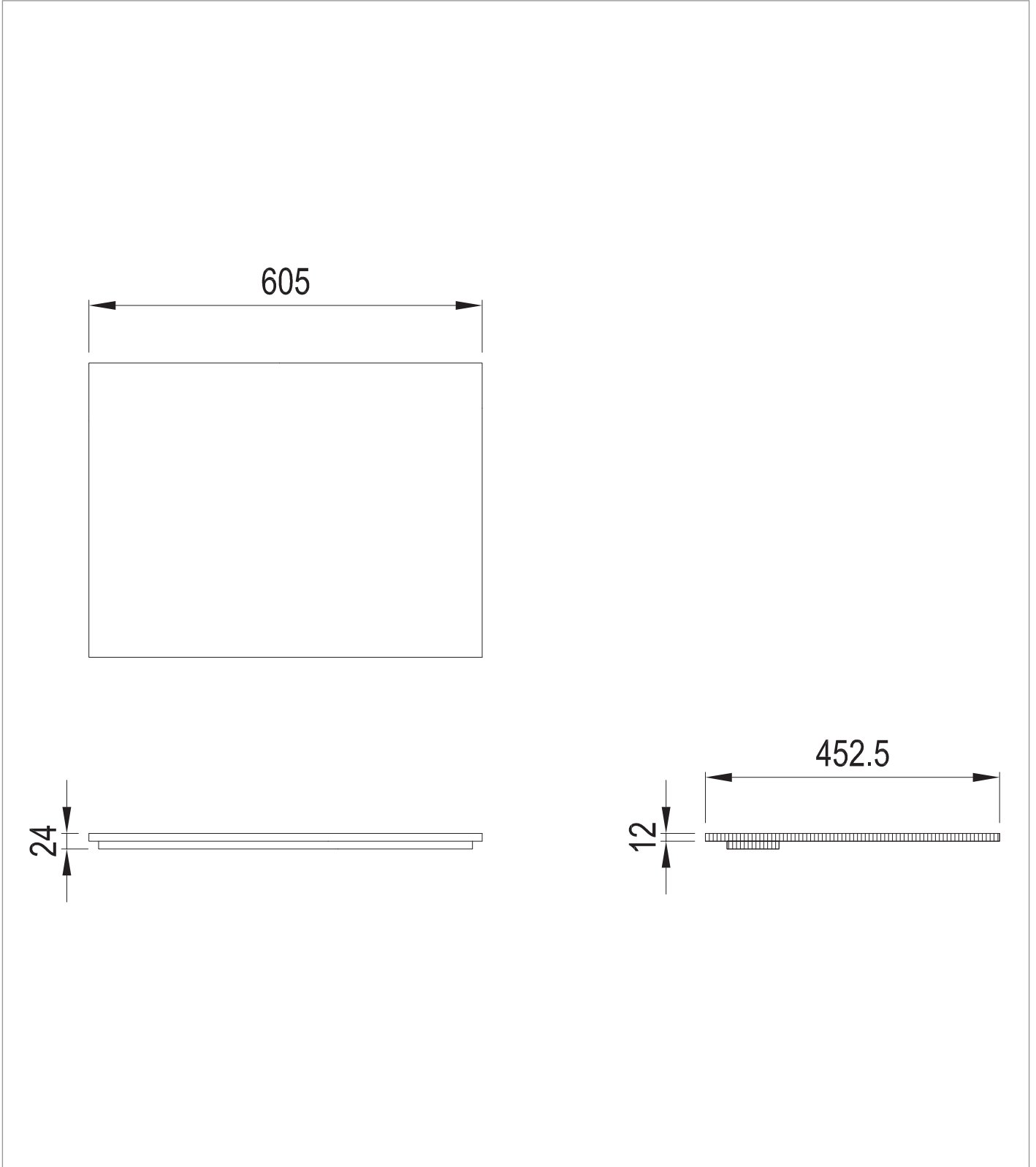
CATEGORY	Furniture
WARRANTY DETAILS	10 Years
COLOUR	Steelwood
PRIMARY MATERIAL	MFC
INSTALL TYPE	Furniture Mounted
PRODUCT WIDTH MM	605
PRODUCT HEIGHT MM	12
PRODUCT DEPTH MM	452.5
PRODUCT NET WEIGHT KG	2.93

DRAWER BOX	MFC
ADJUSTABLE FEET	No

TECHNICAL DIMENSIONS

Dimensions in mm unless otherwise specified.

Tolerances (per material type) apply.



SPARES LIST

Only the parts labelled are available as spares.

NO SPARES AVAILABLE