

Measurements in millimetres mm

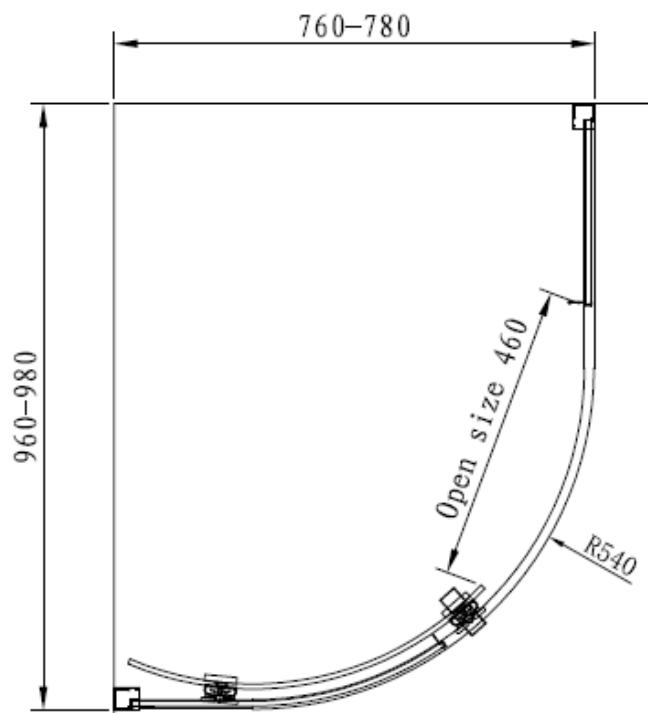
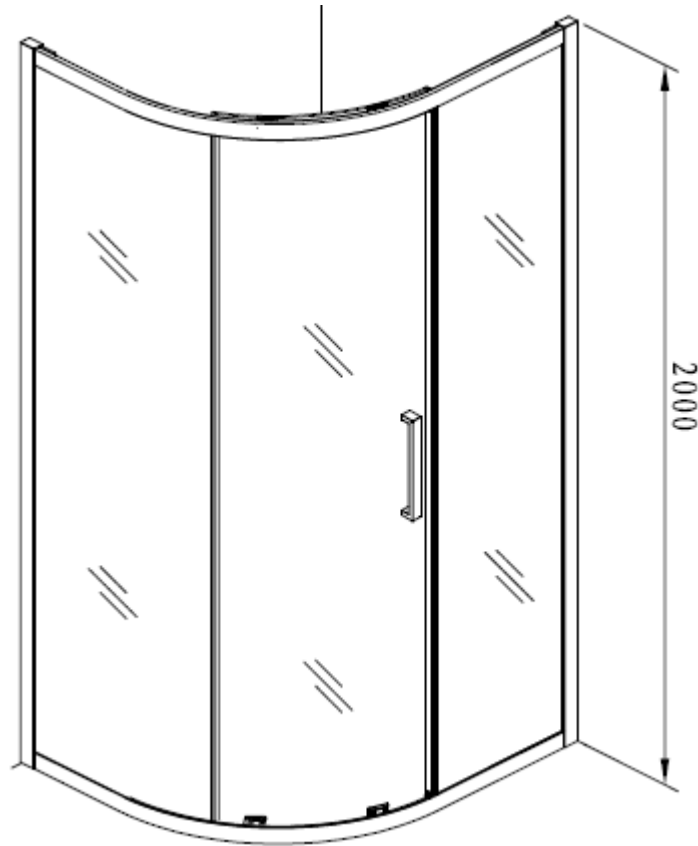
Information updated April 2020

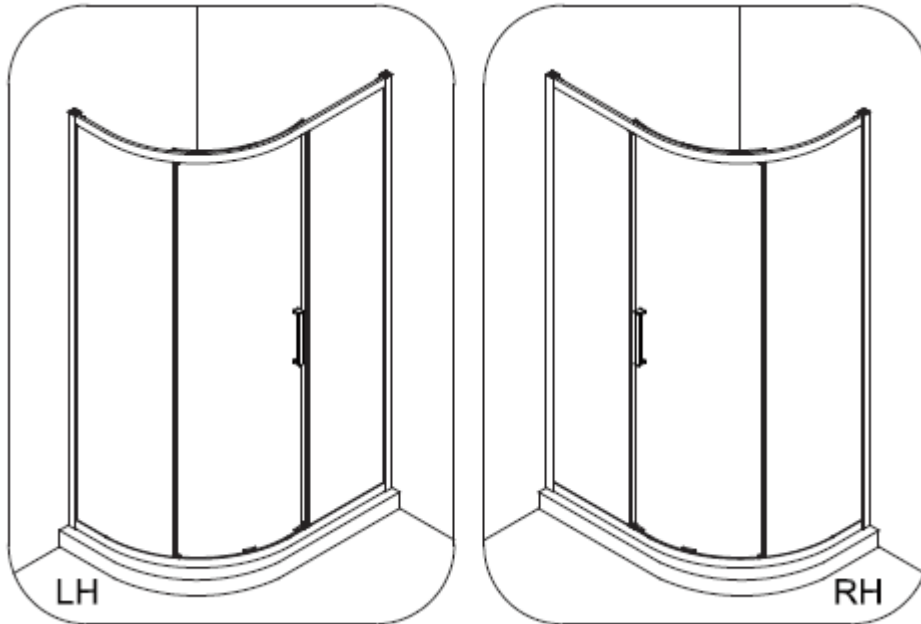
Tel 0345 873 8840









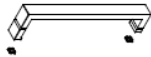




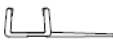
crosswater™

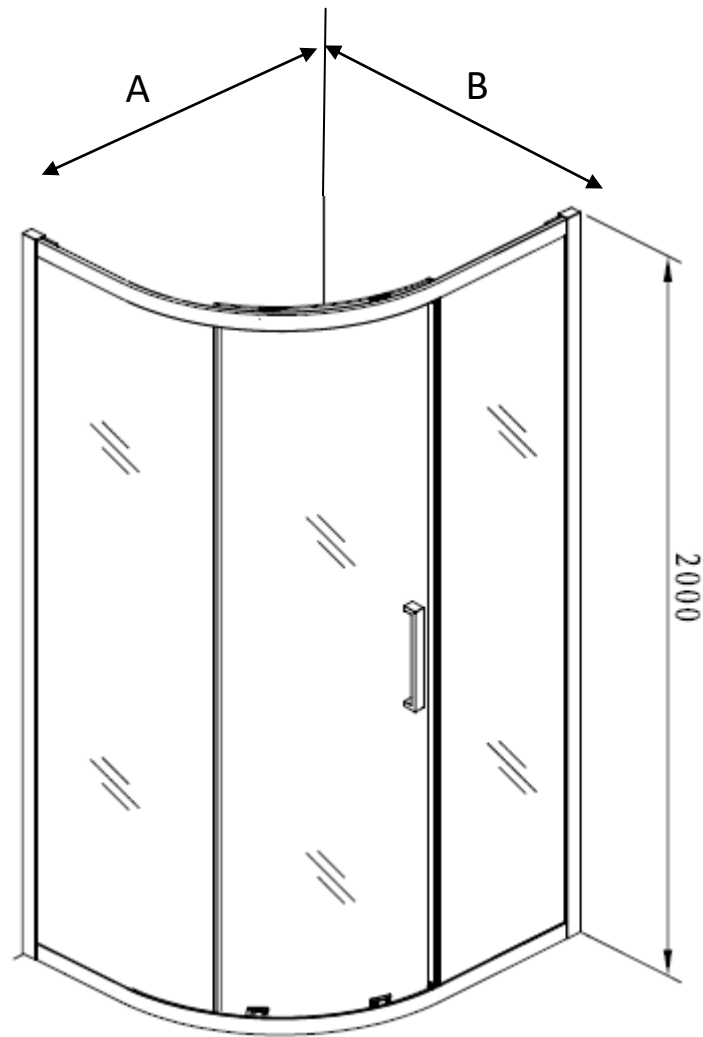
INFINITY 8 SINGLE DOOR QUADRANT

IQSSC10X8+





A	 <p>Wall Plug x 6</p>	F  <p>Decoration cover x 4</p>	K  <p>Short Side waterproof strip II x 1</p>
B	 <p>ST4 * 40mm Screw x 6</p>	G  <p>ST4 * 14mm Screw x 4</p>	L  <p>Roller II x 2</p>
C	 <p>ST4 * 30mm Screw x 8</p>	H  <p>Cover for taper sleeve x 4</p>	M  <p>Handle x 1</p>
D	 <p>Adjustment block x 4</p>	I  <p>Roller I x 2</p>	N  <p>4mm Allen Key x 1</p>
E	 <p>Side waterproof strip I x 1</p>	J  <p>Long Side waterproof strip II x 1</p>	



Model	A (mm)	B (mm)
IQSSC0900+	860~880	860~880
IQSSC10X8+	760~780	960~980
IQSSC12X8+	760~780	1160~1180
IQSSC12X9+	860~880	1160~1180