

## Completion Concealed Box

### Mounting Instructions

Pressure range min/max 0,5/5 bar

(in case of water pressure higher than 5 bar we recommend installing pressure reducers).

Recommended pressure 3 bar.

Operation:

Either with gas or electric accumulation boilers.

Centralised systems.

---

Safety lock at: 41° C

Min. Working temperature: 3° C

Min. recommended: 15° C

Max. Working temperature: 70° C

Max. recommended: 65° C

Recommended thermal differential 50° C

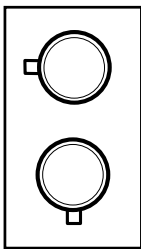
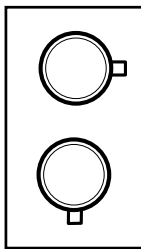
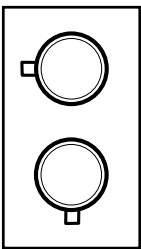
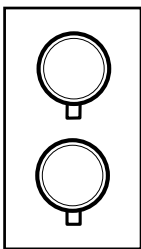
Thermal disinfection is allowed.

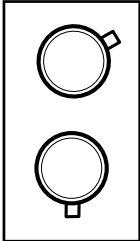
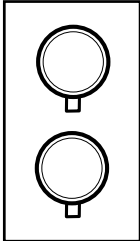
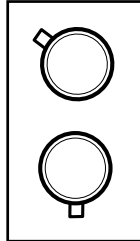
Safety system with flow stop in case of lack of one of the two waters.

---

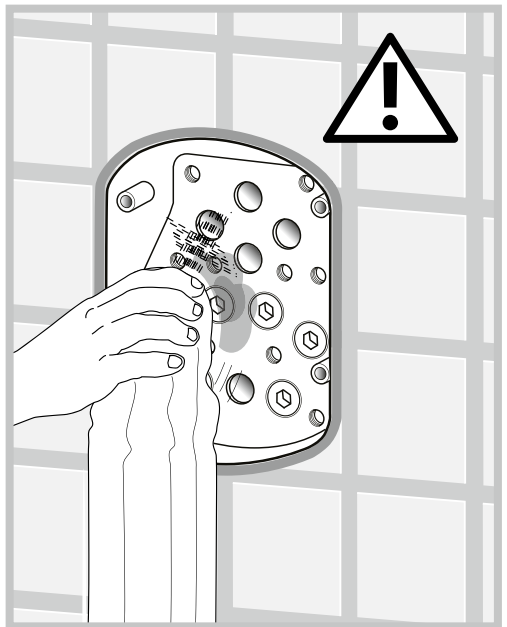
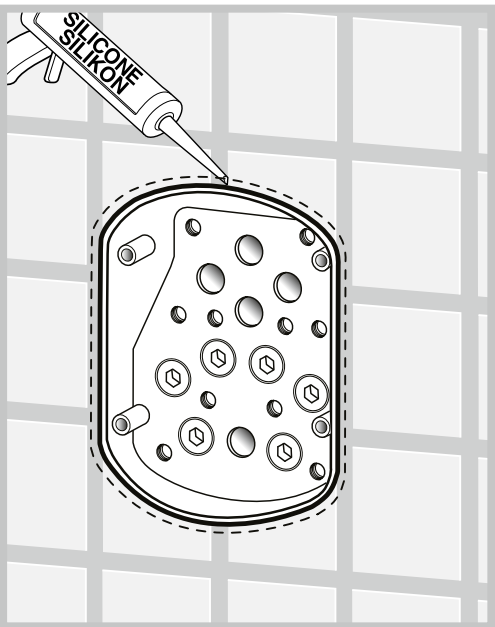
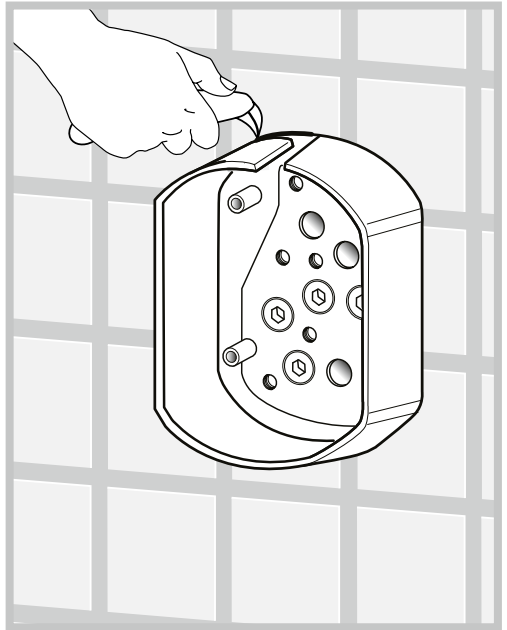
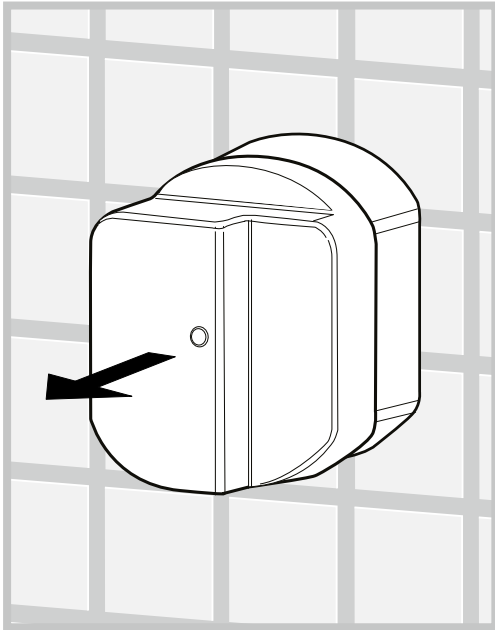
***Warning: contact the plumber for the choice of the best water heating device.***

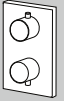
<b>Press.</b>	<b>FLOW RATE ( L/min )</b>
---------------	----------------------------

bar	Term. 1 way	Term. 2 way		
	 Exit 1/2/3	 Exit 2	 Exit 3	 Mix
0,5	8,2	8,2	8,2	9,2
1	11,7	11,7	11,7	13,2
2	16,7	16,4	16,4	18,7
3	20,7	20	20	22,9
4	24	23	23	26,4
5	26,6	25,8	25,8	29,5

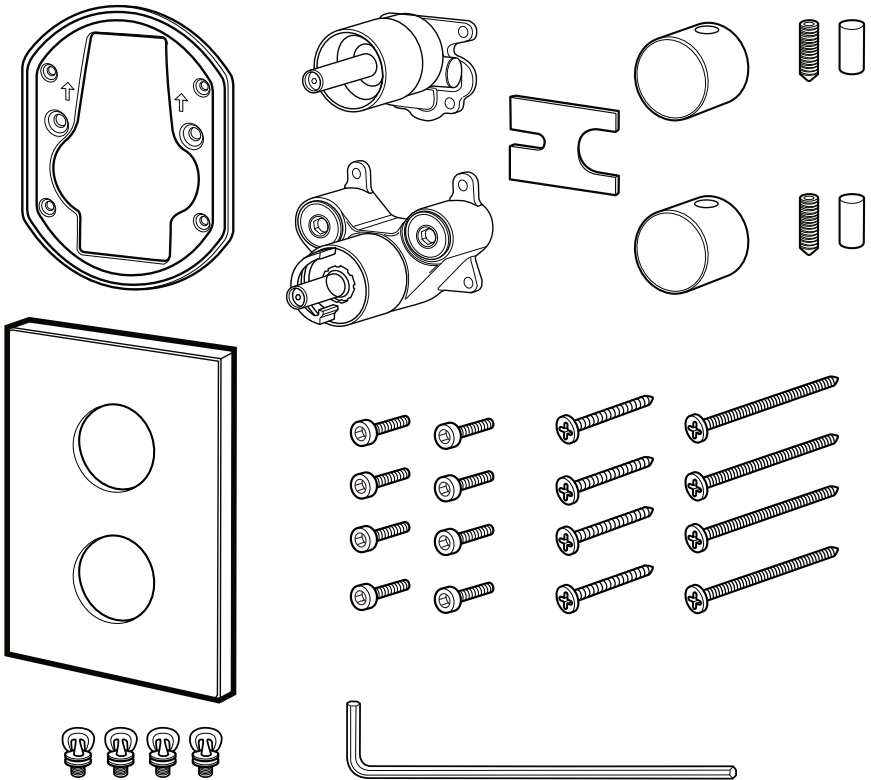
Press.	FLOW RATE ( L/min )			
<b>Term. 3 ways</b>				
<b>bar</b>				
	<b>Exit 1</b>	<b>Exit 2</b>	<b>Exit 3</b>	
	<b>0,5</b>	<b>9,4</b>	<b>8,1</b>	<b>8,1</b>
	<b>1</b>	<b>13,4</b>	<b>11,6</b>	<b>11,6</b>
	<b>2</b>	<b>19,2</b>	<b>16,6</b>	<b>16,6</b>
	<b>3</b>	<b>23,7</b>	<b>20,5</b>	<b>20,5</b>
	<b>4</b>	<b>27,4</b>	<b>23,8</b>	<b>23,8</b>
<b>5</b>	<b>30,5</b>	<b>26,6</b>	<b>26,6</b>	







THERMOSTATIC 1-2-3 WAYS

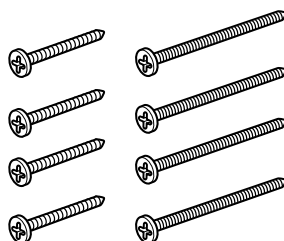
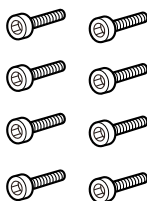
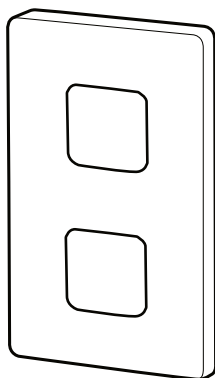
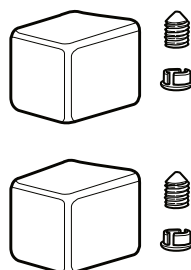
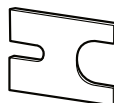
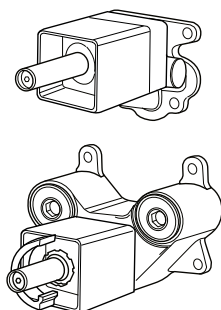
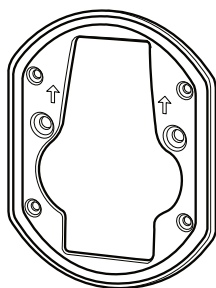


GB Mounting Instructions

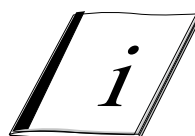




THERMOSTATIC 1-2-3 WAYS

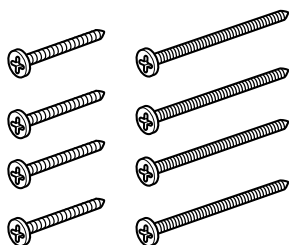
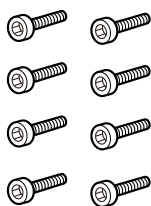
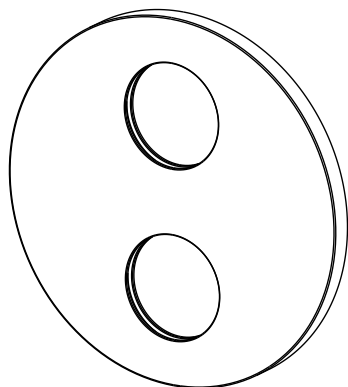
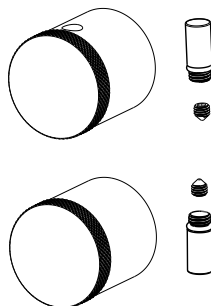
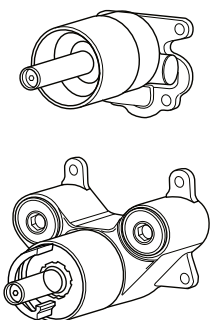
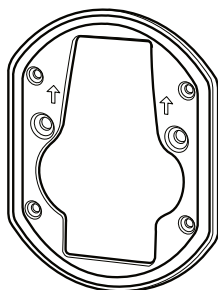


GB Mounting Instructions



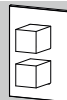


THERMOSTATIC 1-2-3 WAYS

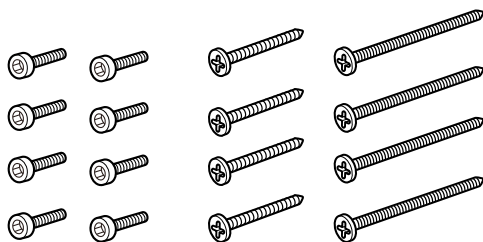
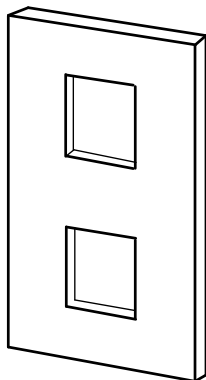
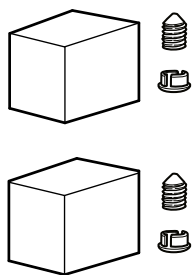
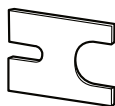
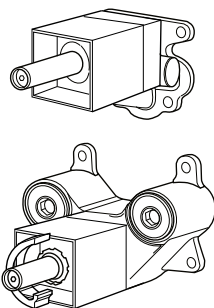
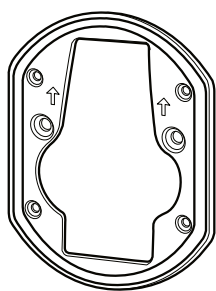


GB Mounting Instructions





THERMOSTATIC 1-2-3 WAYS

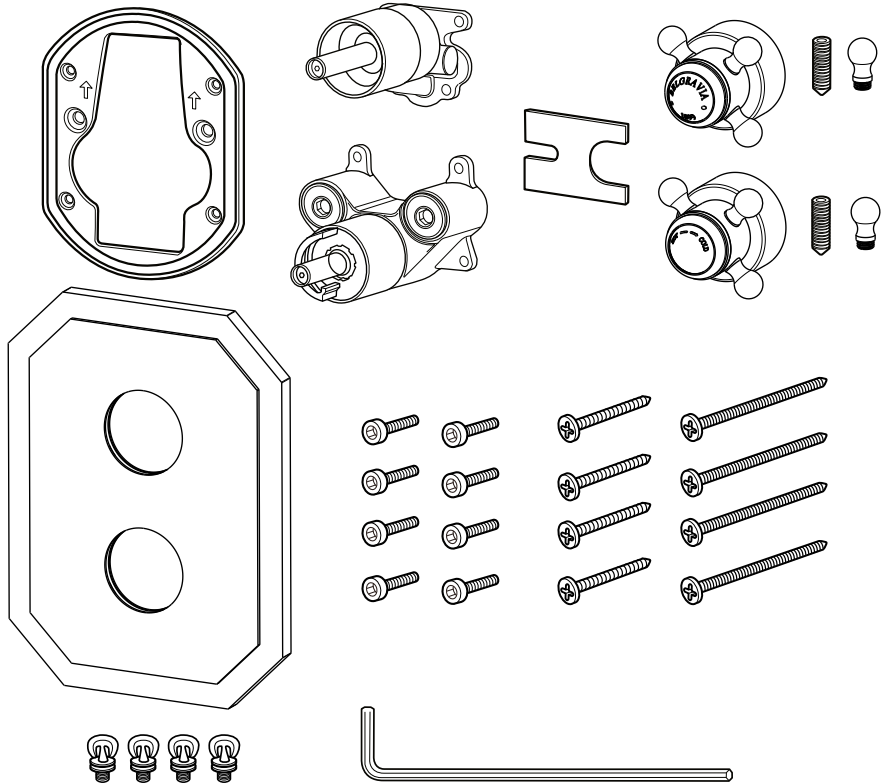


GB Mounting Instructions



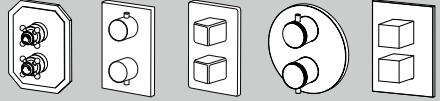


THERMOSTATIC 1-2-3 WAYS

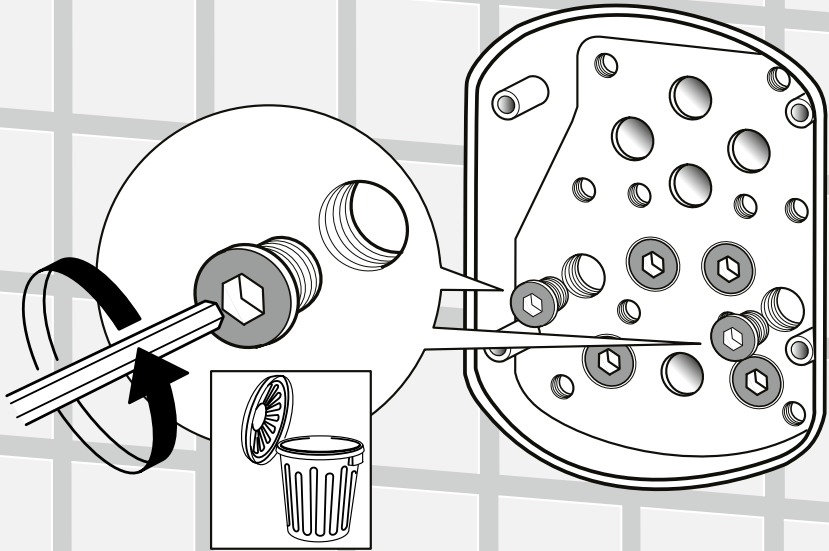


GB Mounting Instructions

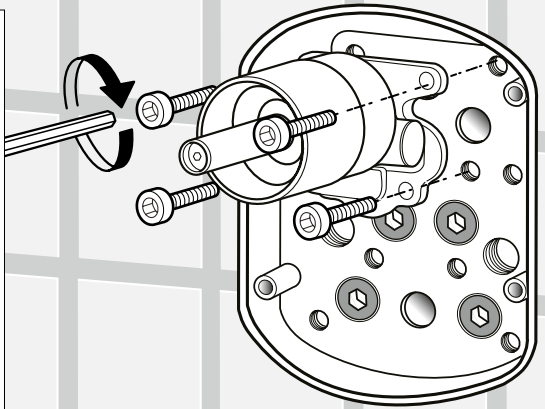
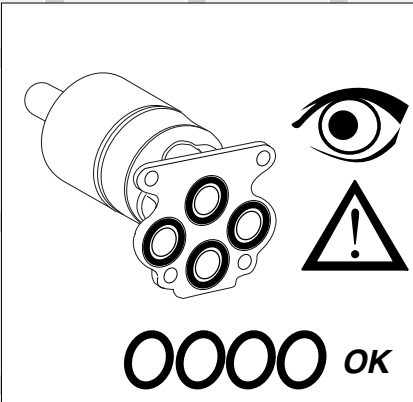


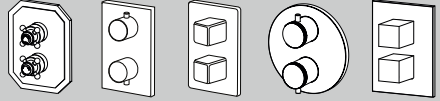


1

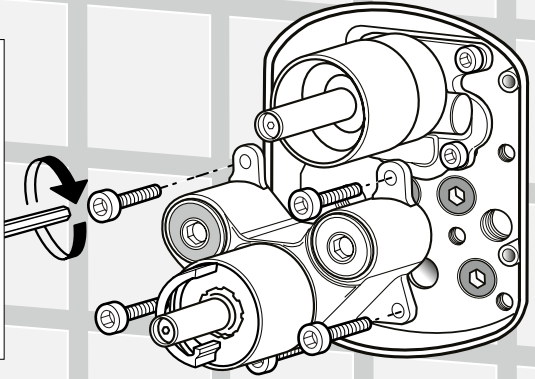
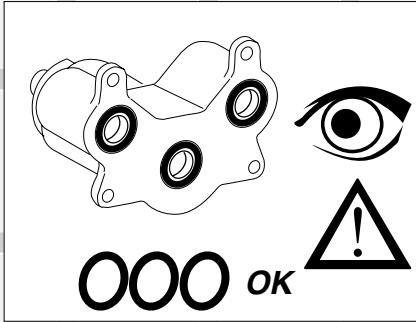


2

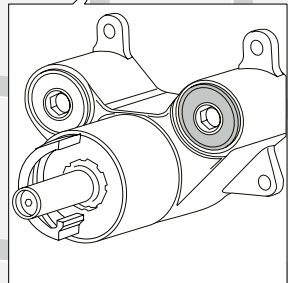
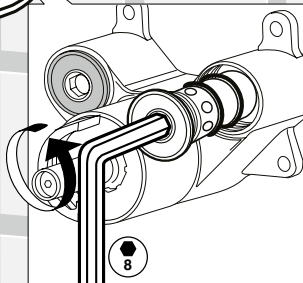
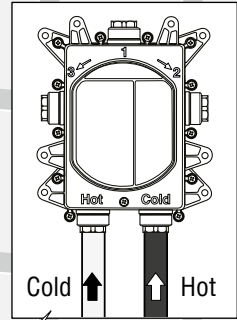
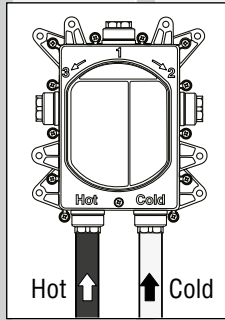
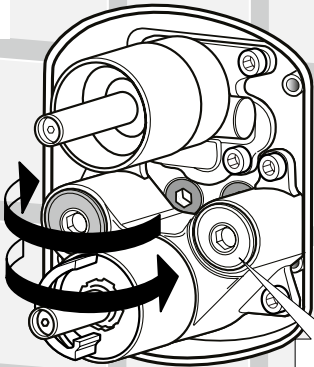




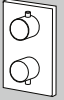
3



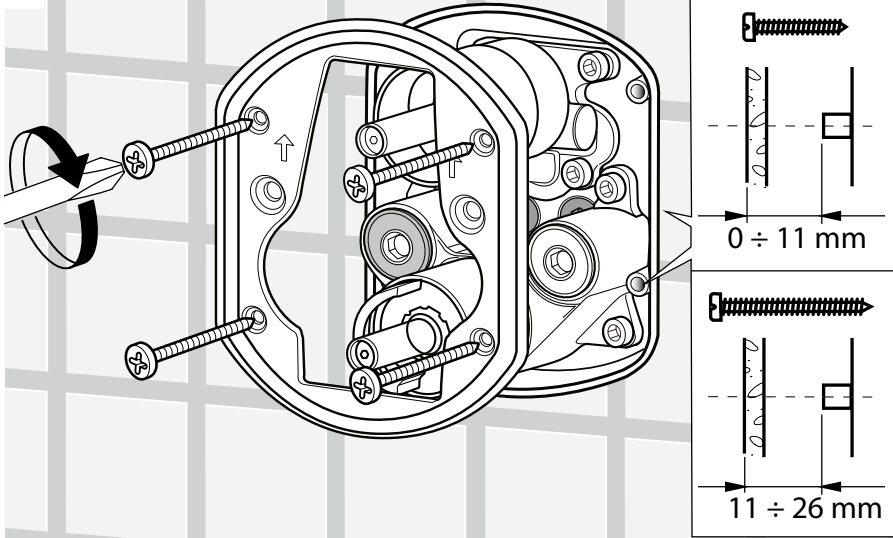
4



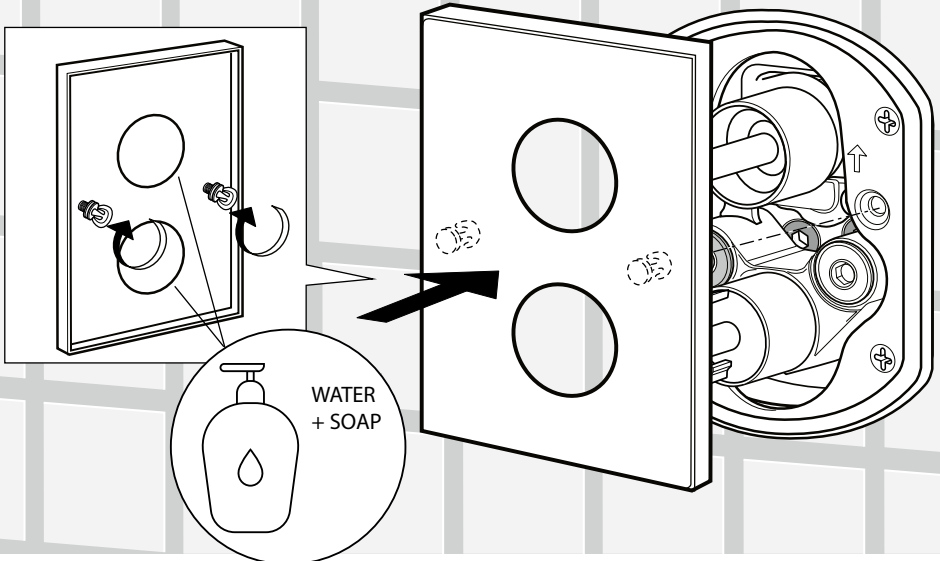


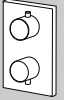


5

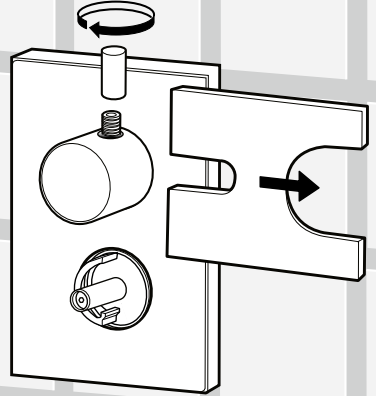
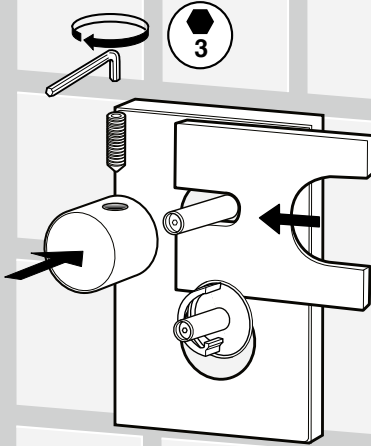


6A

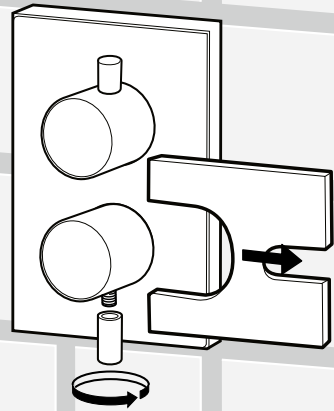
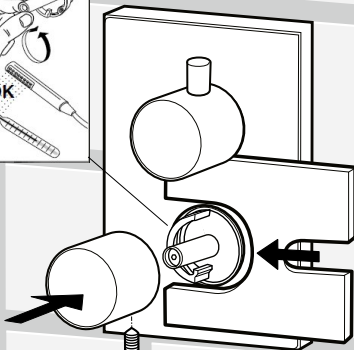


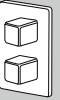


7A

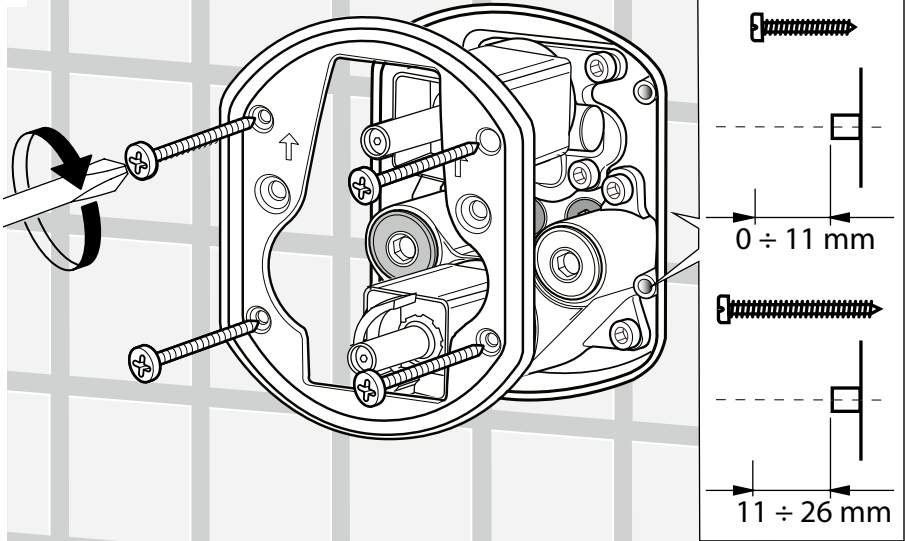


8A

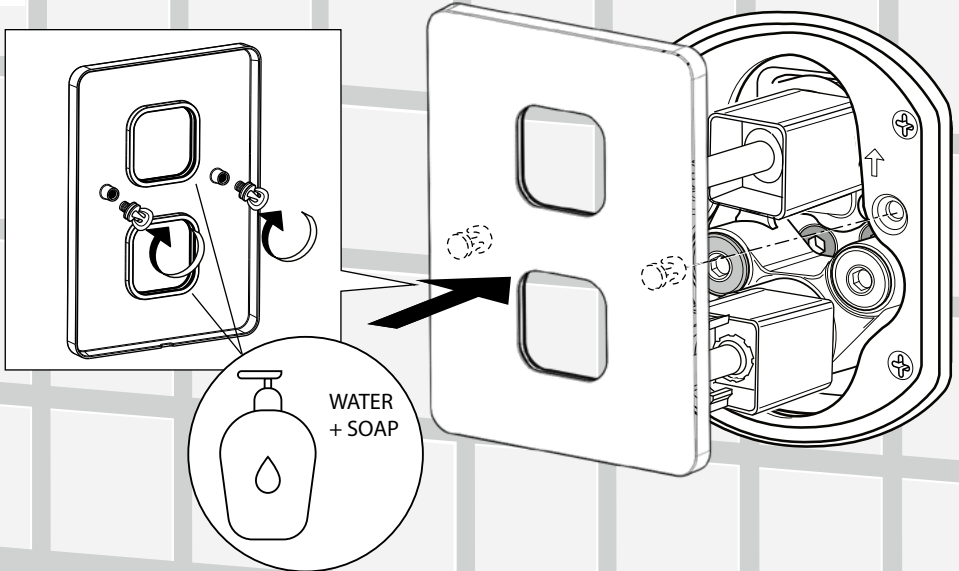


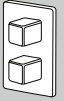


5

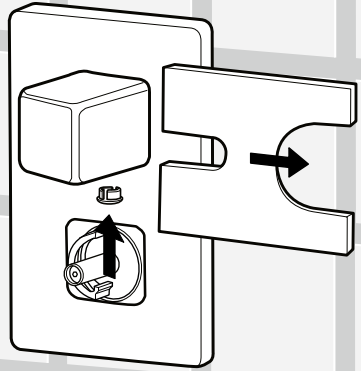
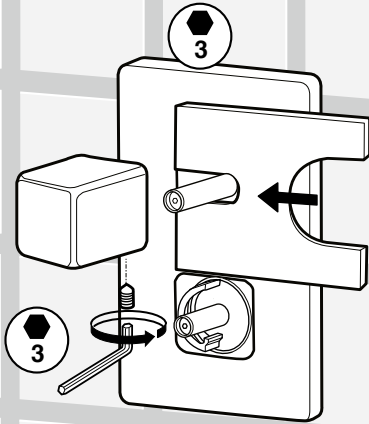


6B

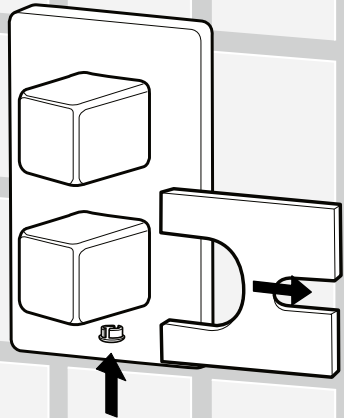
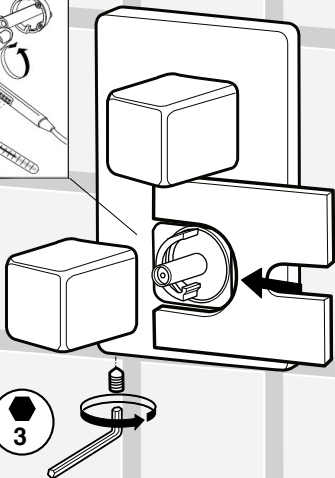




7B

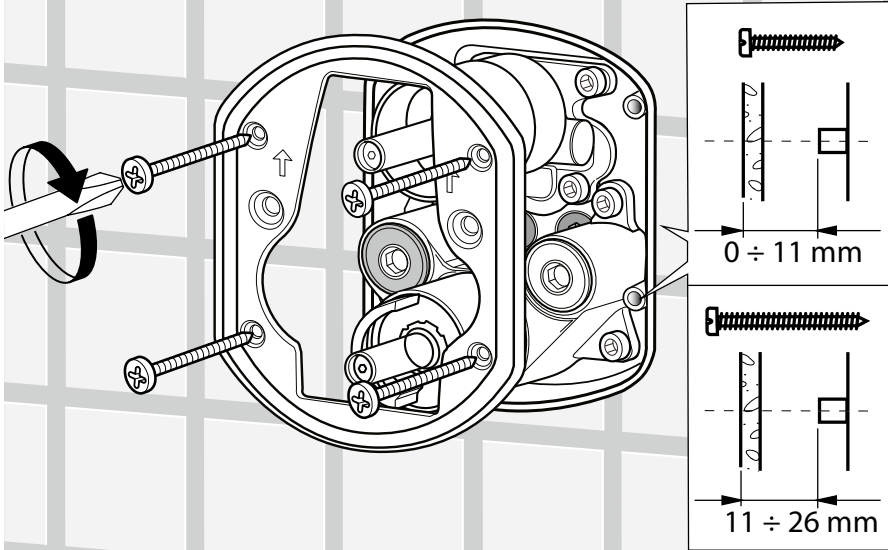


8B

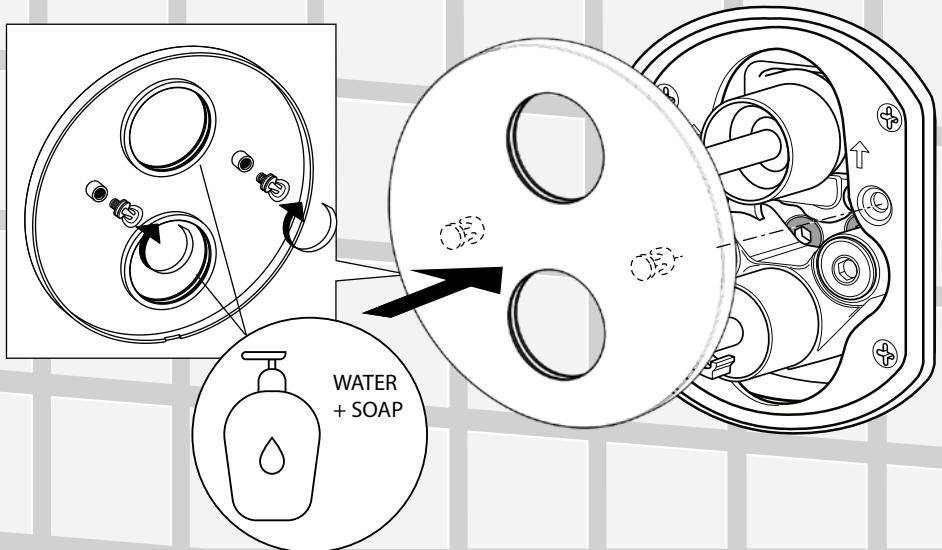




5

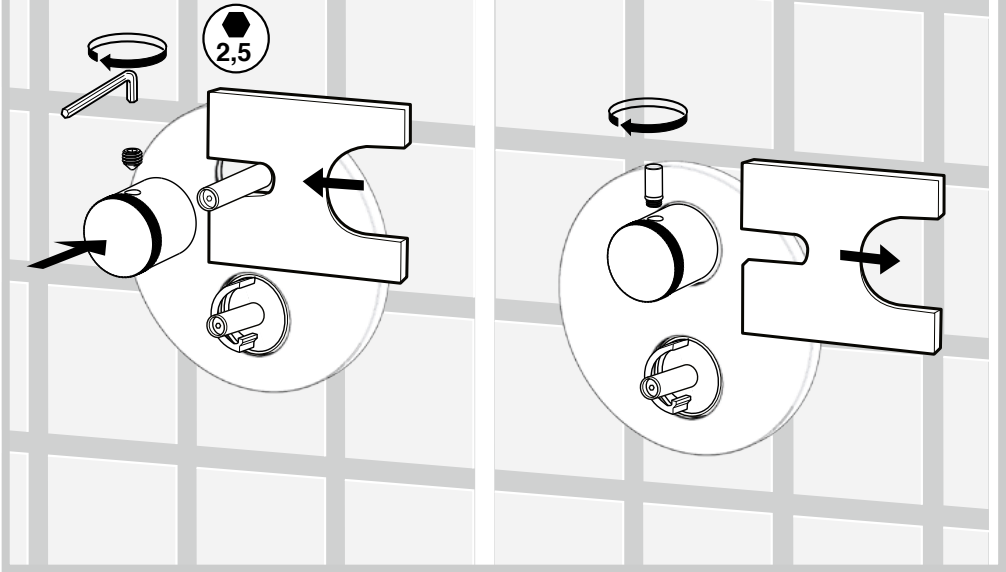


6C

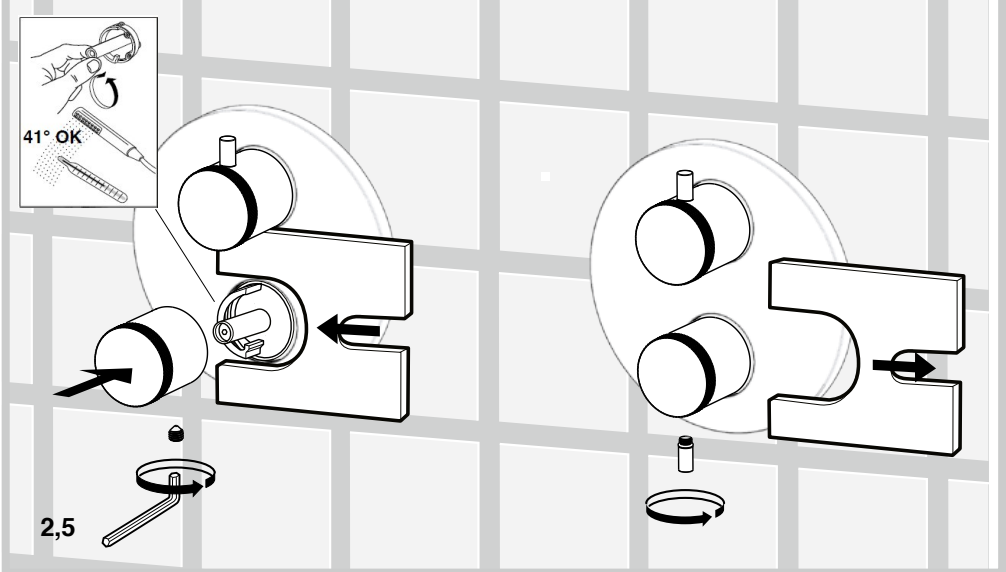


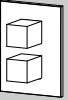


7C

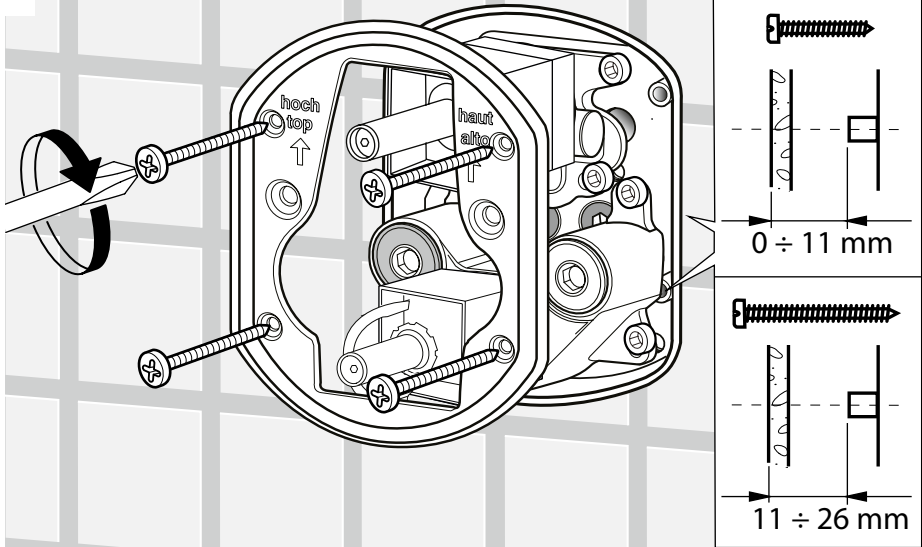


8C

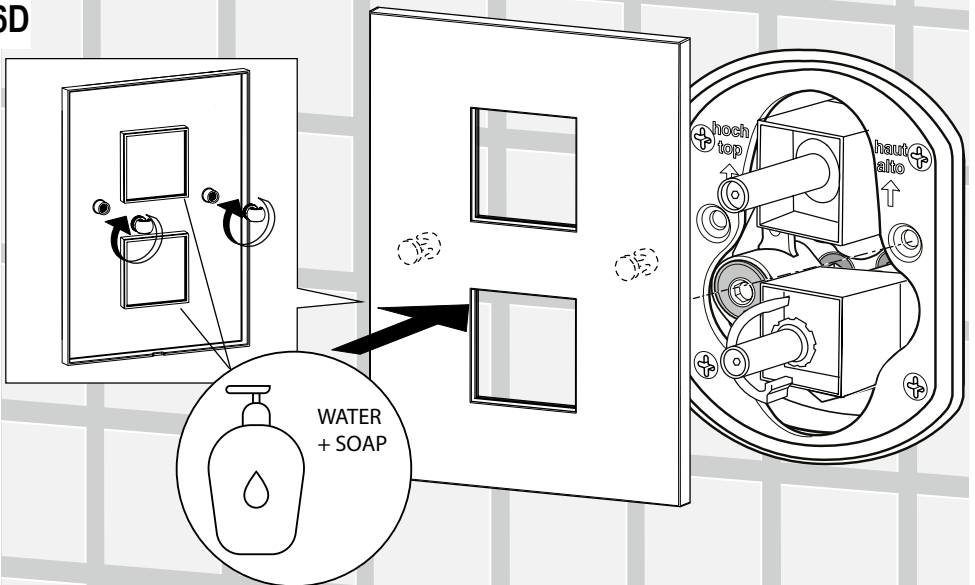


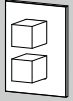


5

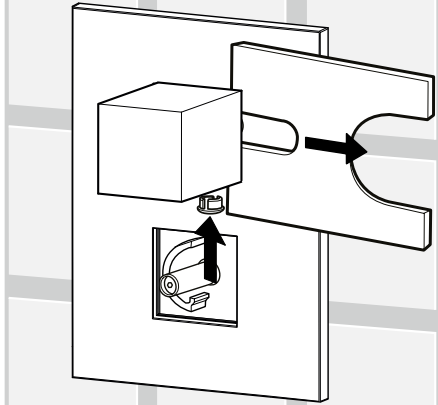
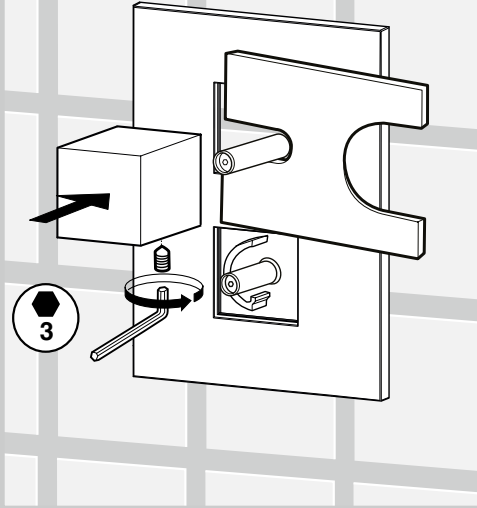


6D

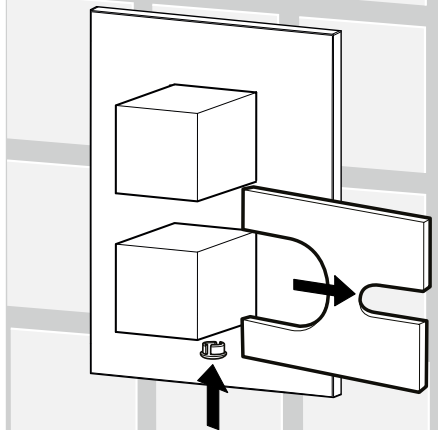
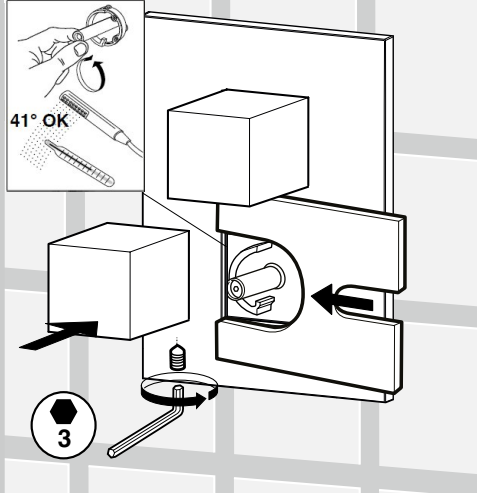




7D



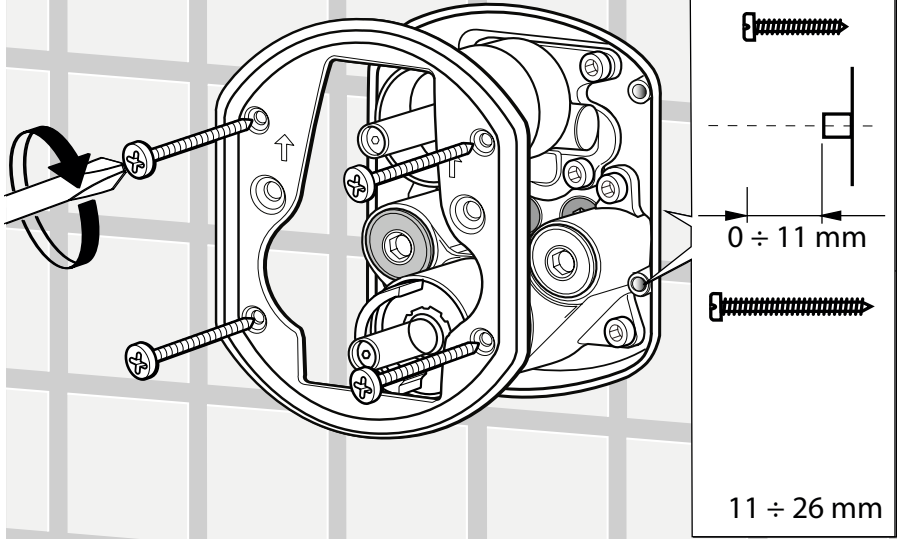
8D



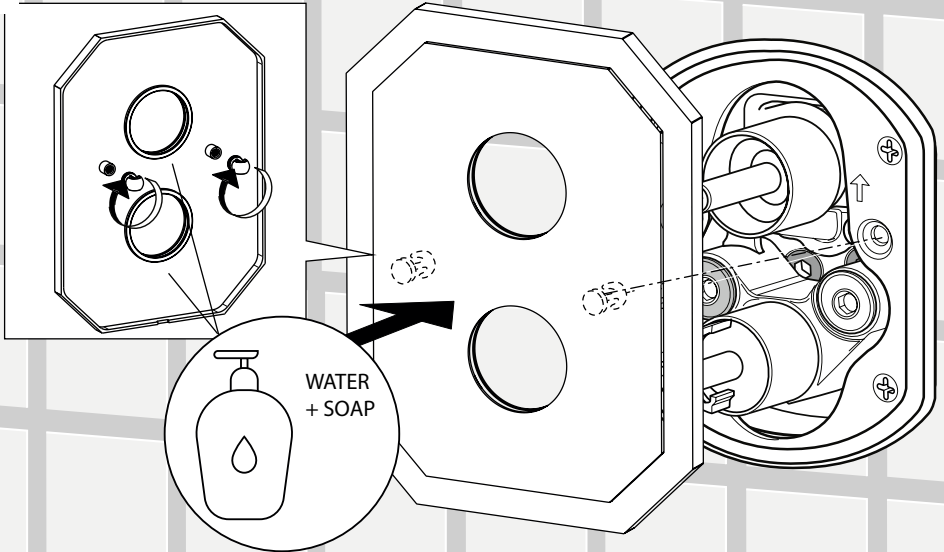




5

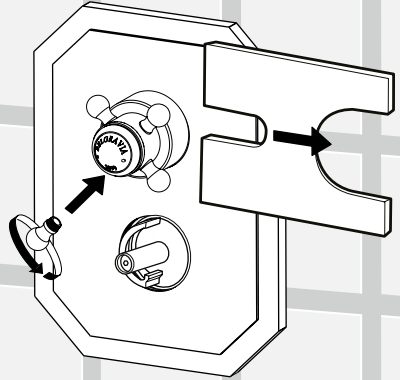
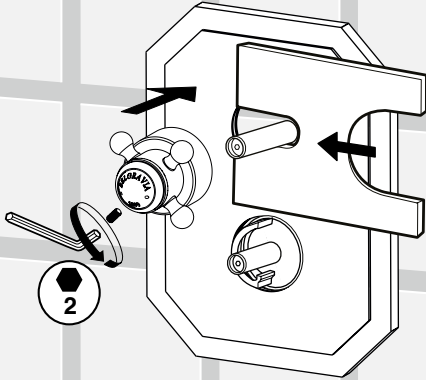


6E

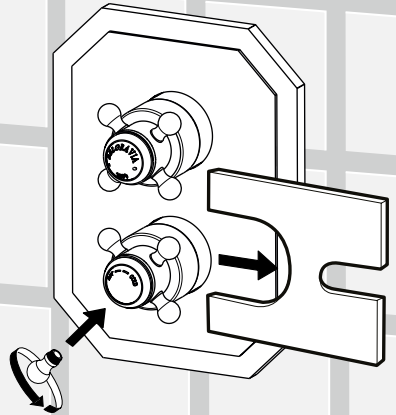
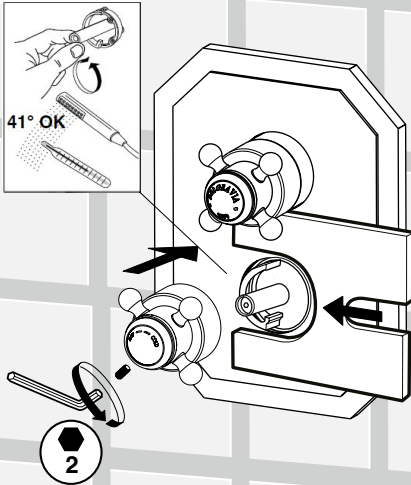


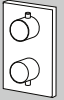


7E

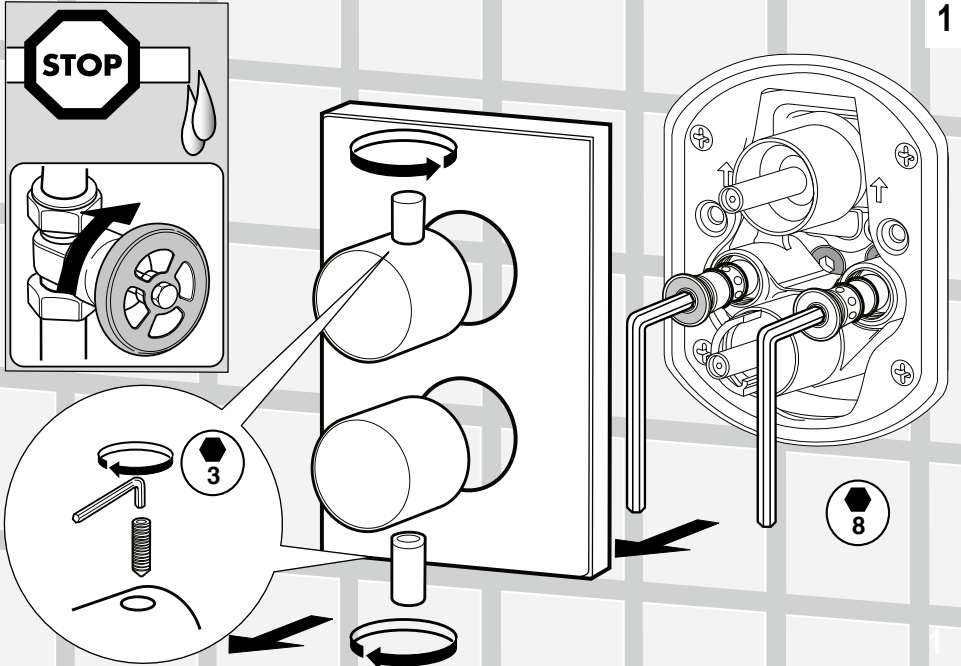


8E

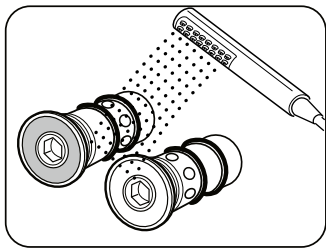
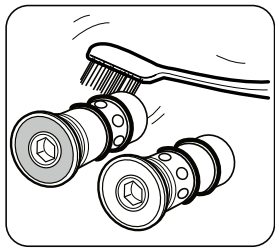
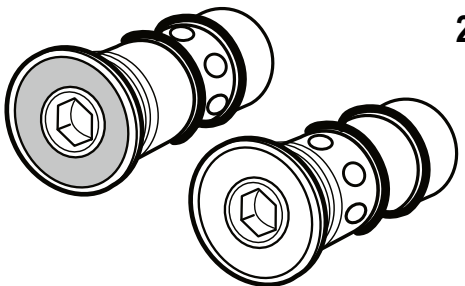
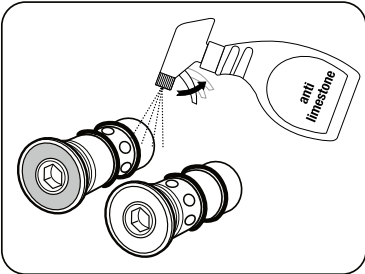


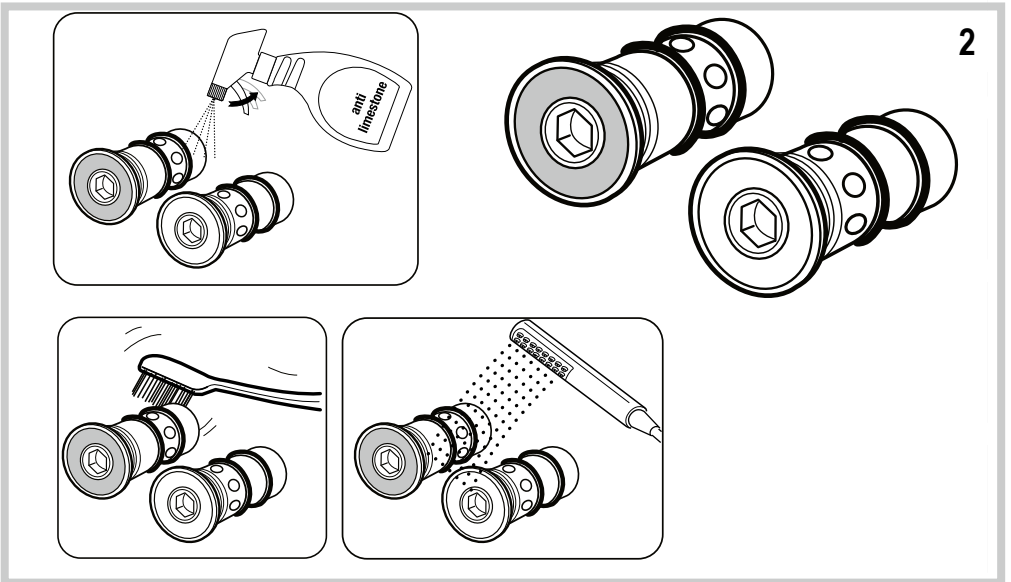
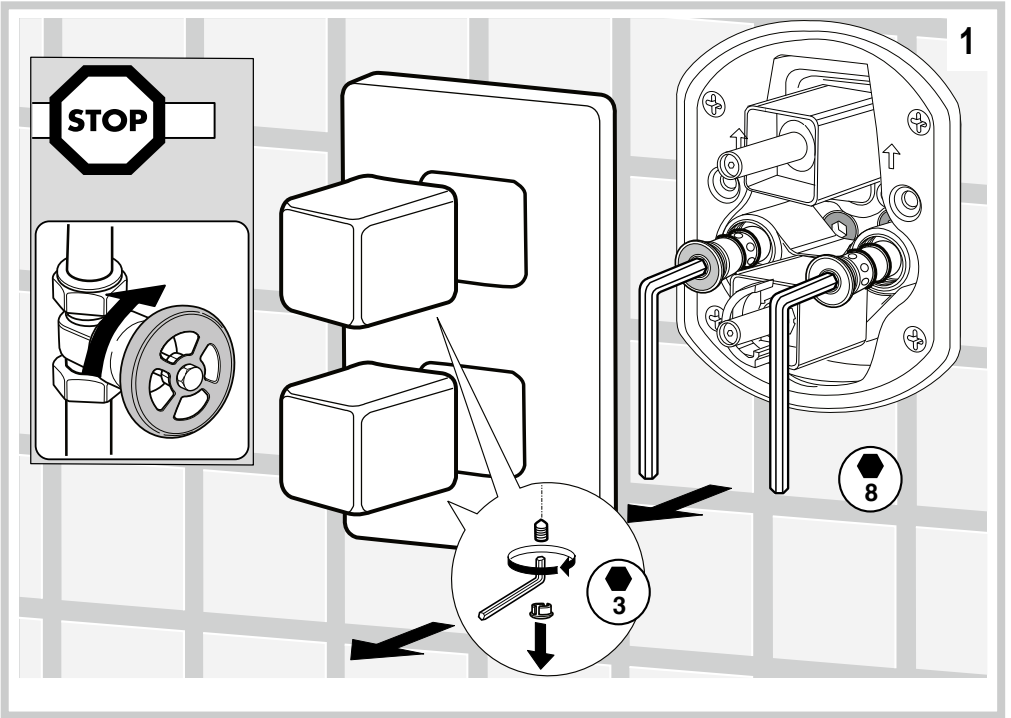
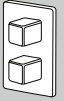


1



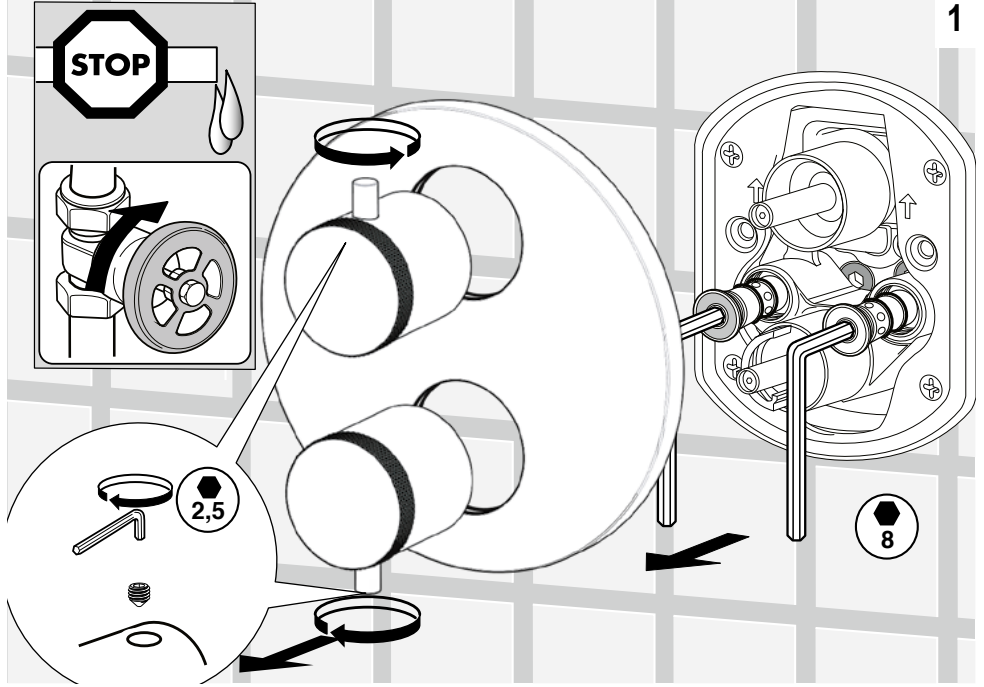
2



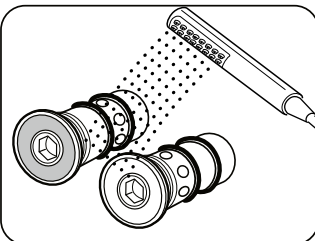
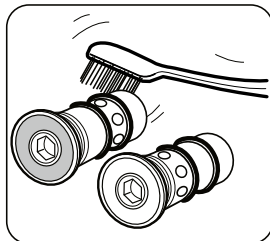
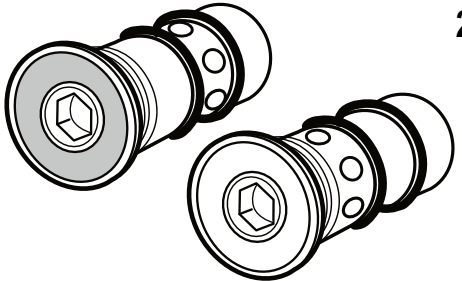
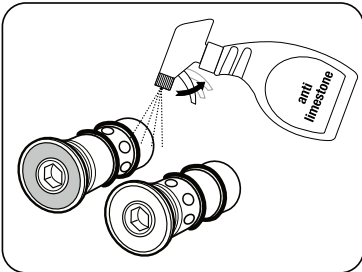


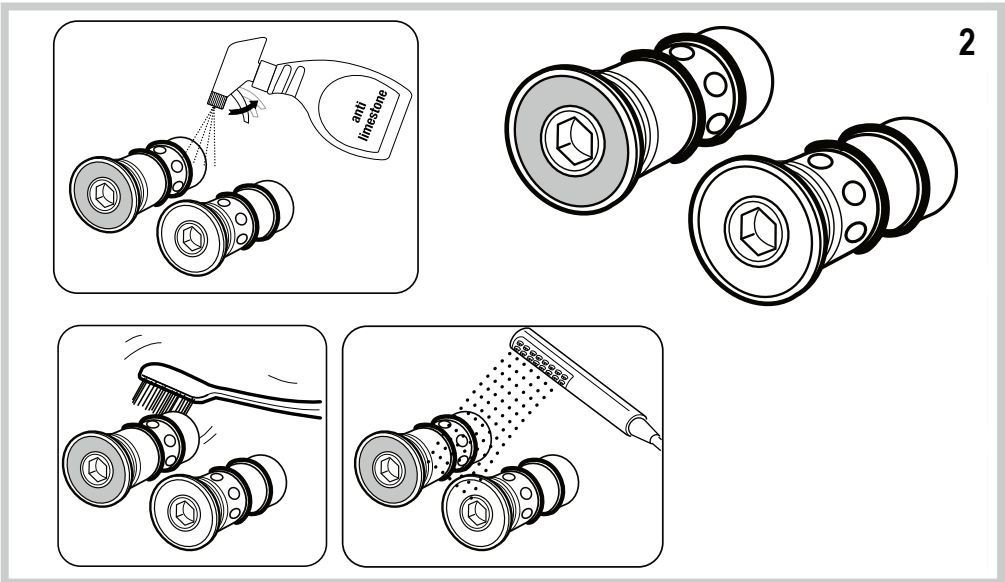
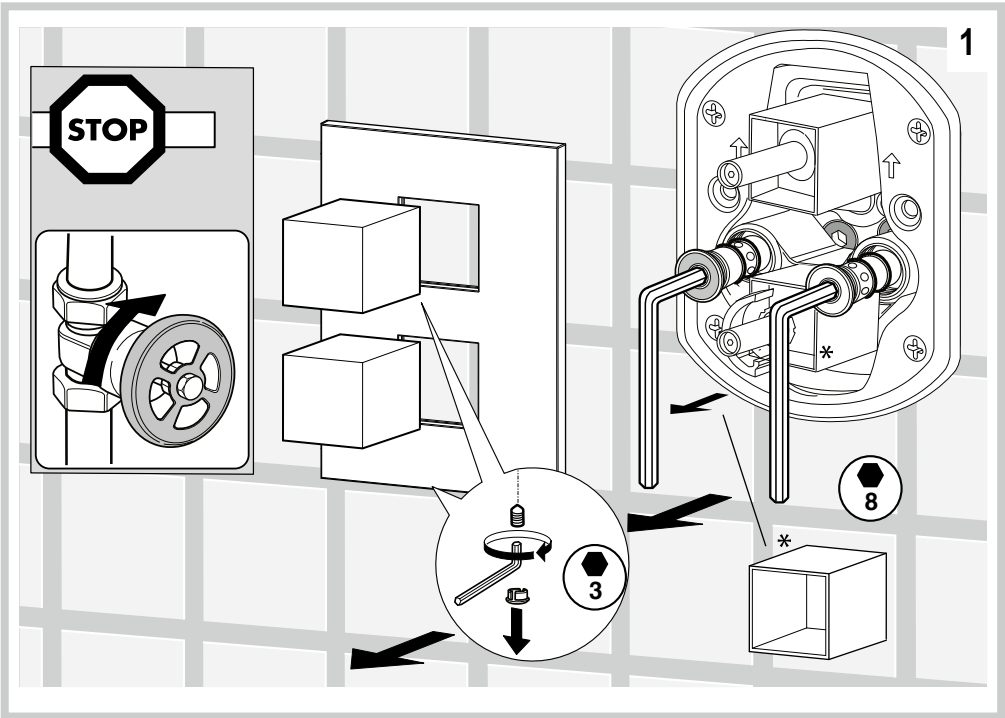


1



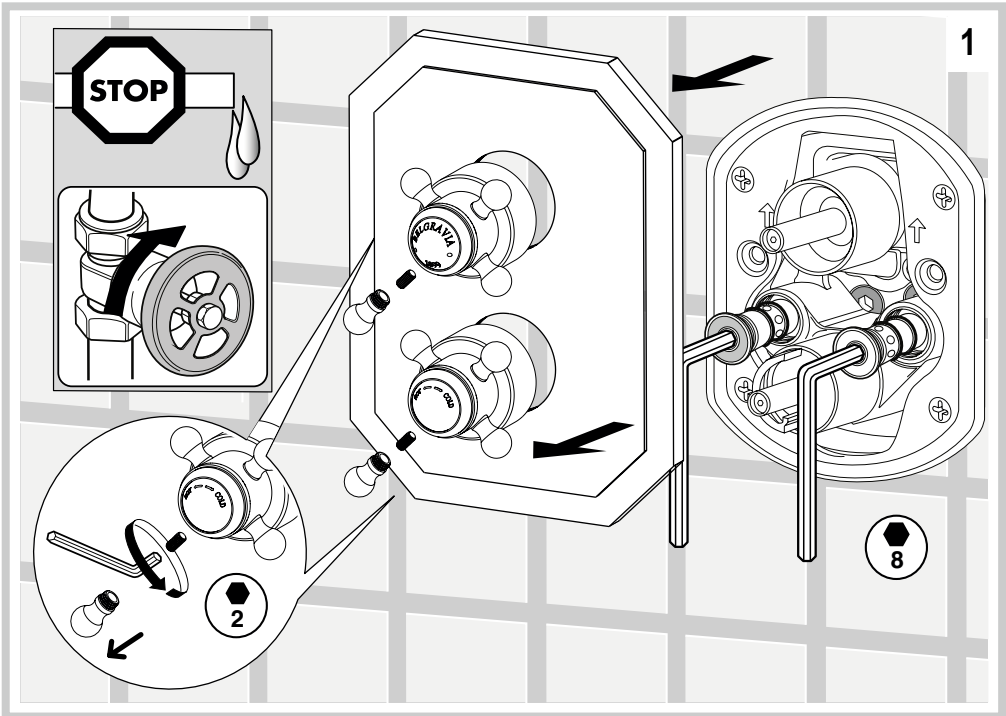
2



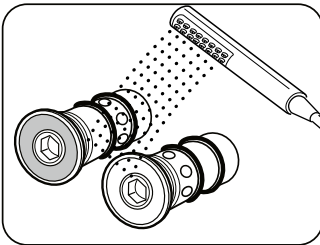
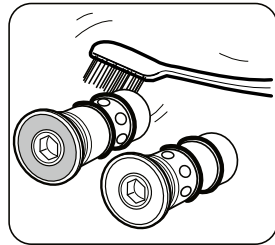
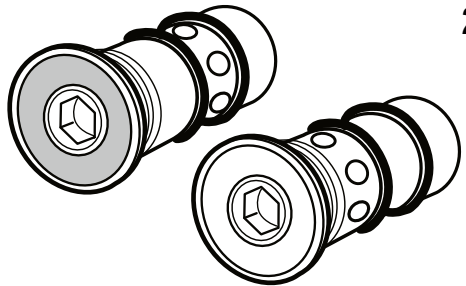
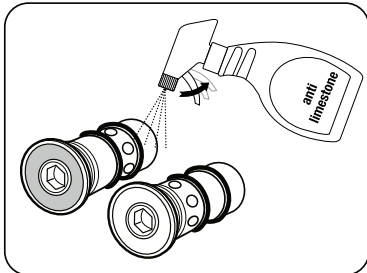


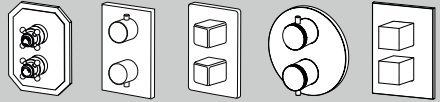


1

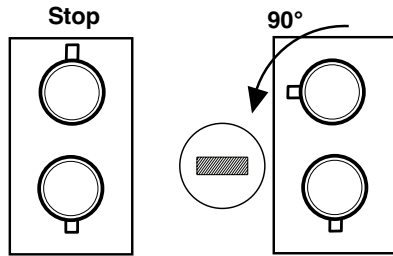


2

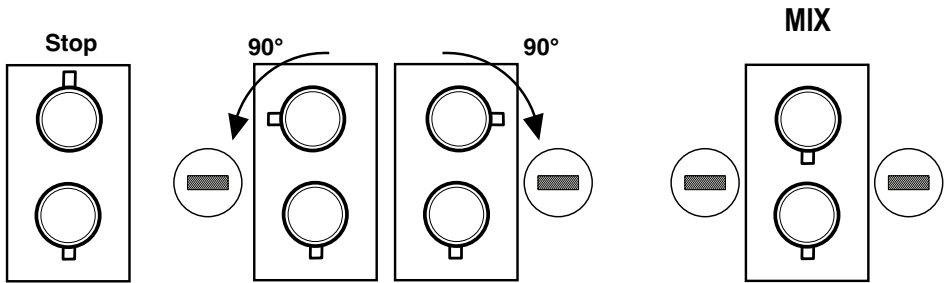




**THERMOSTATIC 1 WAY**



**THERMOSTATIC 2 WAYS**



**THERMOSTATIC 3 WAYS**

