

7003-01 – Rens 190x90

1x

1x

FORM
FLOOR DRILLING TEMPLATE

1. Define position of the bathtub and mark longer axis.
2. Mark drilling positions on the longer axis according to the drawing.
3. Drill two holes $\varnothing 12$ mm, 70 mm deep.
4. Remove dust from holes and insert PVC plugs to be aligned with the floor surface.
5. Insert bolts 600 mm to plugs and screw them using Torx screwdriver. Cap of the bolt reaches the floor level.

2x

2x

1x

$\varnothing 40$

$\varnothing 50$

Fig. 1

$\varnothing 12$

70

Fig. 2

X2

Fig. 3

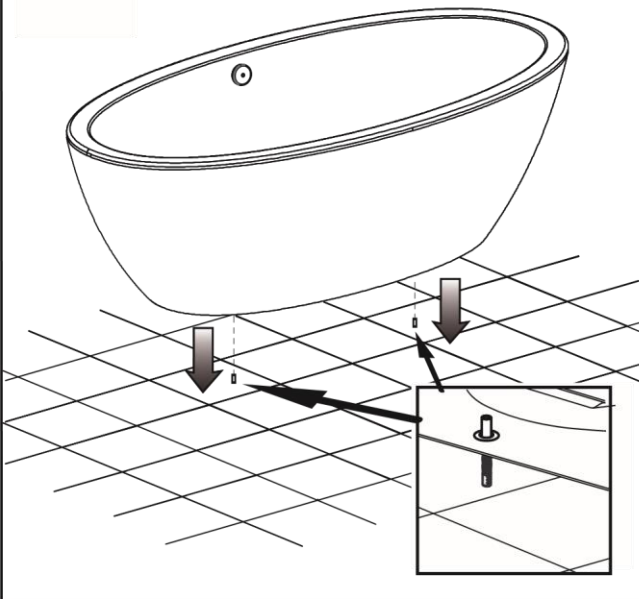


Fig. 4

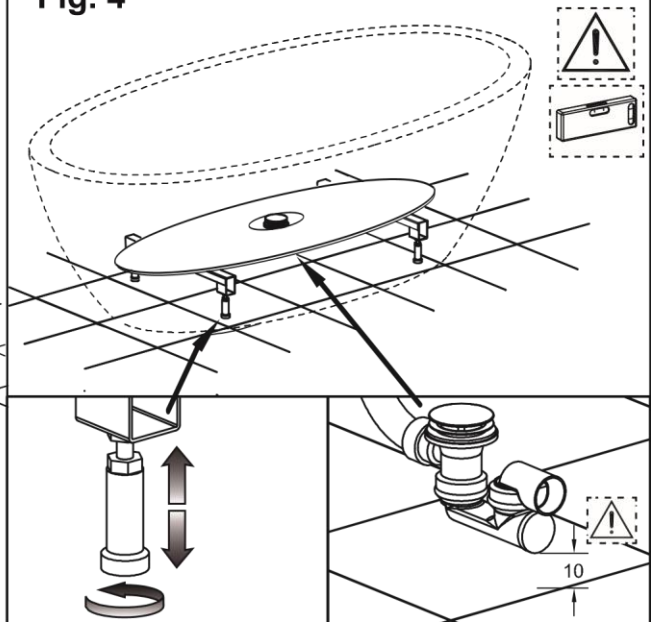


Fig. 5

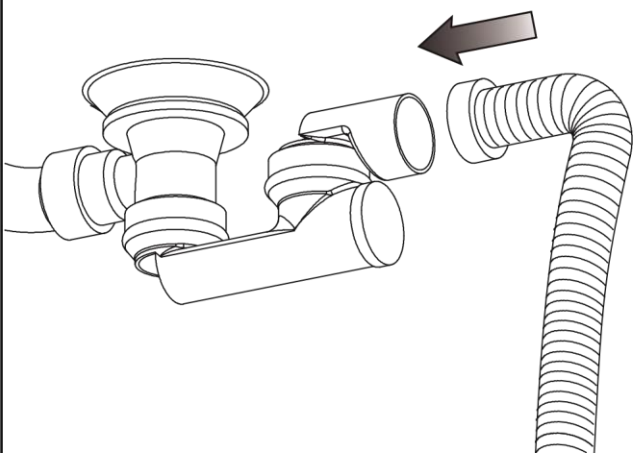
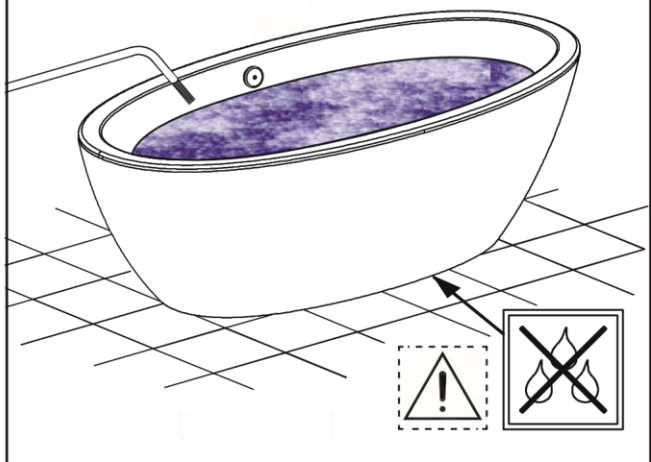


Fig. 6



OPTION :

Fig. 6

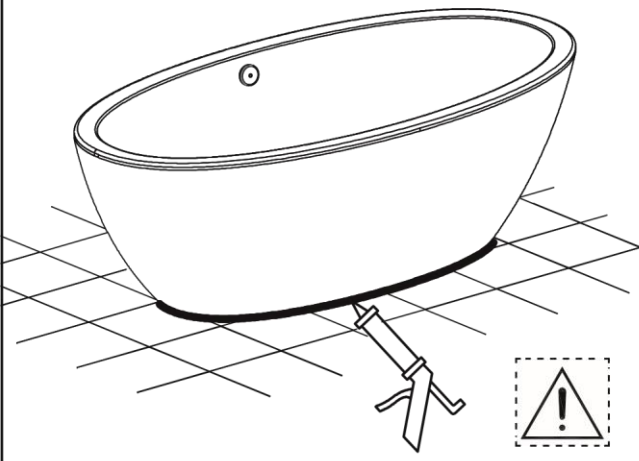


Fig. 7

