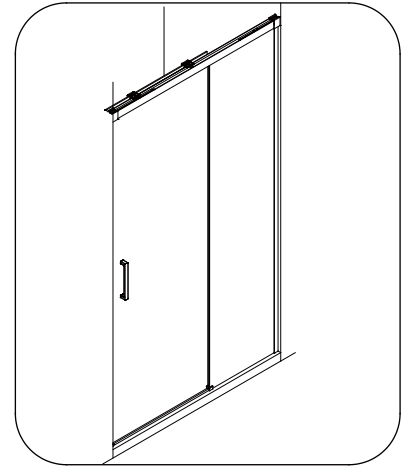
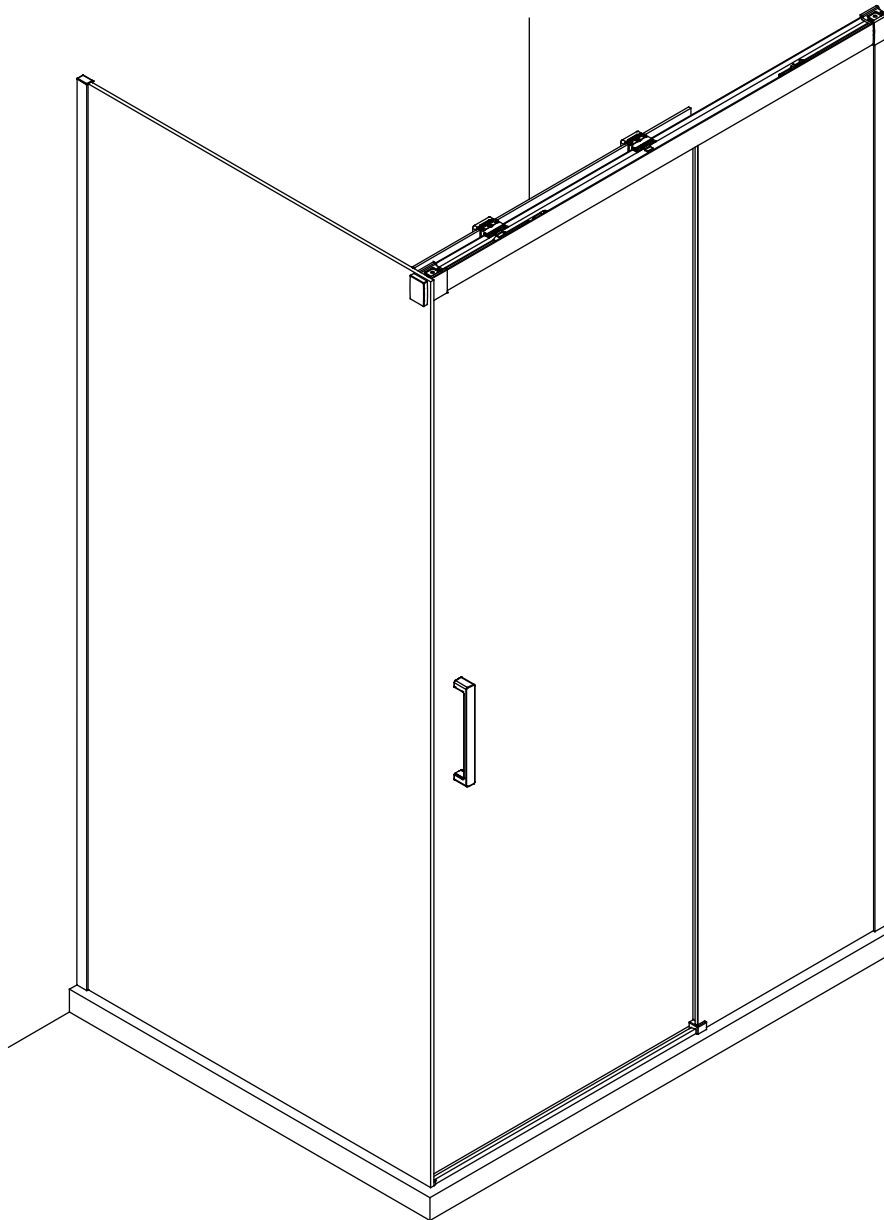
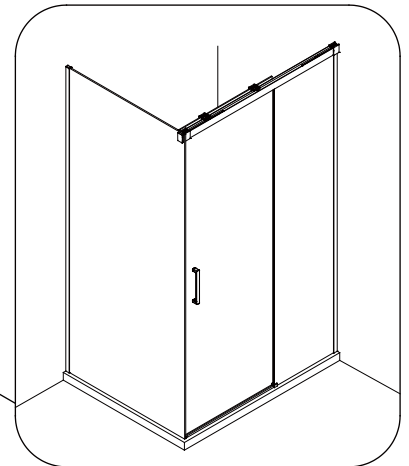


SOFT CLOSE SLIDING DOOR

DSLSC1100 PRSBC1200
DSLSC1200 PRSBC1400
DSLSC1400 PRSBC1700
DSLSC1600 PRLSP0800BM
DSLSC1700 PRLSP0900BM
DSLSP0800
DSLSP0900
DSLSP1000



SLIDER DOOR IN ALCOVE



SLIDER DOOR & SIDE PANEL

INSTALLATION INSTRUCTIONS

simpsons 

IMPORTANT - Please read before installation

Please read these instructions carefully before starting installation and keep in a safe place for future reference.

Check the contents of the pack carefully before installation. Simpsons will not be held responsible for any de-fit / re-fit costs where faulty product has been fitted.

If any fault is found with materials or workmanship, it must be reported immediately to the manufacturer. Remedial action will be taken, based on information received, on condition that:

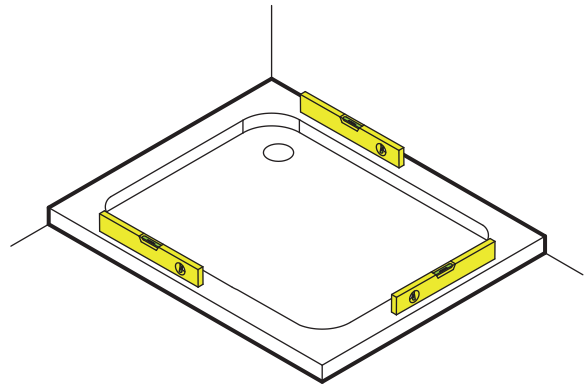
1. Full details are supplied to the manufacturer;
2. The enclosure has not been modified or tampered with;
3. The manufacturer is informed of any damage/shortages prior to installation.

We do not accept responsibility for any problems that may occur through incorrect installation.

The success of the installation and operation of any shower enclosure is, of course, dependant on the squareness, alignment and construction of the walls to which fixing is to be carried out.

VERY IMPORTANT

You must complete all tiling and grouting, and the shower tray **MUST** be level and fully sealed to the tiles before installation. If you do not fit the enclosure onto a tiled surface, or seal the tiles to the tray before installation, water may soak into the wall behind the wall profiles.



INSTALLATION - Advice and safety

These products come with the two wall channels pushed onto each side of the glass panel frame. The side panels do **NOT** come with wall channels, you must use one of the channels from the door.

The installation instructions are based on typical use and conditions.

Please follow the installation instructions relevant to your enclosure.

These hints have been prepared for your guidance, you must exercise due care at all times.

For Health and Safety 2 people must carry out the installation of this enclosure.

Handle glass with care. Although the glass supplied is toughened safety glass (EN12150), impacts can damage both the glass and the frame.

Warning!

Please check for any hidden pipes or cables before drilling holes in the wall.

To stop the drill bit slipping, masking tape can be applied to the tiles when preparing the holes.

When using power tools always follow the manufacturers user instructions.

Do not sit the enclosure on a bed of silicone, as this will also stop any water from draining back into the tray.

DO NOT SEAL THE ENCLOSURE TO THE TRAY ON THE INSIDE.

If the enclosure is sealed to the tray on the inside, any water that may get into the framework will not be able to drain back into the tray, this may cause the enclosure to leak.

Leave the silicone sealant to dry for 24 hours before using the enclosure.

CARE AND CLEANING

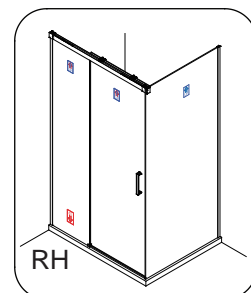
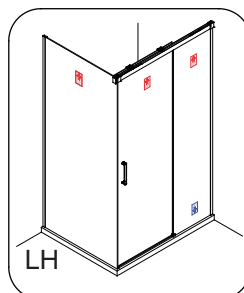
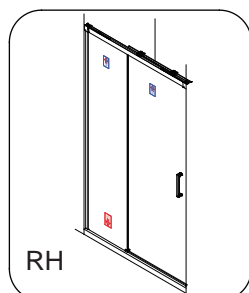
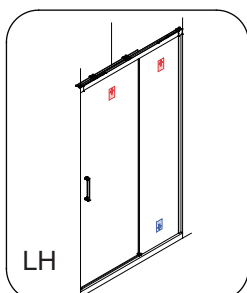
Do not use solvents or abrasive material or chemicals to clean the enclosure.

Only clean using soapy water and a soft cloth, rinse thoroughly afterwards.

INSTALLATION - left & right

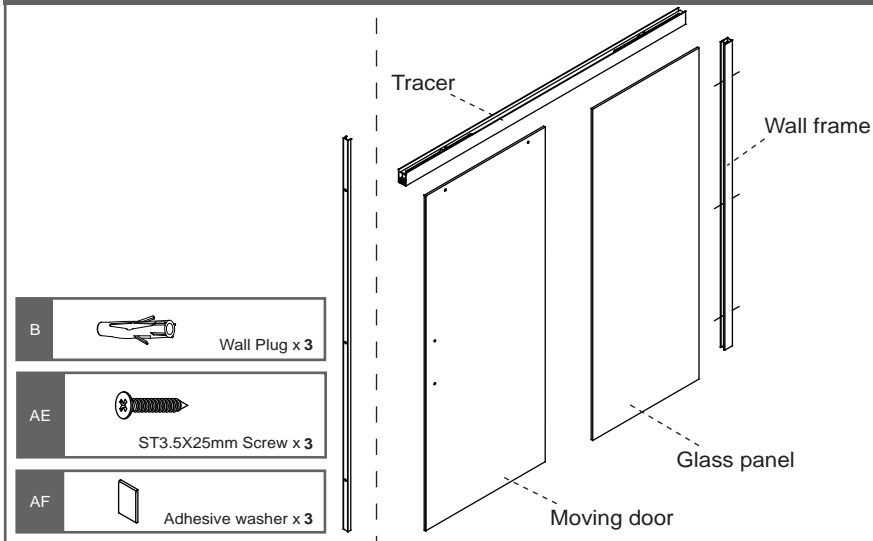
These products are reversible for left or right hand fitting, simply turn the door or panel up side down.

- Left entry, The "up" arrow on the glass should be in red, and be on the outside of the enclosure.
- Right entry, The "up" arrow on the glass should be in blue, and be on the outside of the enclosure.



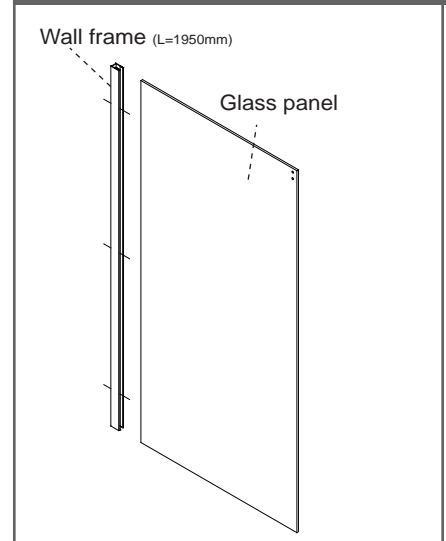
CONTENTS

DOOR IN ALCOVE



A	ST4X40mm Screw x 3	M	Waterproof part (RH) x 1
B	Wall Plug x 5	N	Glass clip x 1
C	ST4X40mm Screw x 2	O	Roller x 2
D	M4X5mm Screw x 4	P	Roller clip x 2
E	Location Plate x 1	Q	waterproof barrier bar x 1
F	Wall Bracket x 2	R	Top sealing strip x 1
G	Wall Bracket (LH) x 1	S	Top filler x 1
H	Wall Bracket (RH) x 1	T	Side waterproof strip x 1
I	Wall Bracket x 1	U	Wall frame sealing strip x 1
J	Waterproof cap (LH) x 1	V	Handle x 1
K	Waterproof cap (RH) x 1	W	2.5mm Allen key x 1
L	Waterproof part (LH) x 1	X	3mm Allen key x 1

SIDE PANEL



A	ST4X40mm Screw x 2
B	Wall Plug x 2
AA	Top Cap x 1
AB	Screw Cap x 1
AC	L=1950mm Sealing strip x 1
AD	Glass clip set x 1
Y	4mm Allen key x 1
Z	Alcohol Prep Pad x 1
AG	Glass clip x 1
AH	Waterproof part (LH) x 1
AI	Waterproof part (RH) x 1

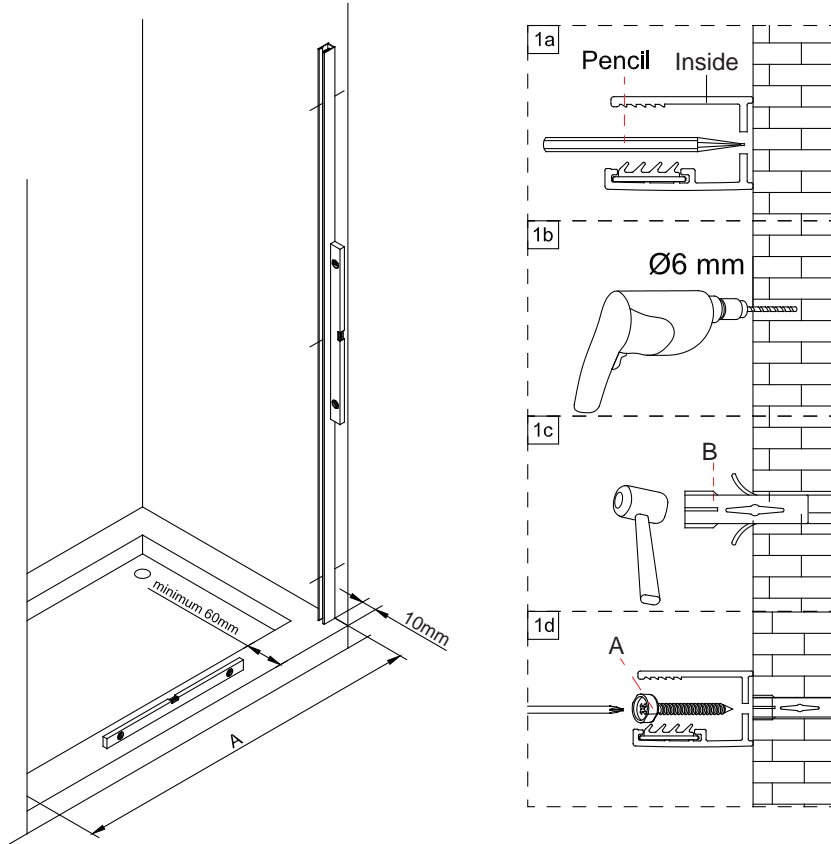
Tools and equipment needed

Drill, 6mm Masonry drill bit, Cross Philips screwdriver, Slotted Philips screwdriver, Spirit level, Pencil, Tape measure, Pincers, Silicone sealant, Knife, Rubber Mallet, Wood, Fine Tooth Saw.

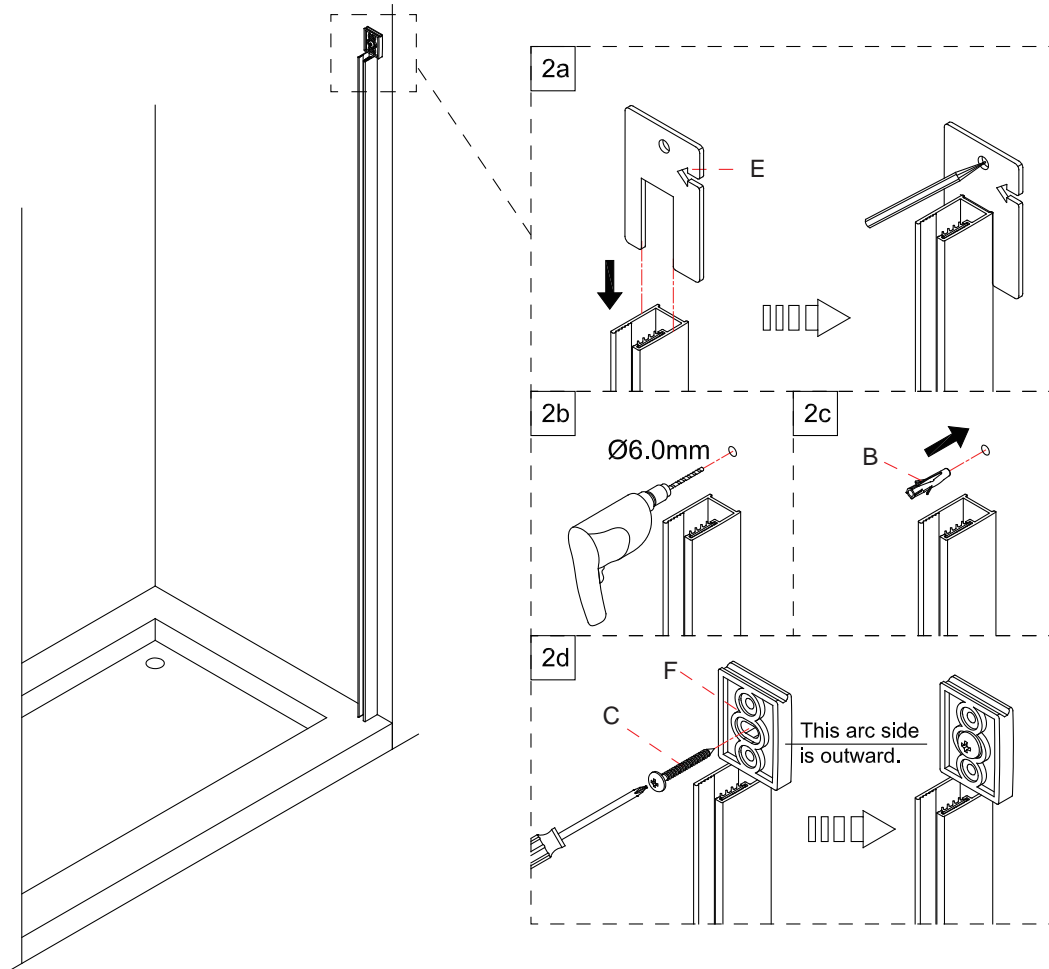
SLIDING DOOR IN ALCOVE

Step 1

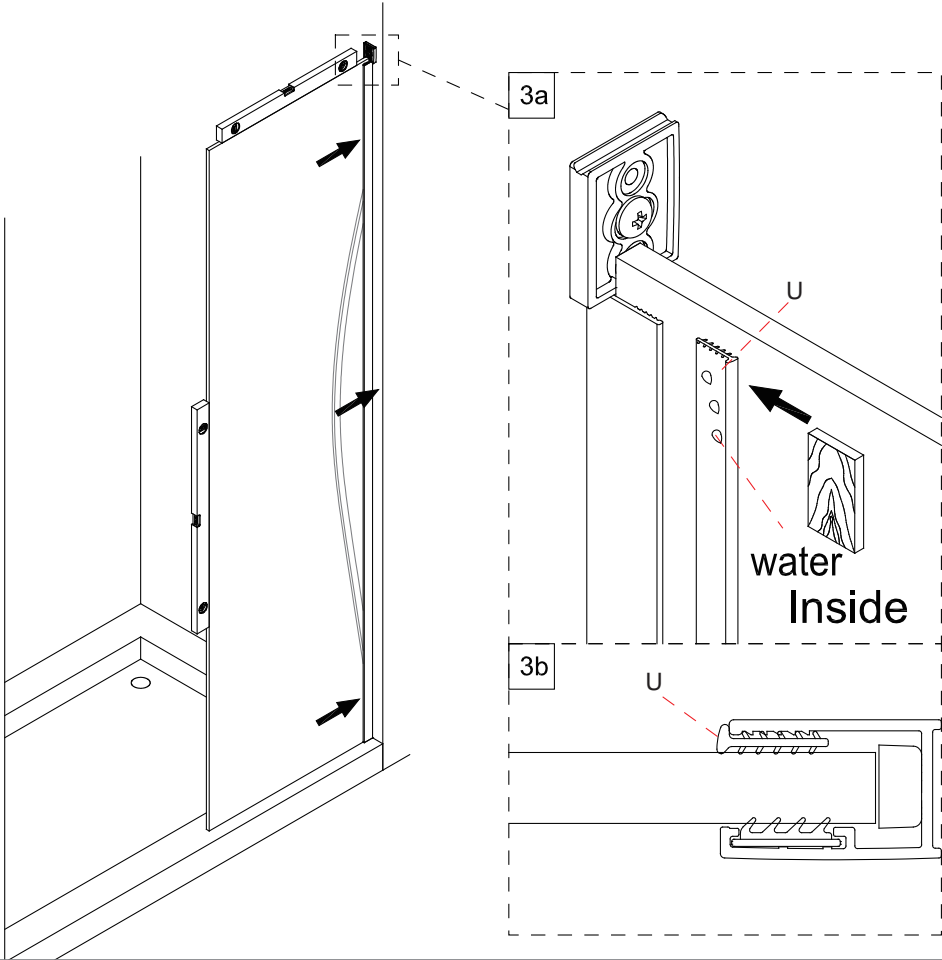
Model	A (mm)
DSLSC1100	1060-1085
DSLSC1200	1160-1185
DSLSC1400	1360-1385
DSLSC1600	1560-1585
DSLSC1700	1660-1685
PRSBC1200	1160-1185
PRSBC1400	1360-1385
PRSBC1700	1660-1685



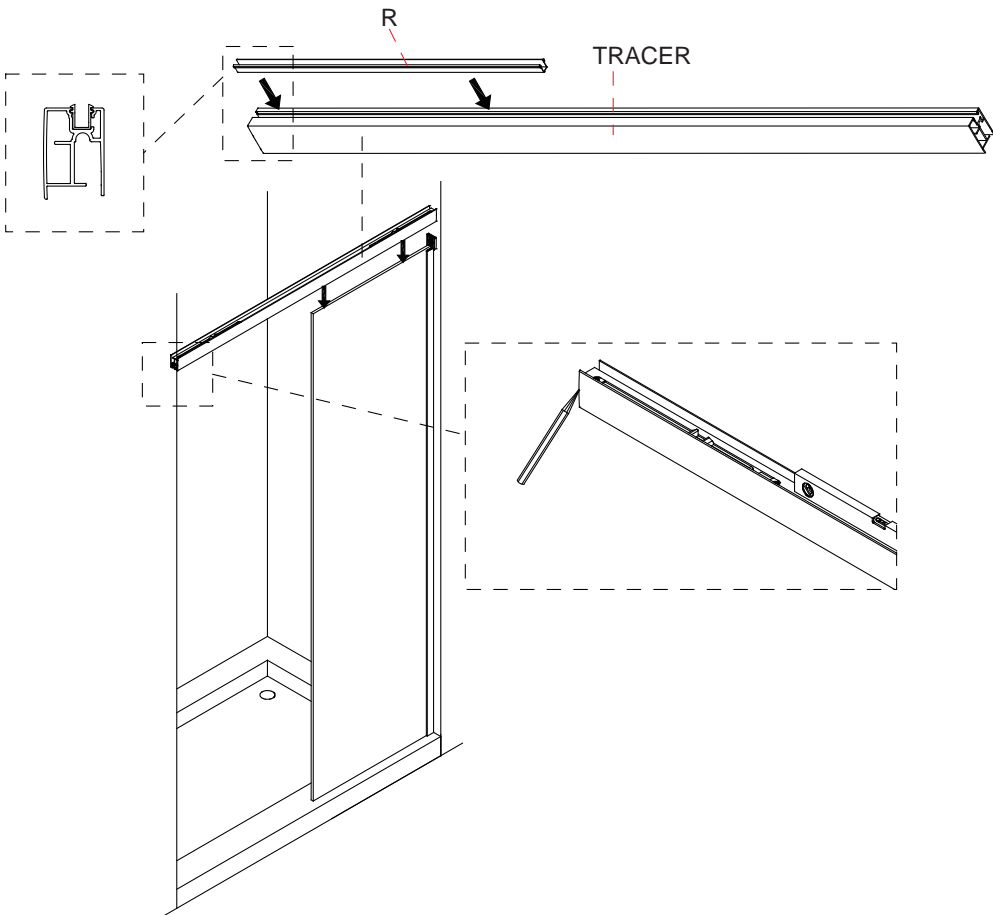
Step 2



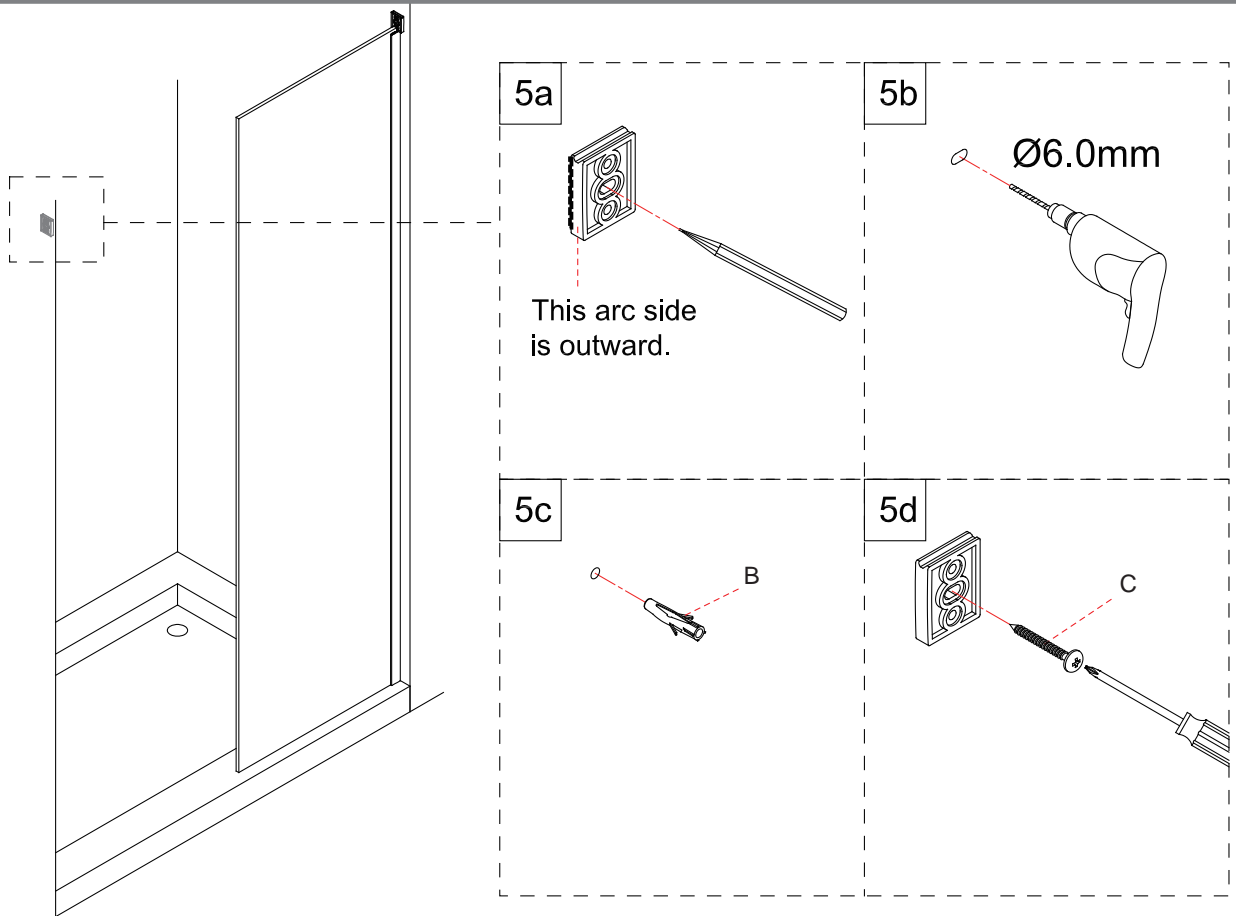
Step 3



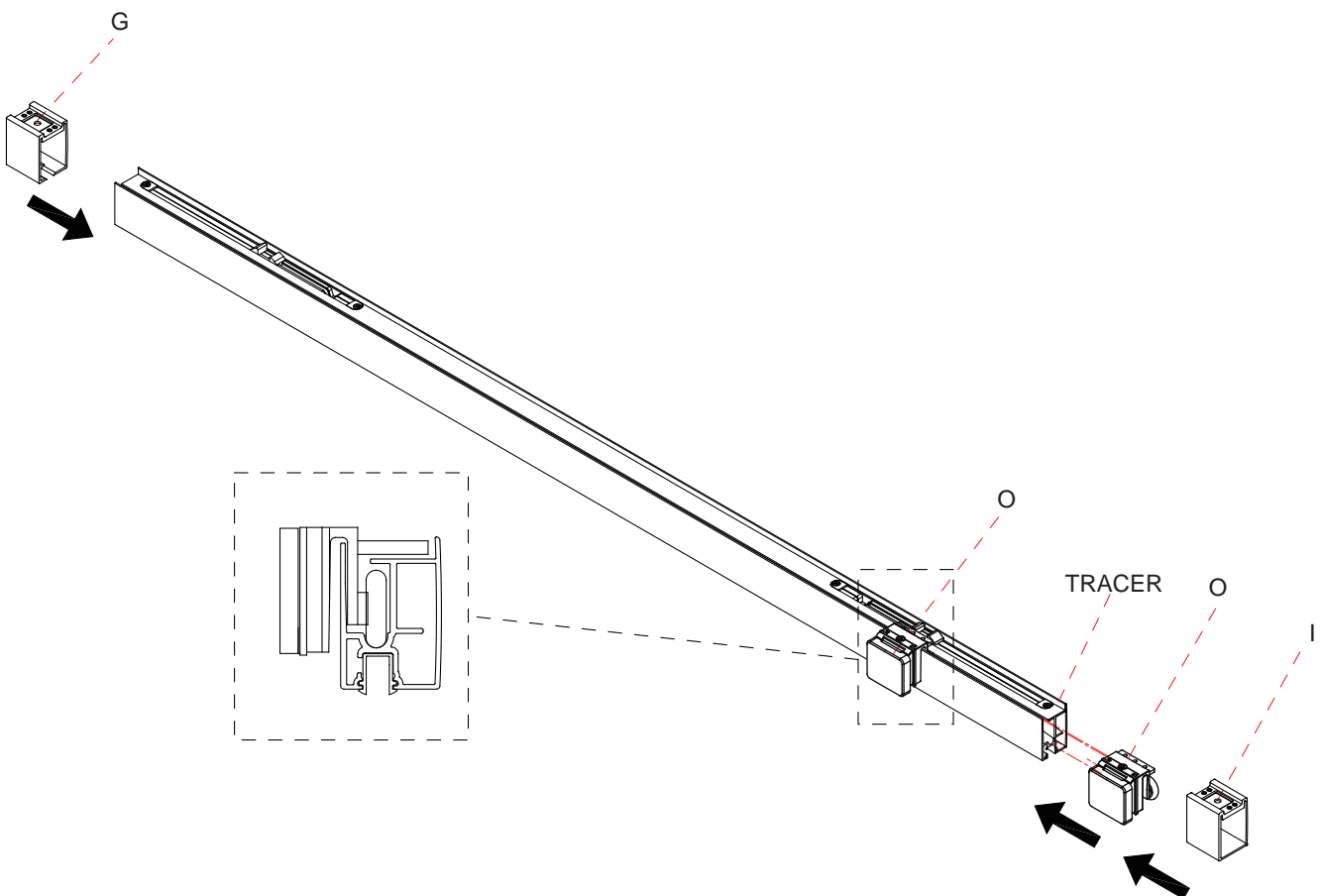
Step 4



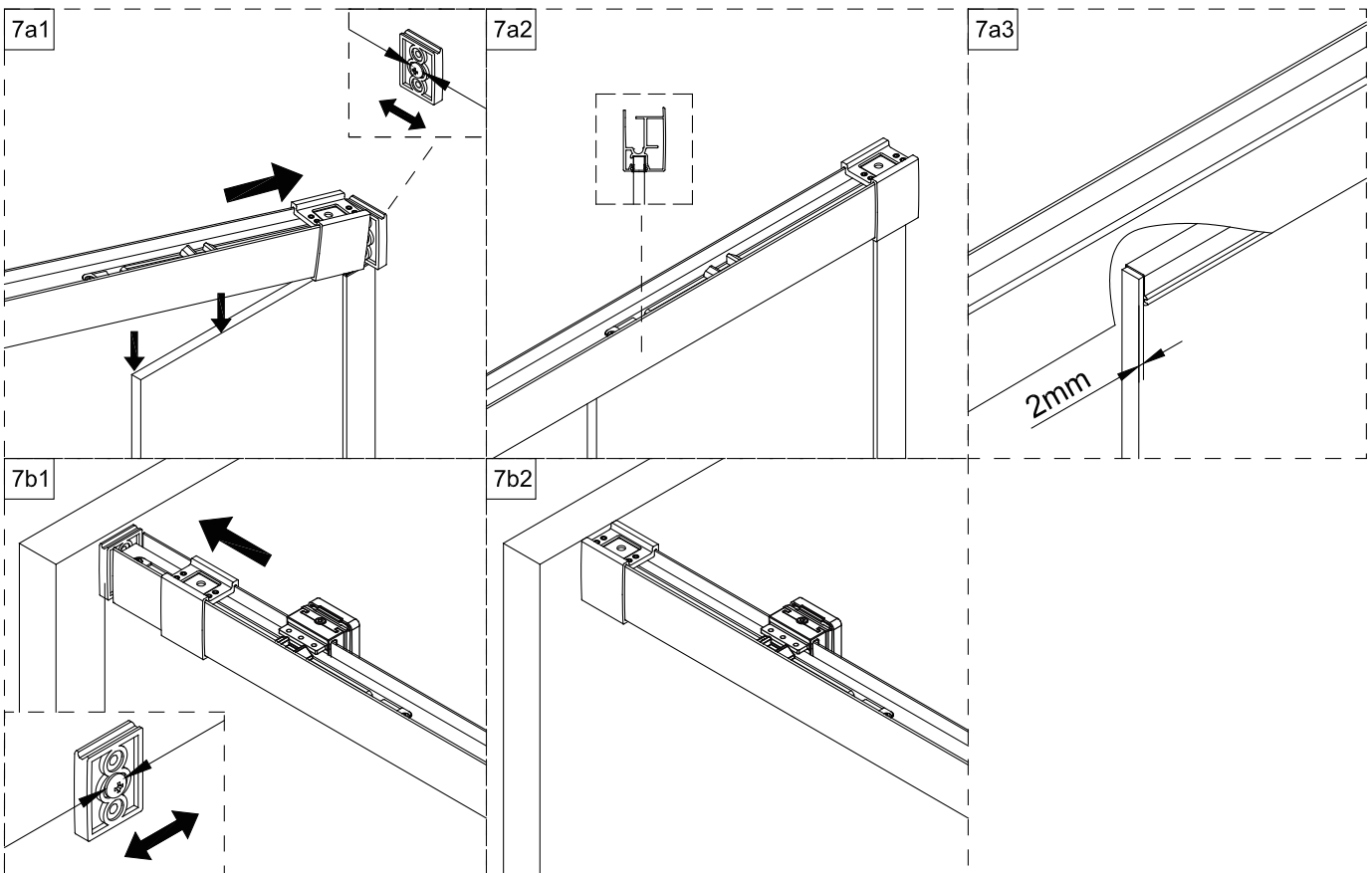
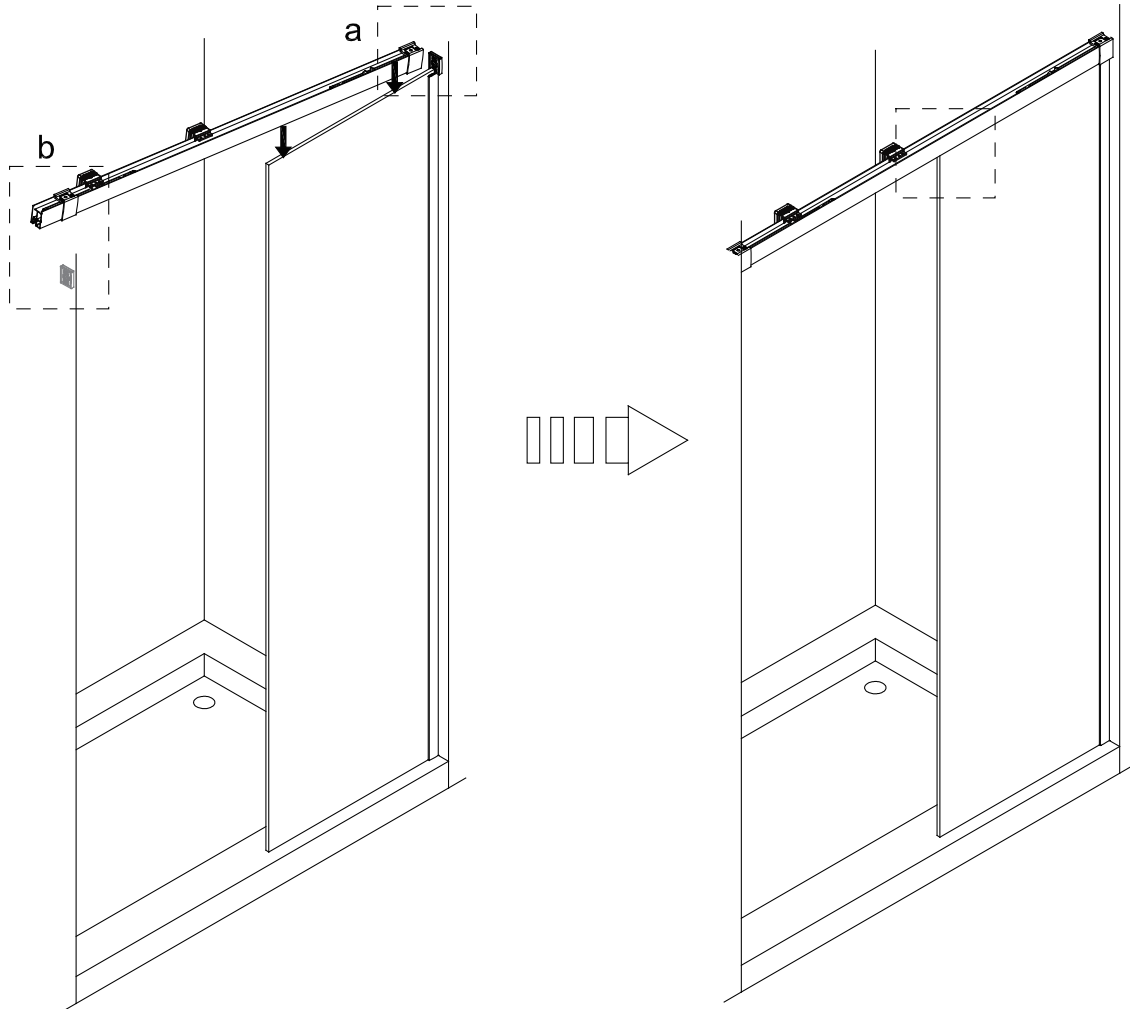
Step 5



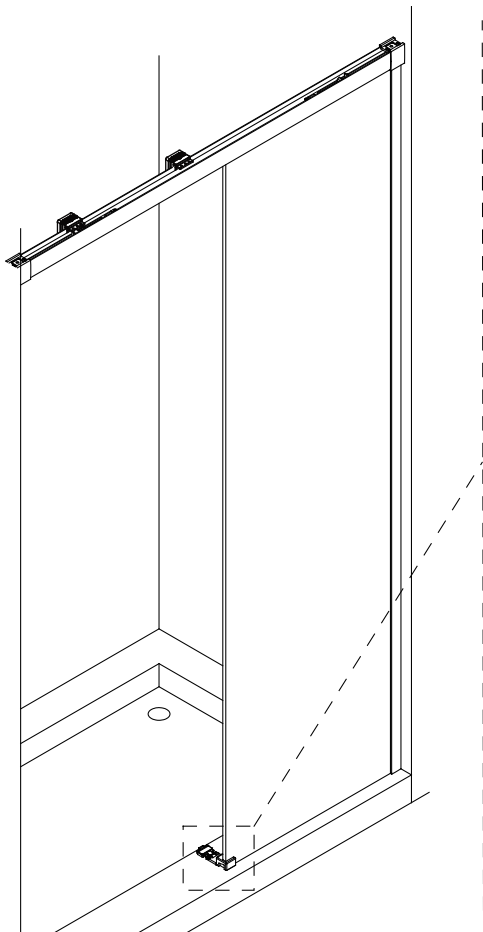
Step 6



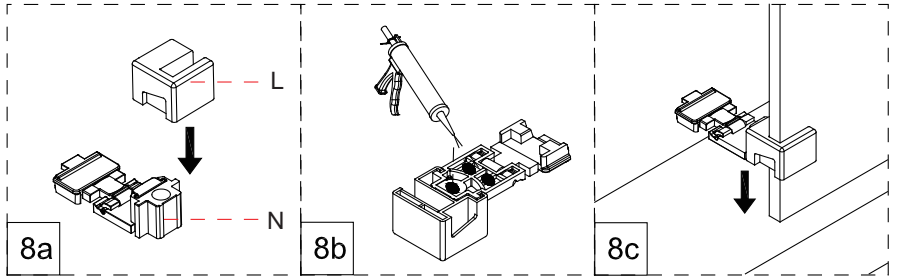
Step 7



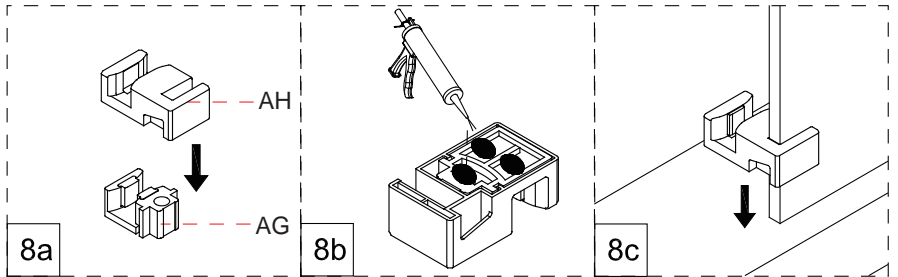
Step 8



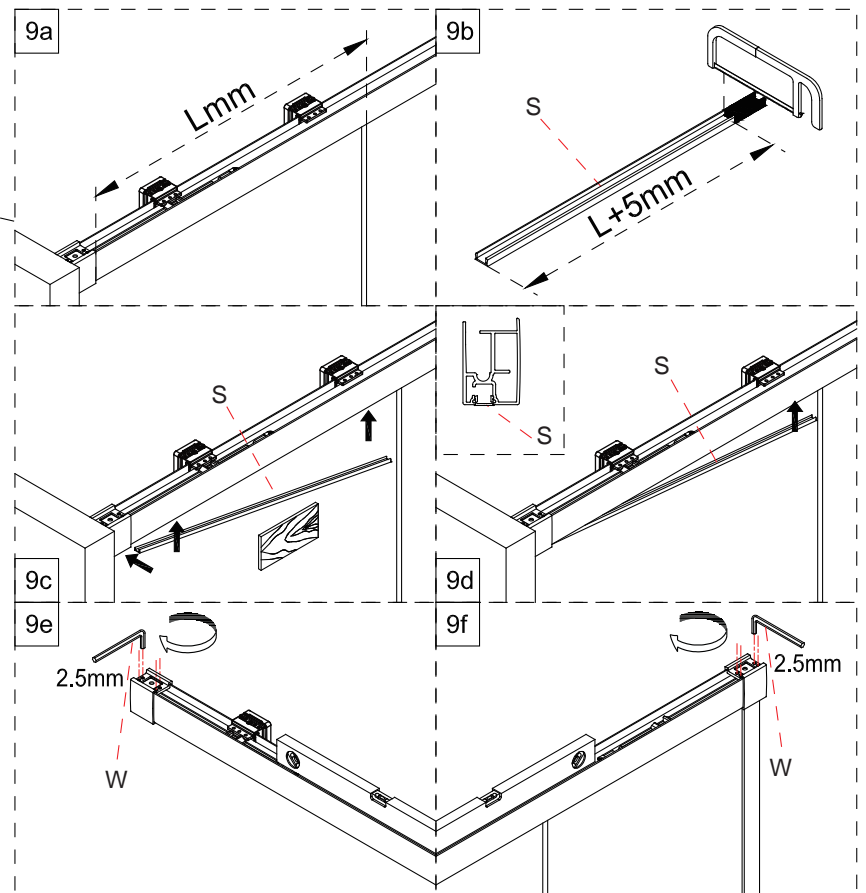
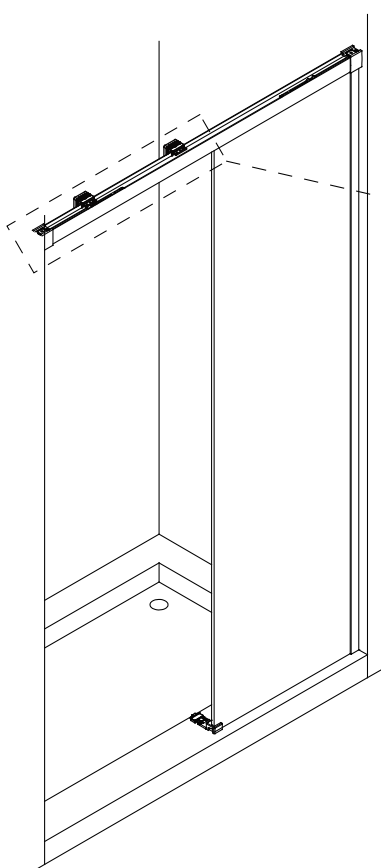
Installation method 1:



Installation method 2:

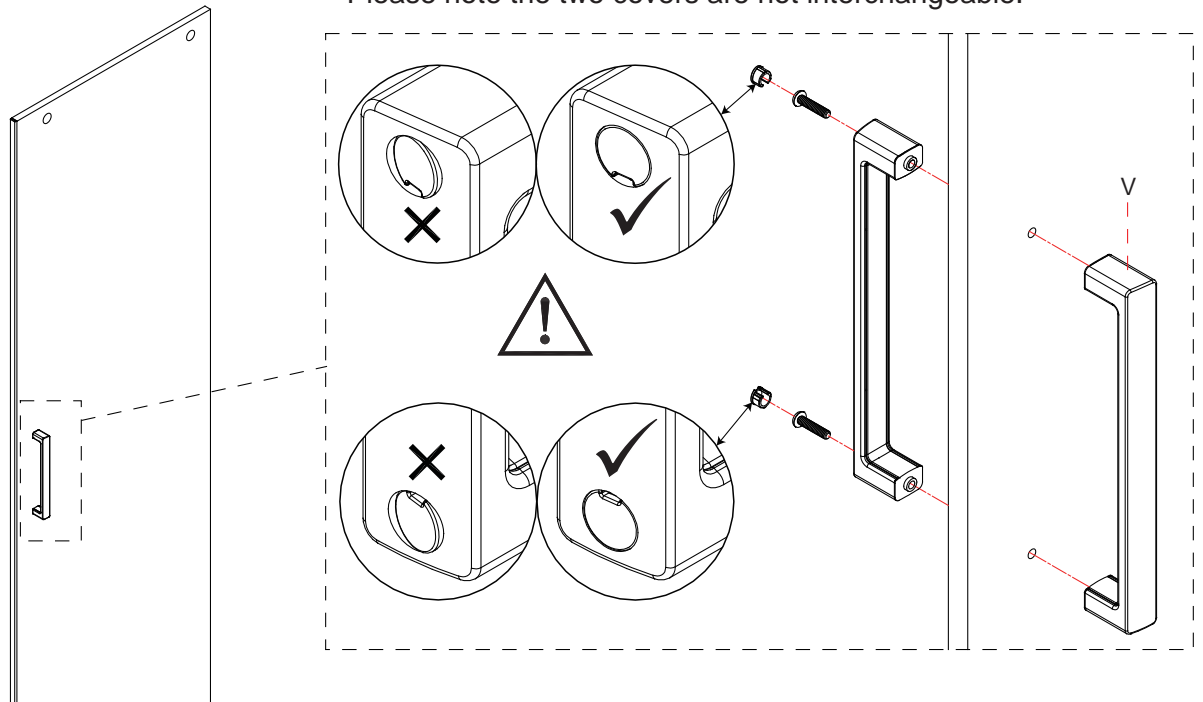


Step 9

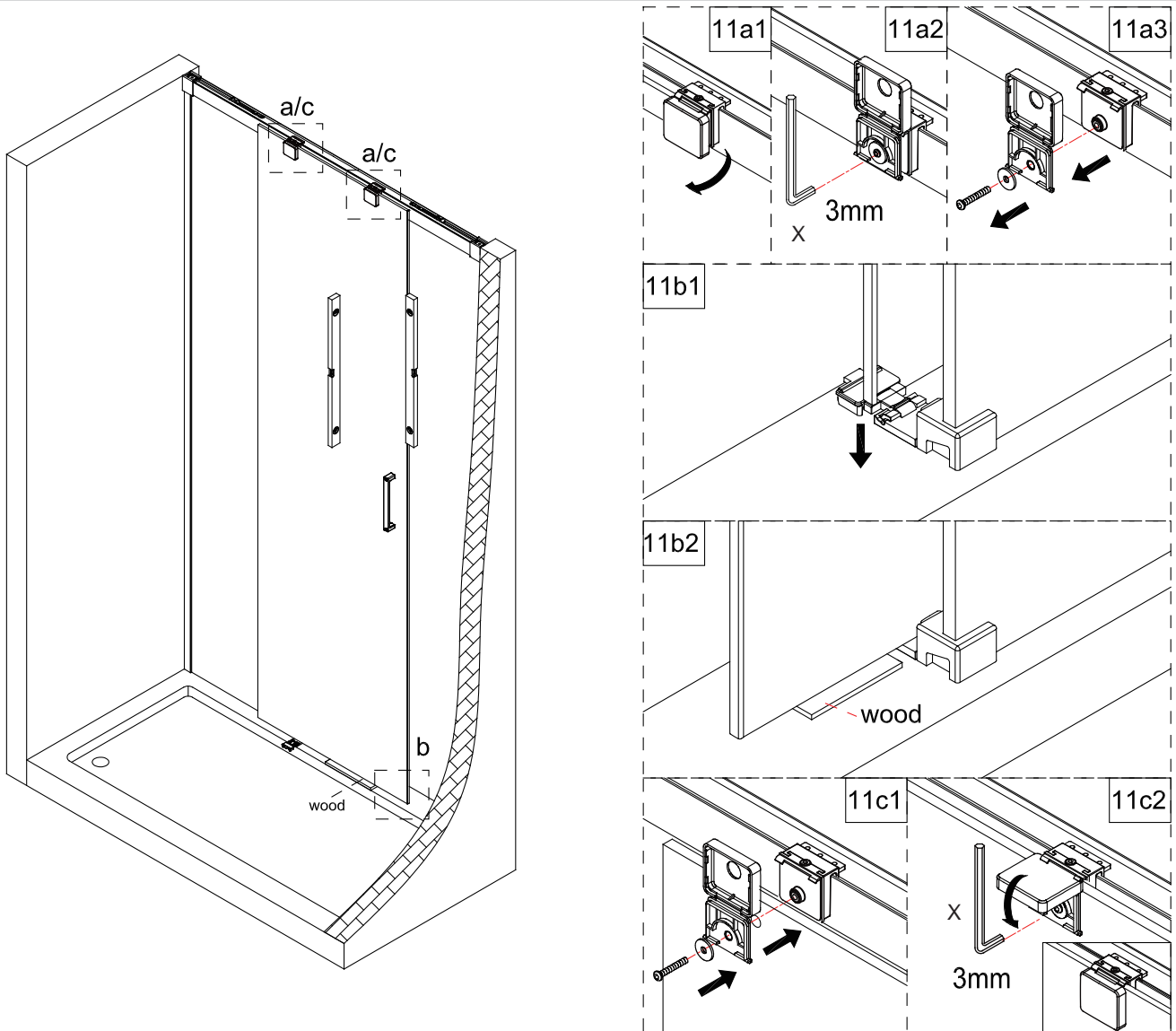


Step 10

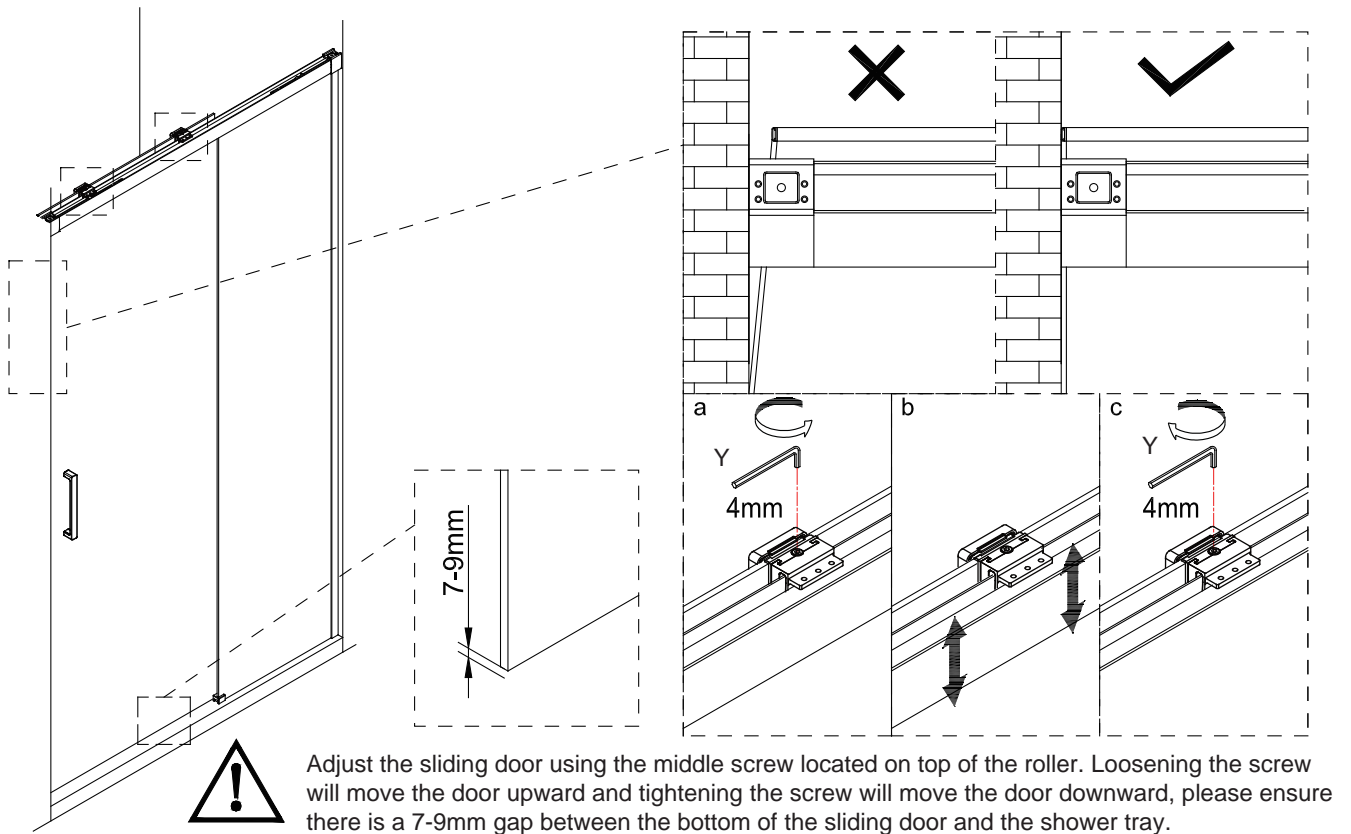
Please note the two covers are not interchangeable.



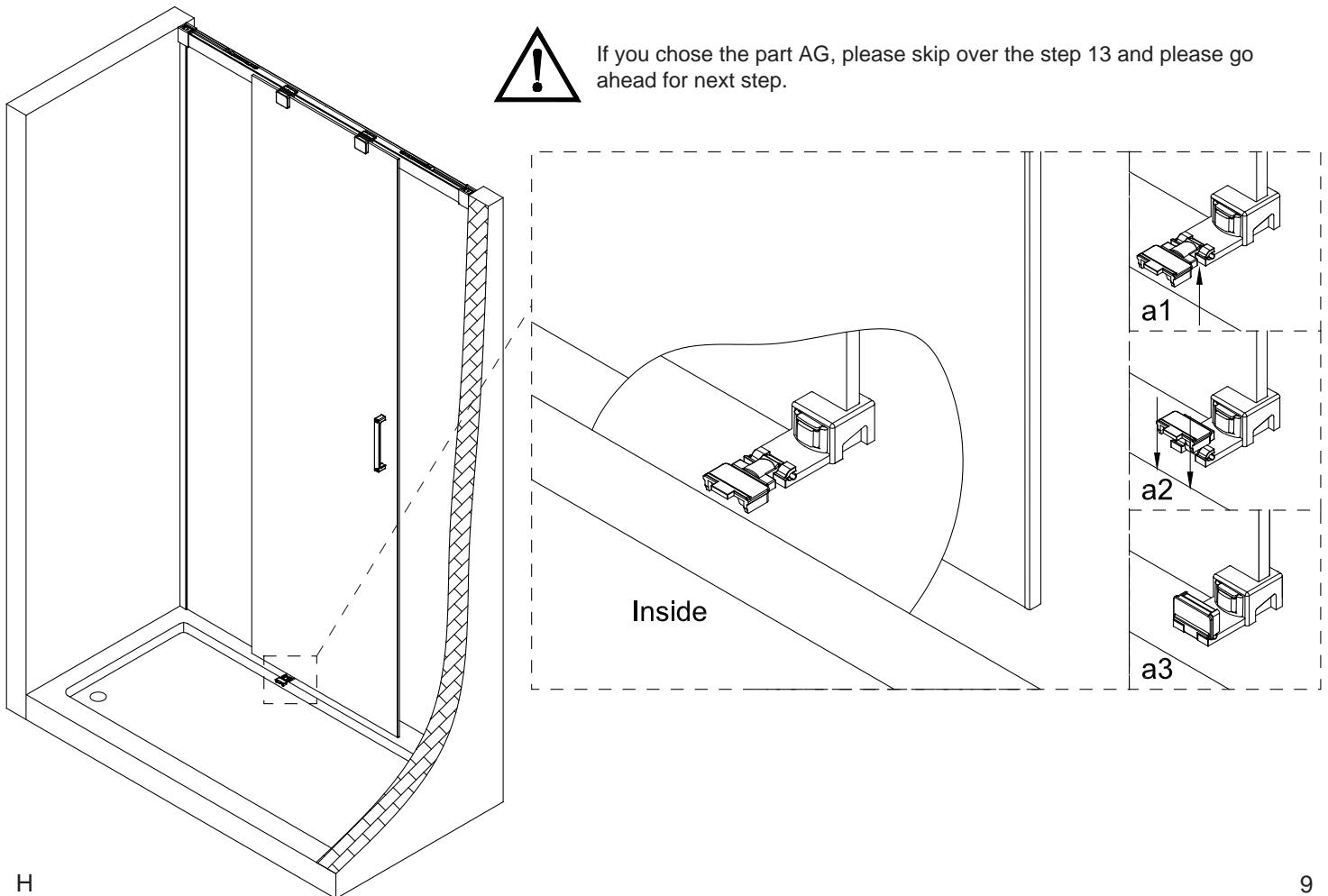
Step 11



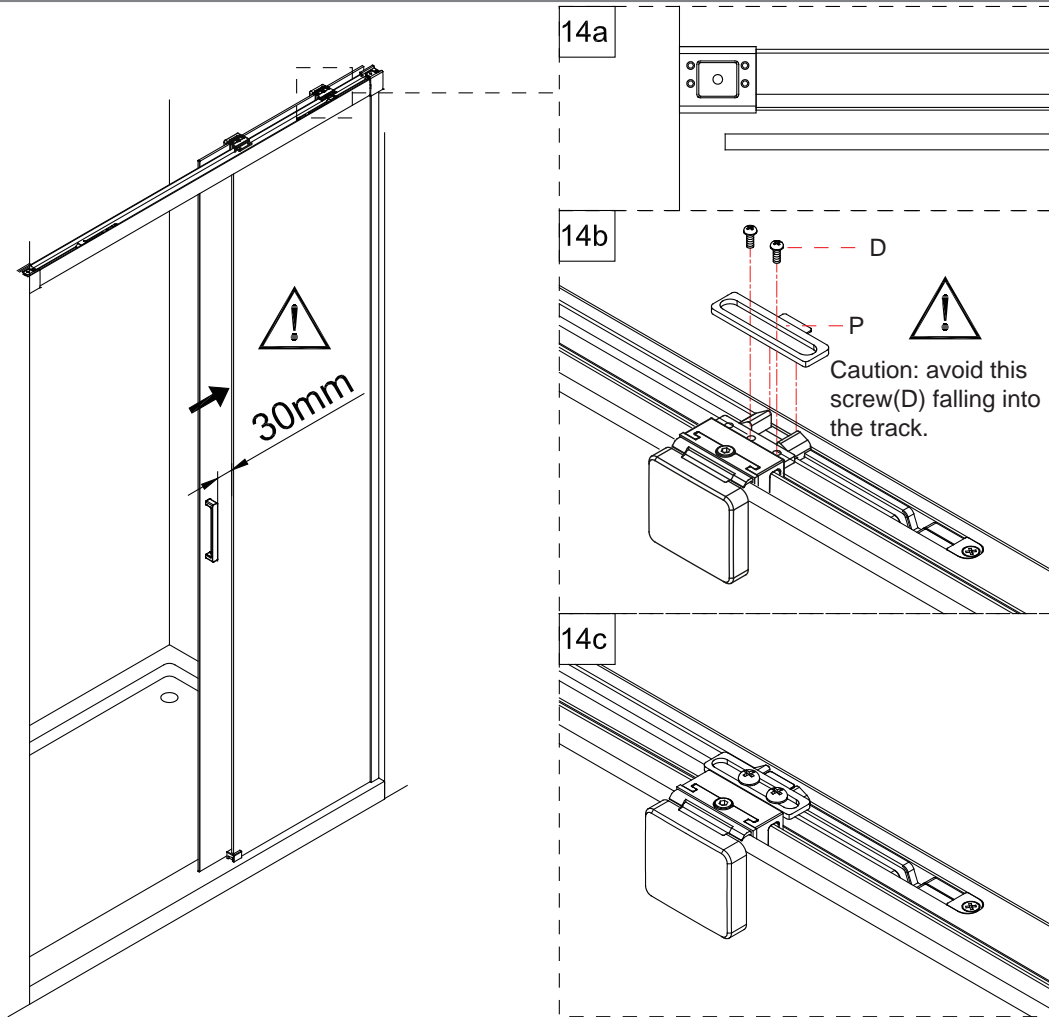
Step 12 - Only if adjustment is required!



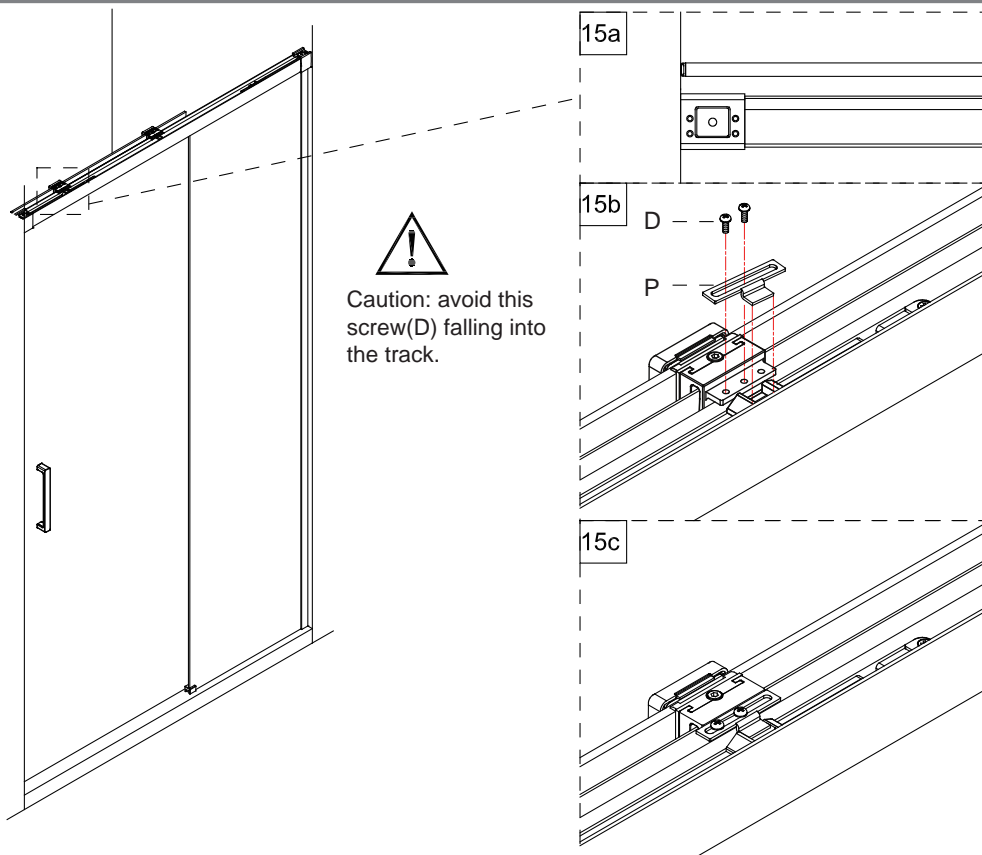
Step 13



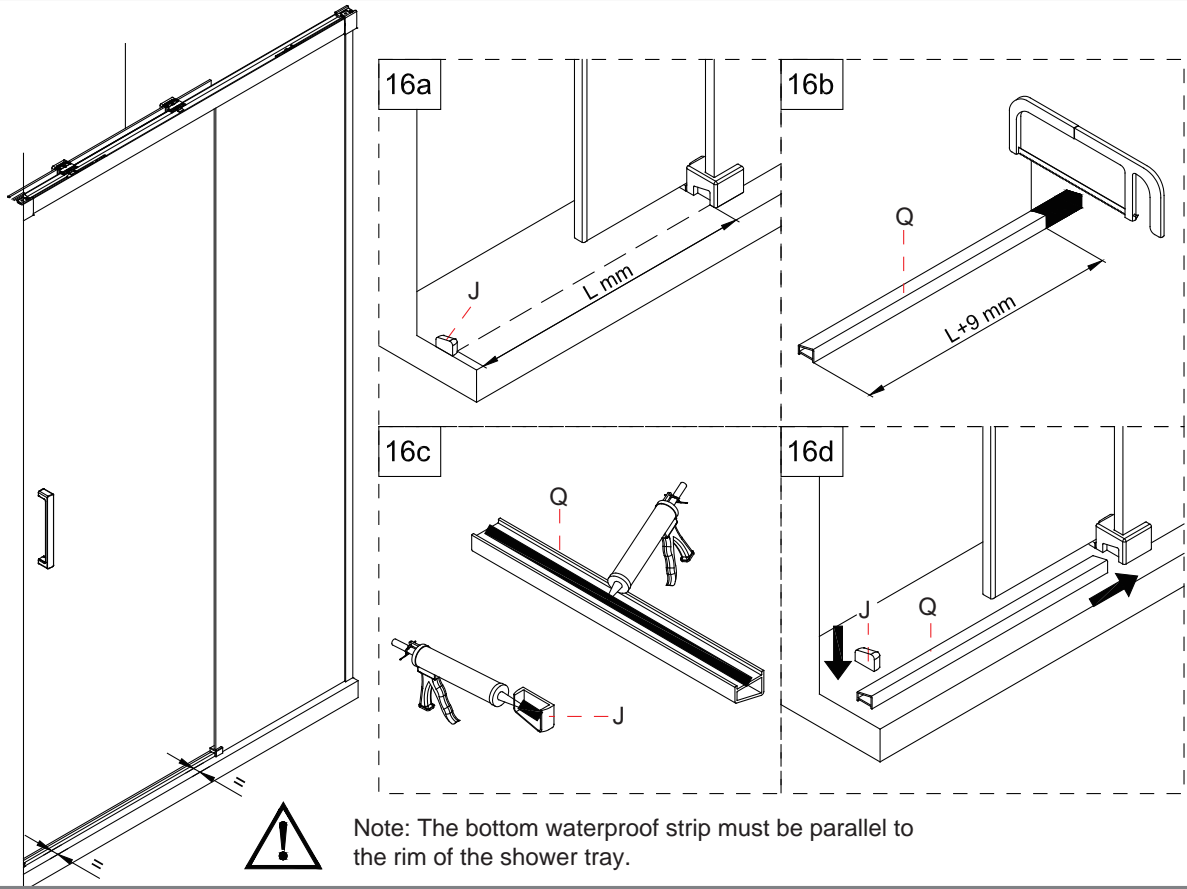
Step 14



Step 15



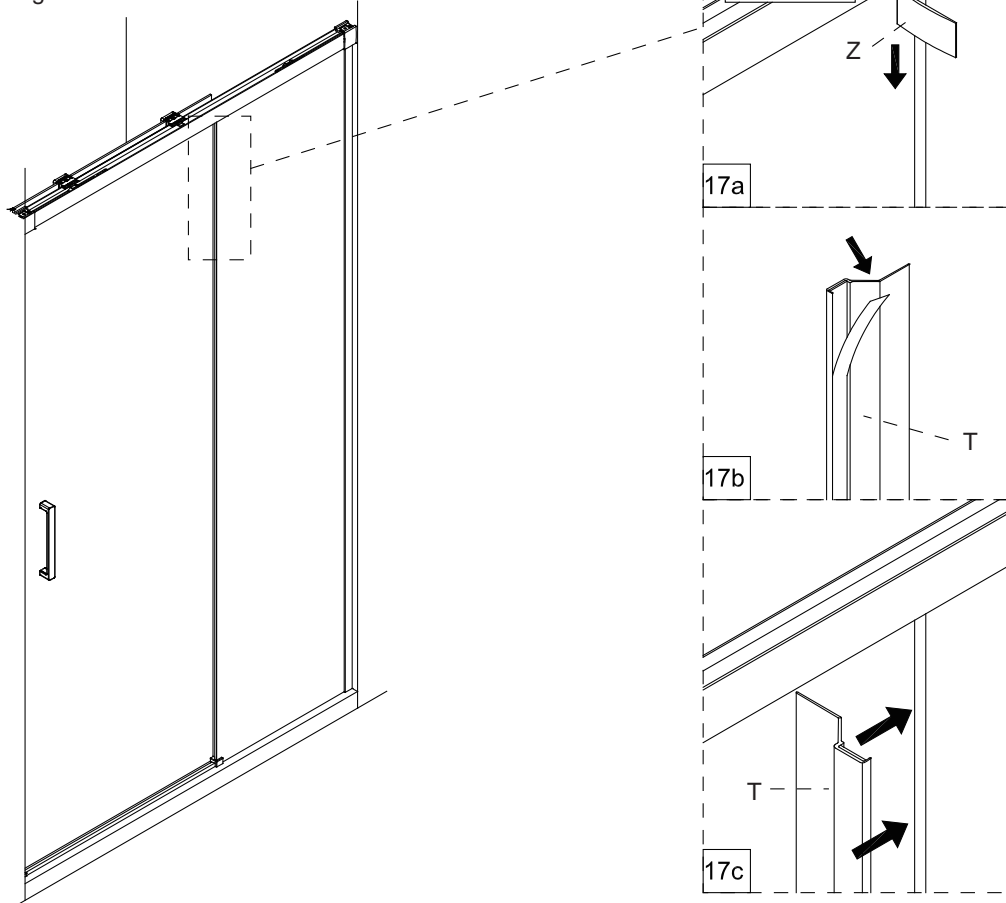
Step 16



Step 17



Clean any grease or debris from the edge of the glass using the Alcohol Prep Pad (Z). When (Z) dry, remove the protective film from the waterproof strip and stick the waterproof strip along the edge of the glass at the same time.

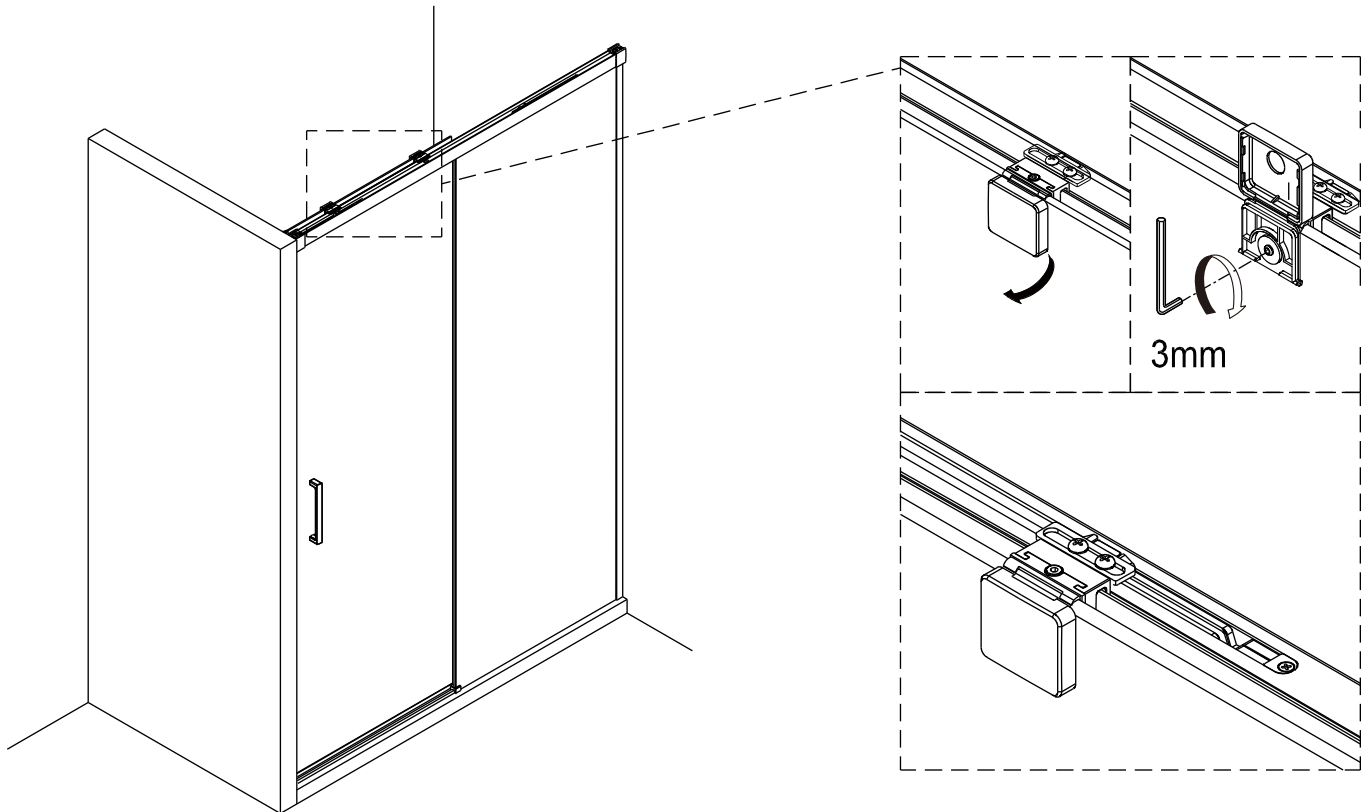


Step 18 Trouble Shooting

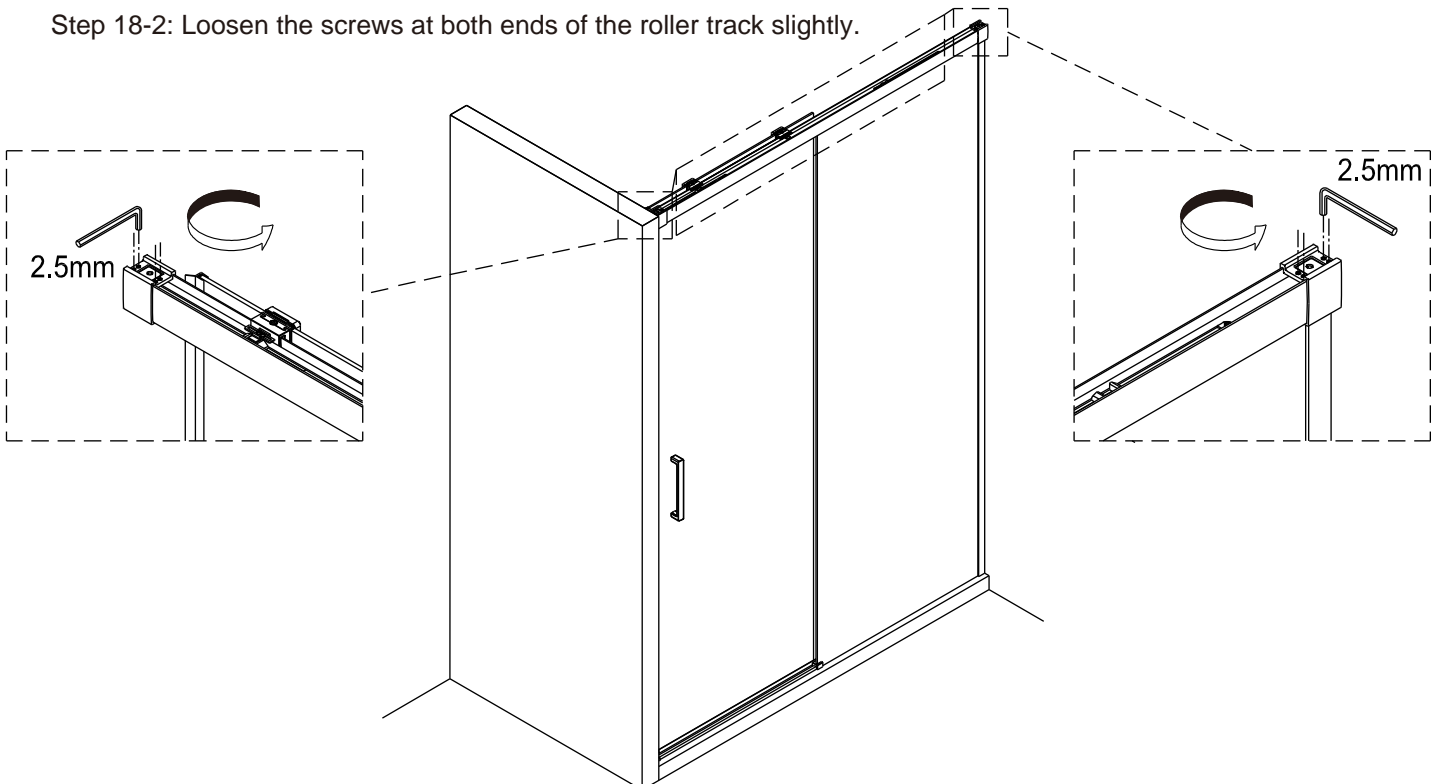


If the slider has a grinding noise during operation, please refer to below instruction to resolve.
If the roller track contacts with the roller holder, then it will have a grinding noise during sliding.
To fix, please follow the below steps:

Step 18-1: Ensure that the screw on the roller is fully tightened.

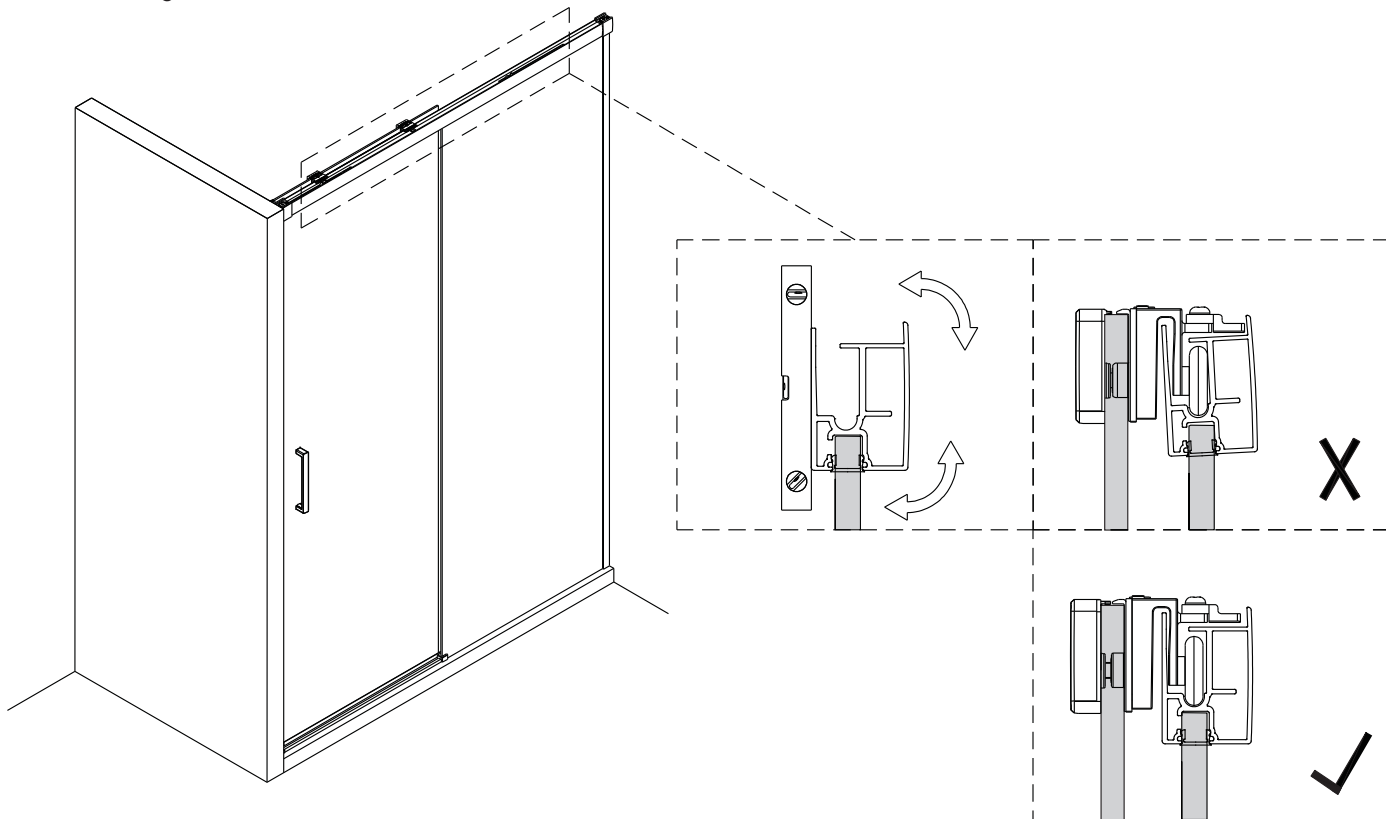


Step 18-2: Loosen the screws at both ends of the roller track slightly.

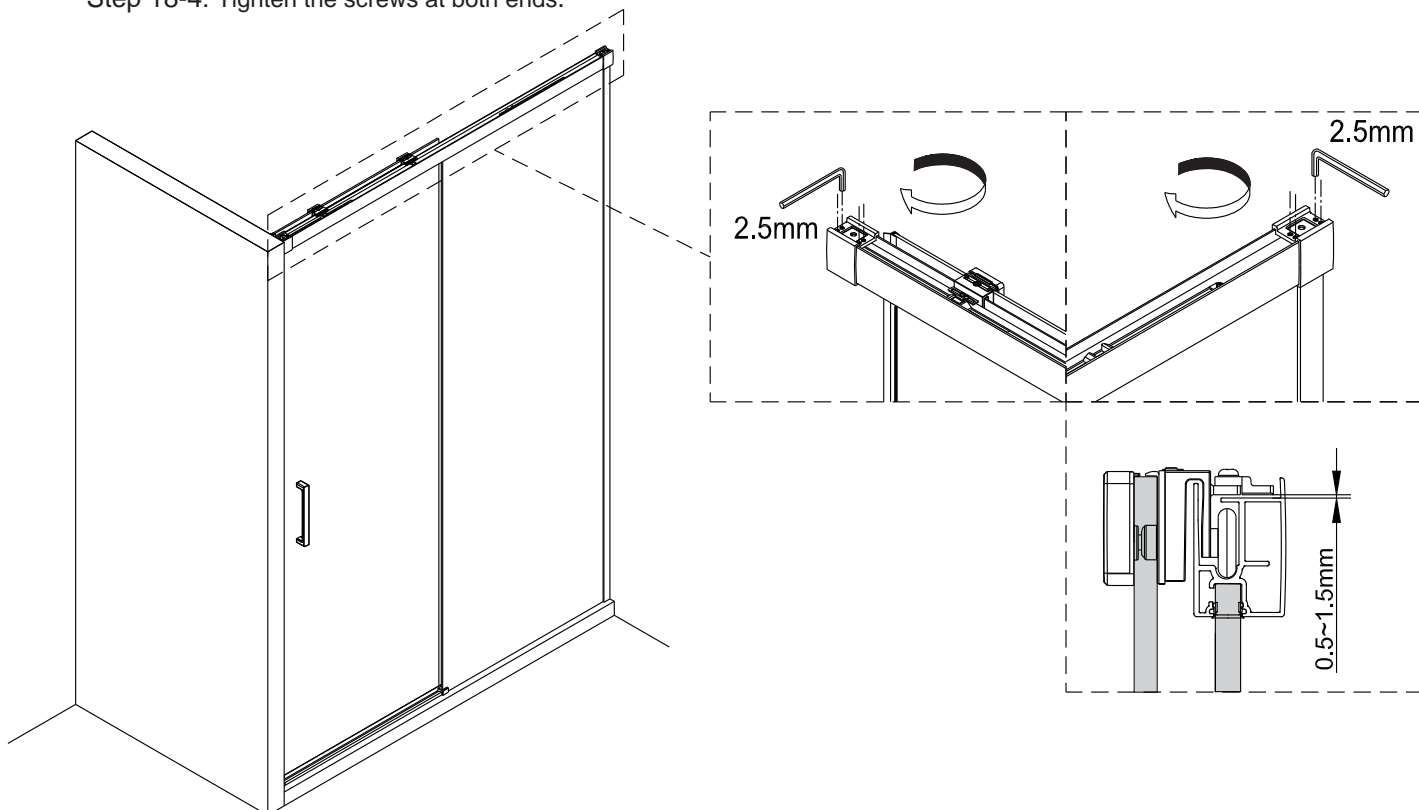


Step 18 Trouble Shooting

Step 18-3: Slightly adjust the roller track, ensure that the track is in the center of the groove, and it does not contact with the groove.

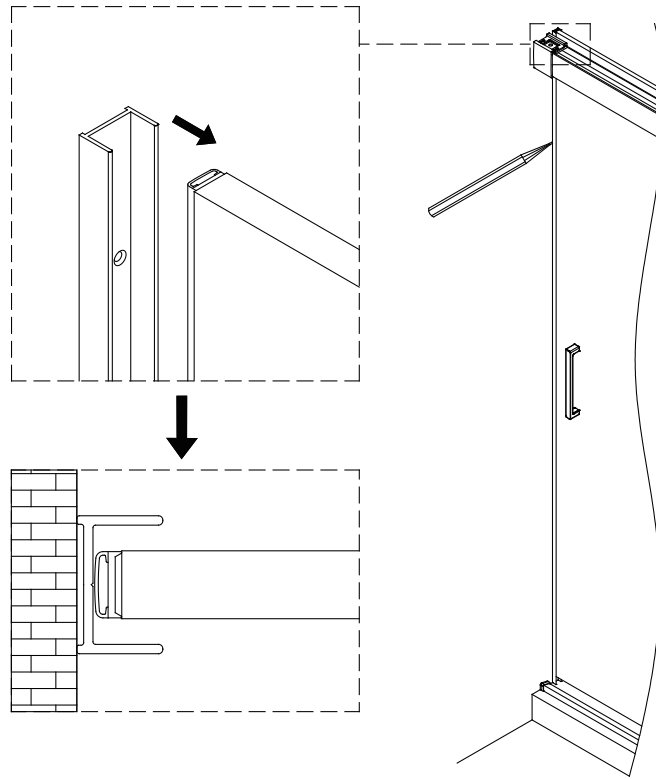


Step 18-4: Tighten the screws at both ends.

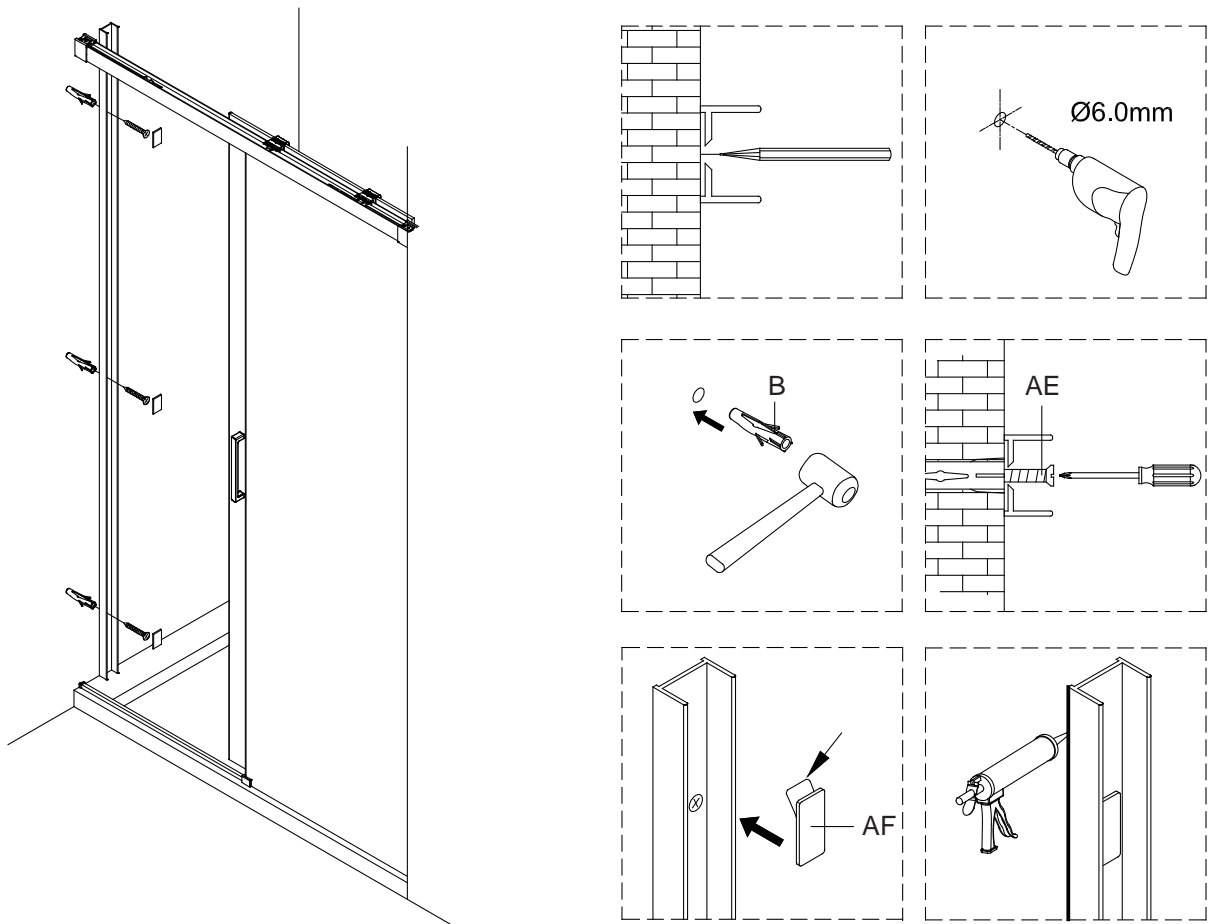


Step 19

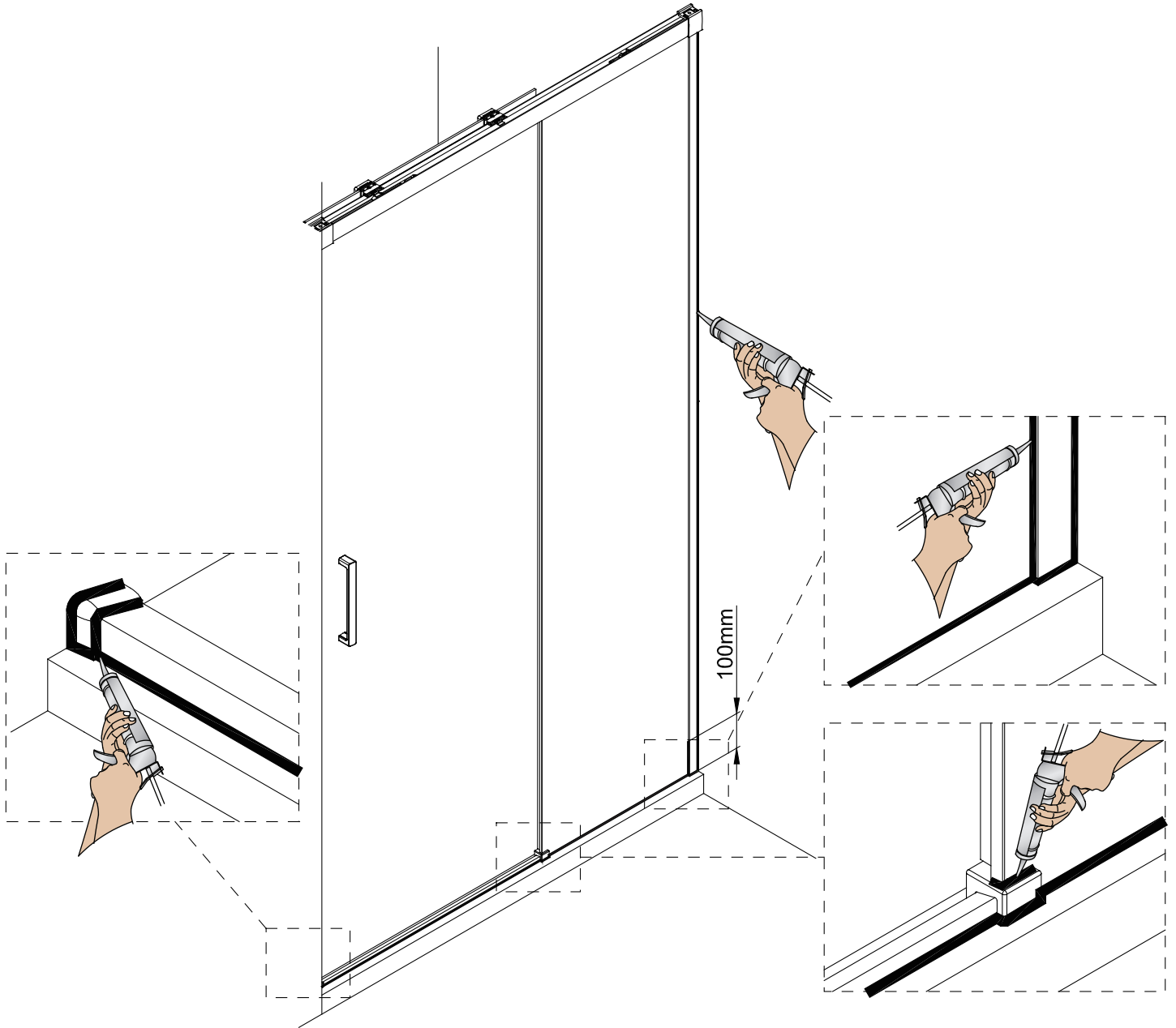
To complete the minimalist look the sliding door has an integrated bubble seal that holds directly onto the wall surface. For uneven surfaces such as mosaic tiles an optional wall channel code DSLADJPROFILE is available.



Step 20



Step 21



simpsons 

For any further information please contact
Simpsons on: **0845 873 5808**

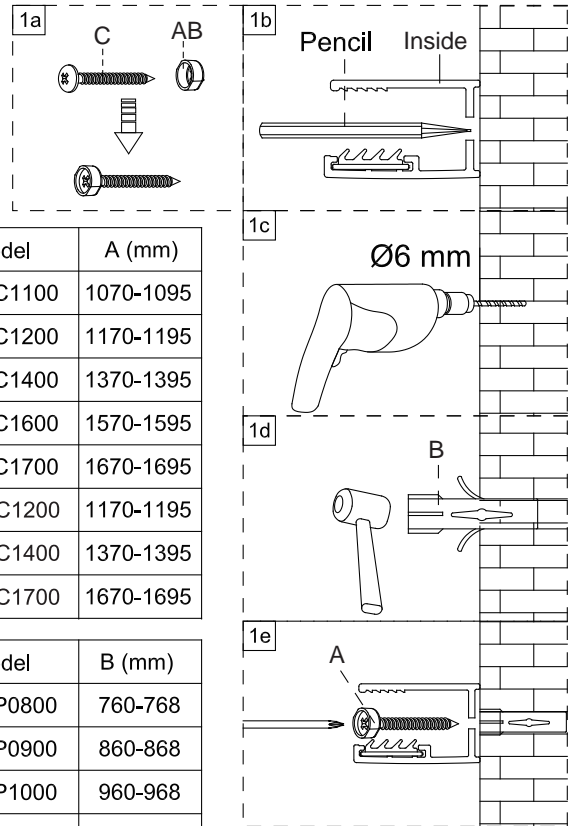
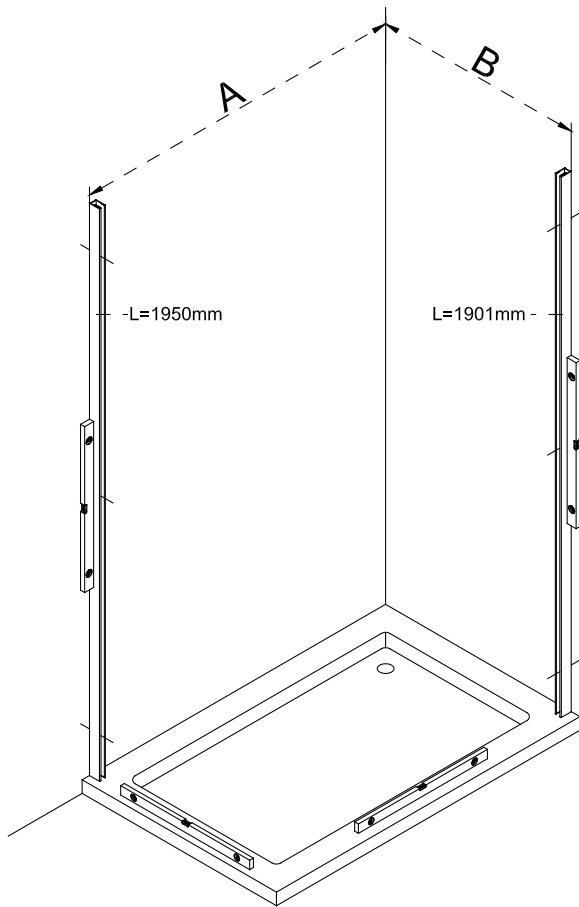
Or visit our web-site at
www.simpsons-enclosures.co.uk

The manufacturer reserves the right to make technical
modifications without prior notice.



SLIDING DOOR + SIDE PANEL

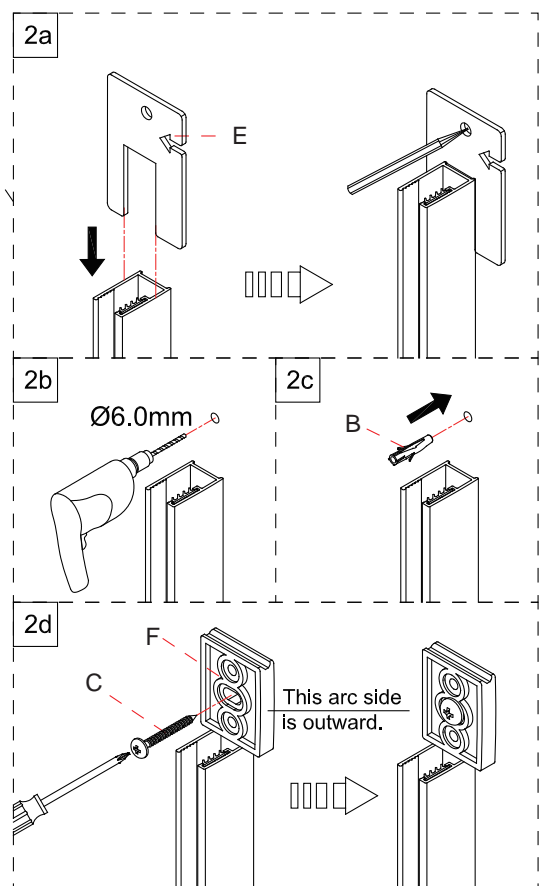
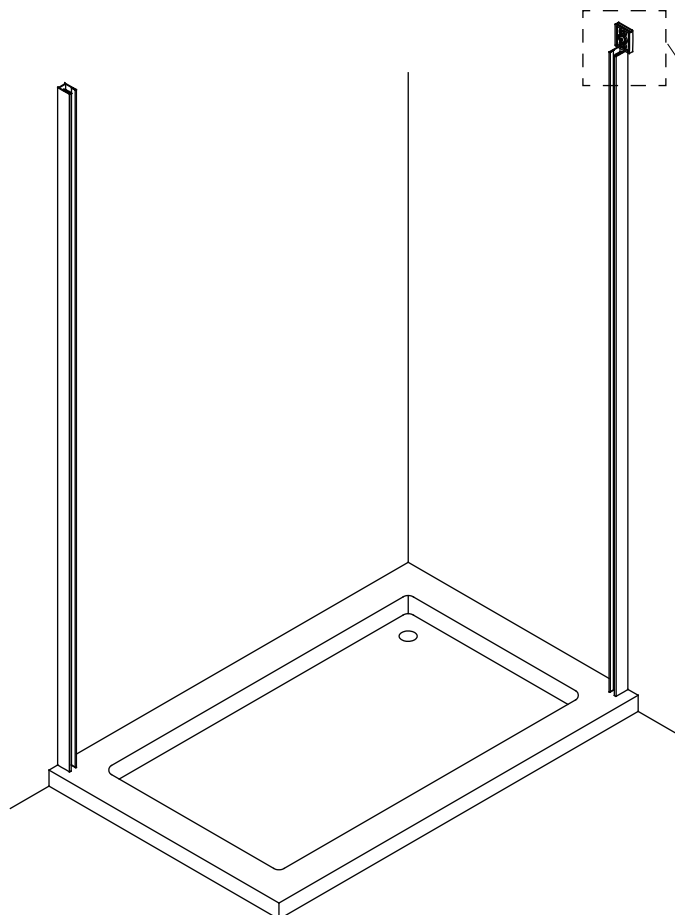
Step 1



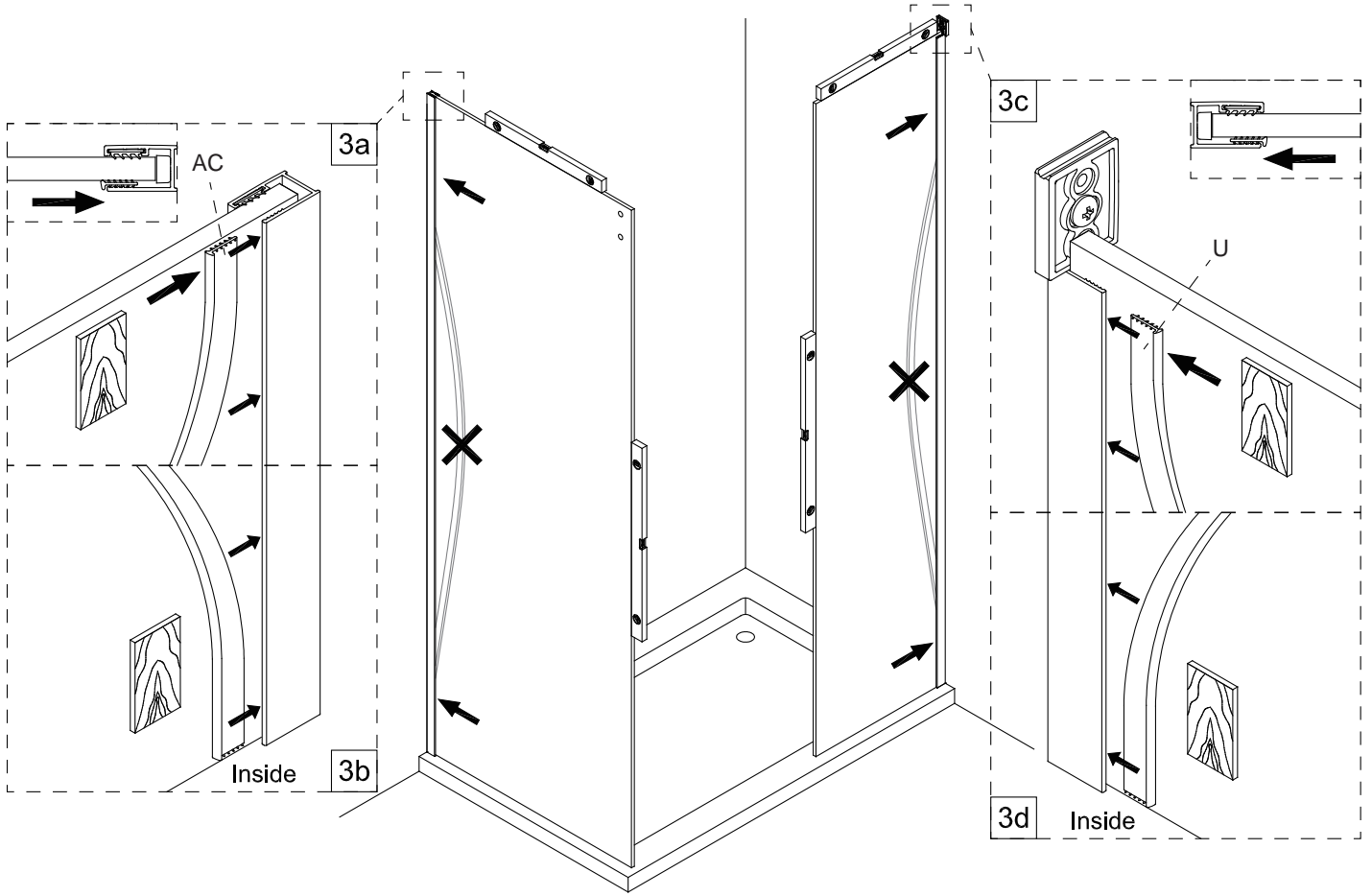
Model	A (mm)
DSLSC1100	1070-1095
DSLSC1200	1170-1195
DSLSC1400	1370-1395
DSLSC1600	1570-1595
DSLSC1700	1670-1695
PRSB1200	1170-1195
PRSB1400	1370-1395
PRSB1700	1670-1695

Model	B (mm)
DSLSP0800	760-768
DSLSP0900	860-868
DSLSP1000	960-968
PRLSP0800BM	760-768
PRLSP0900BM	860-868

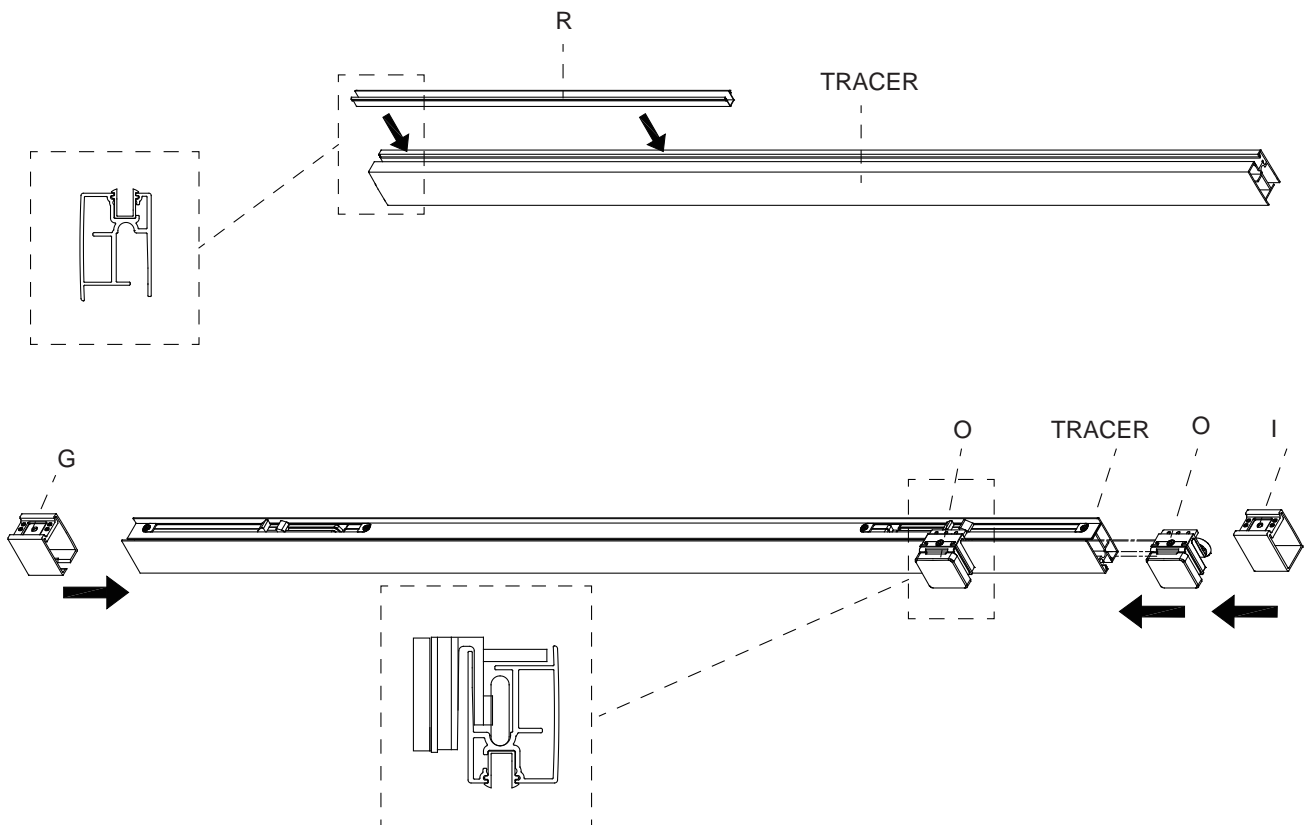
Step 2



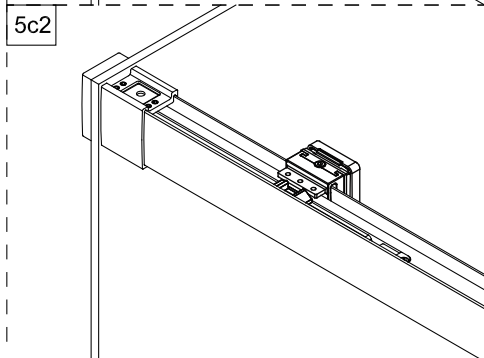
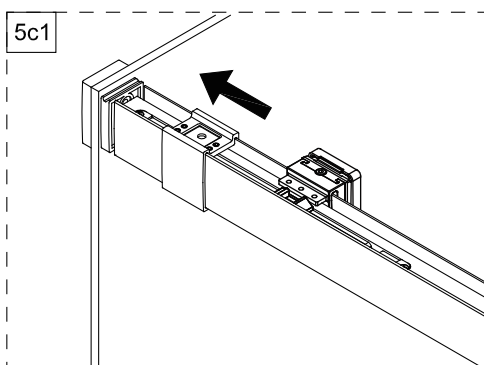
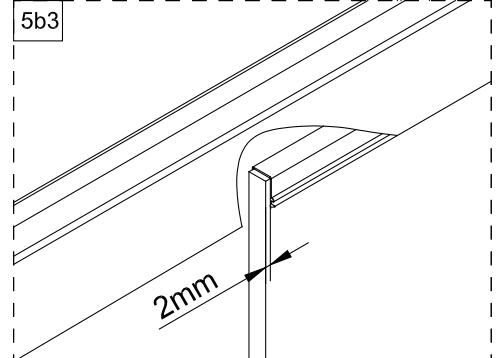
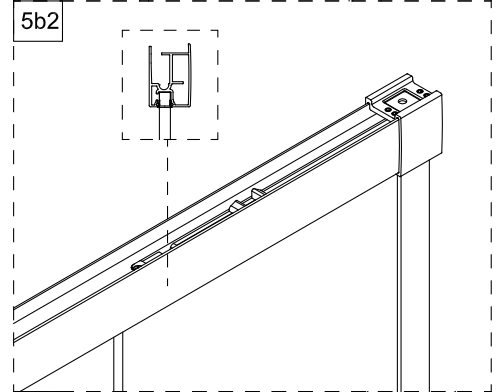
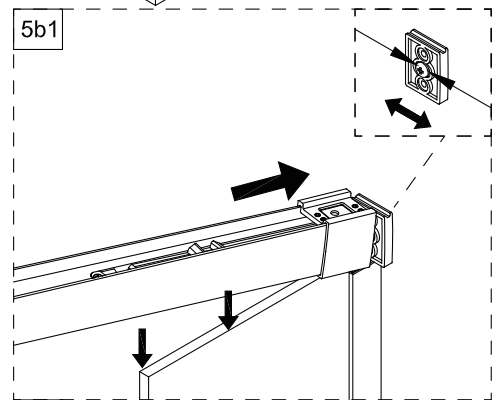
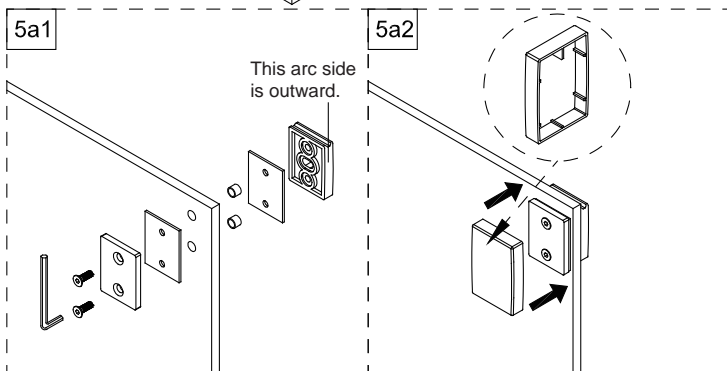
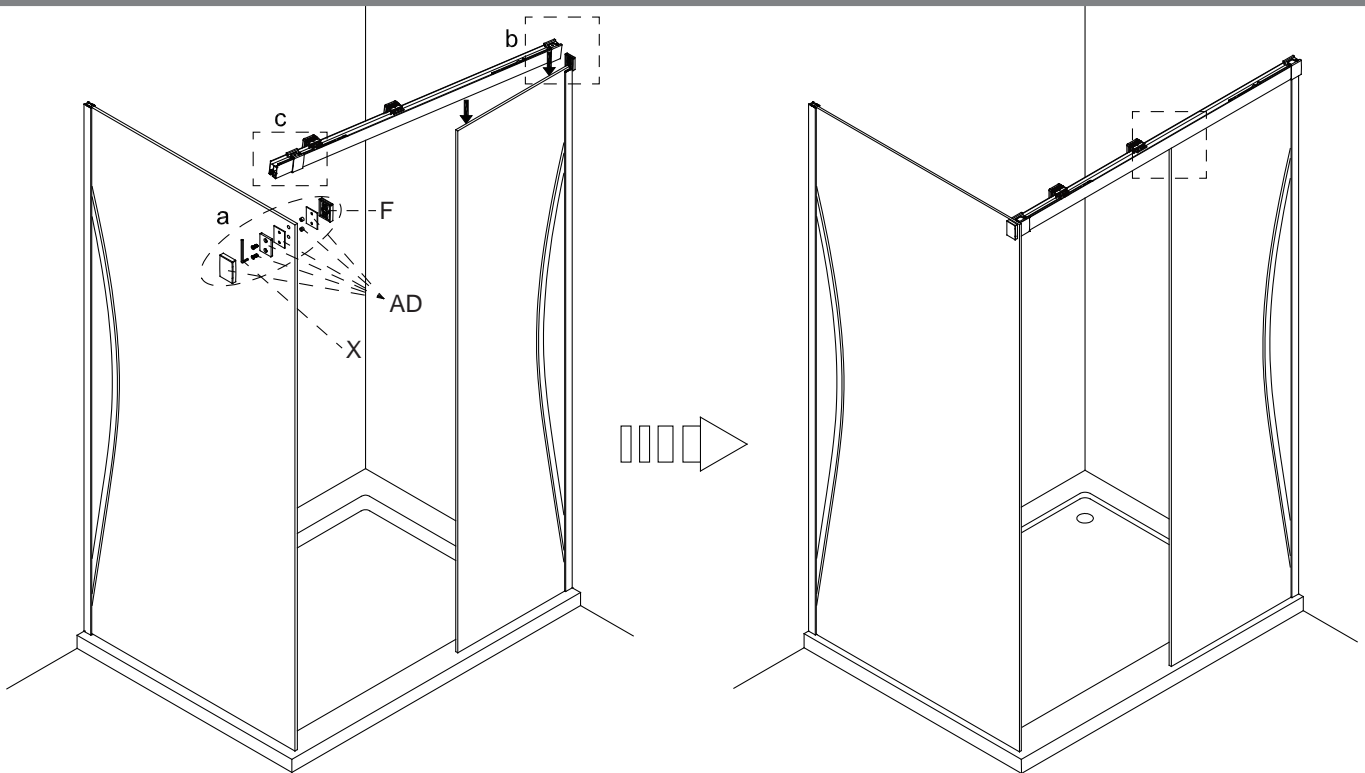
Step 3



Step 4

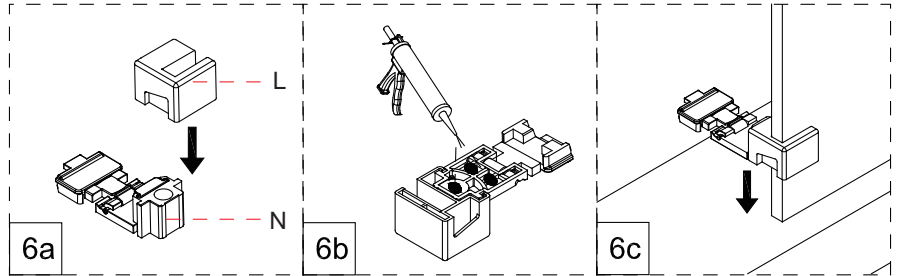
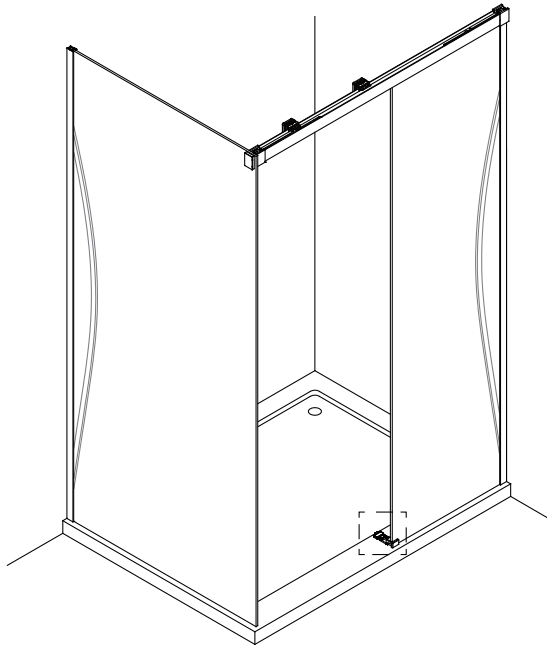


Step 5

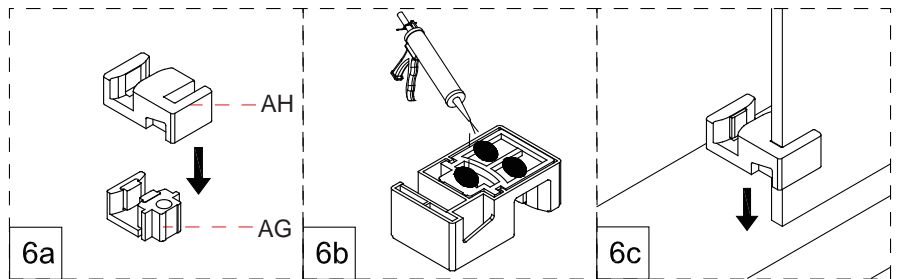


Step 6

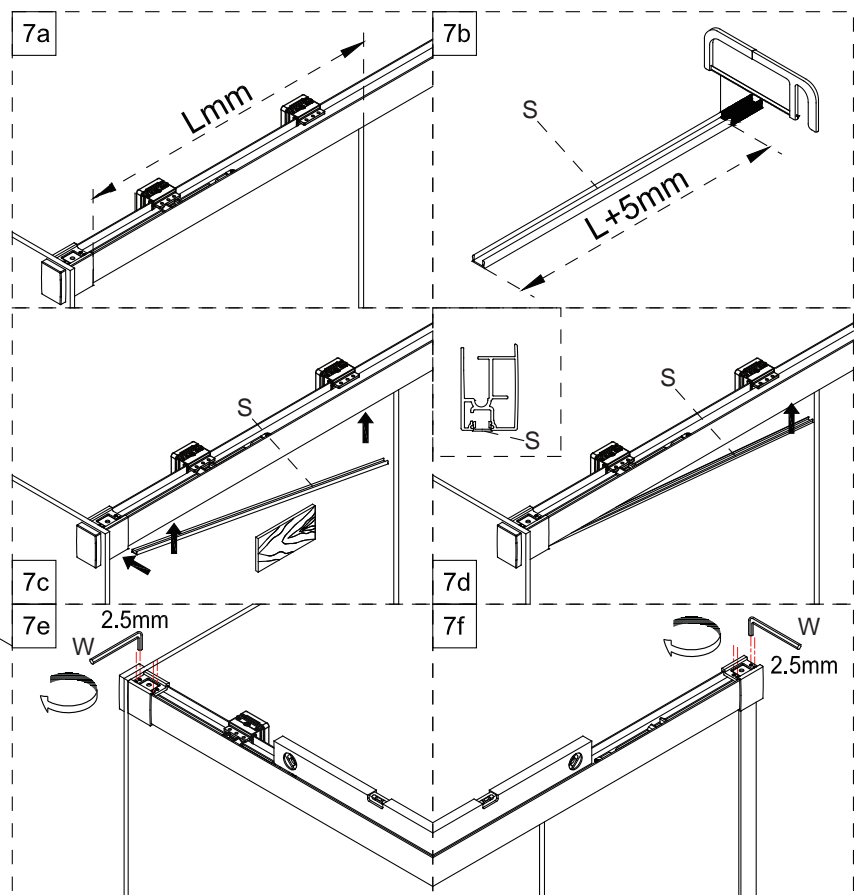
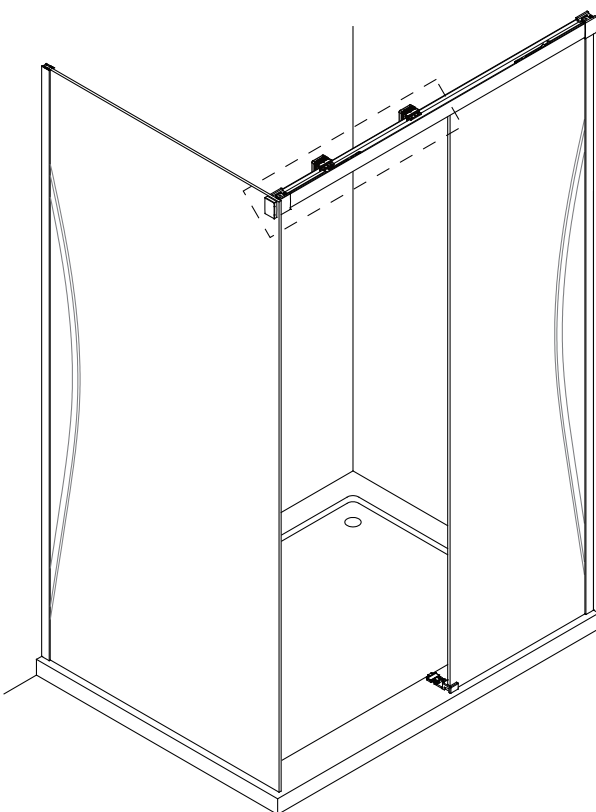
Installation method 1:



Installation method 2:

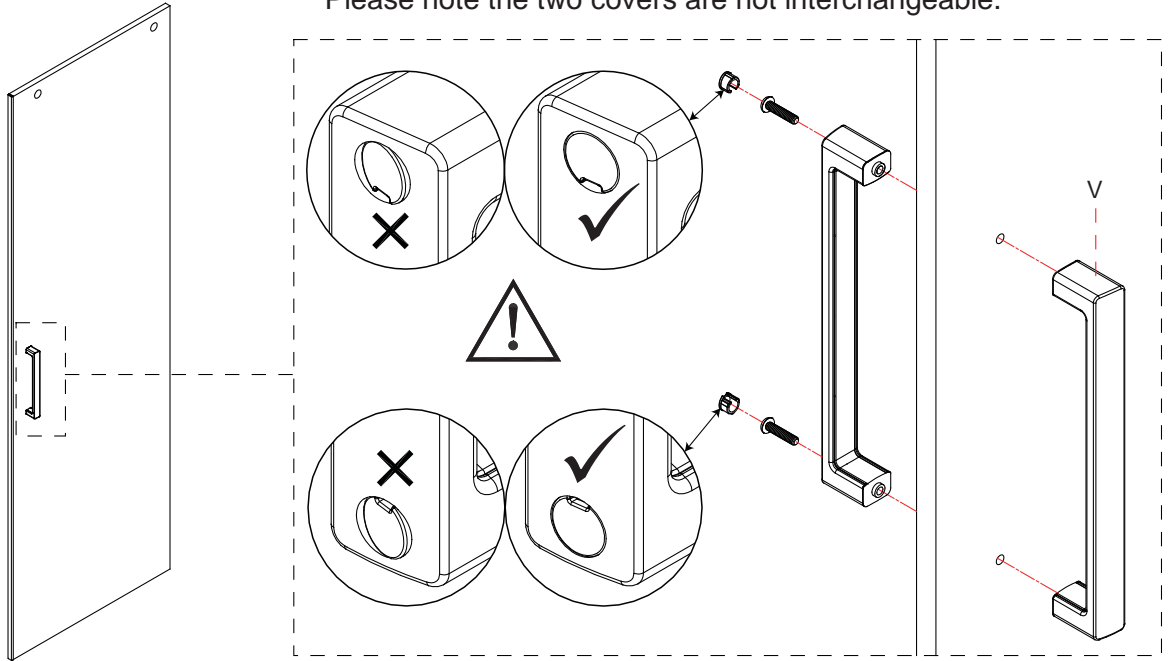


Step 7

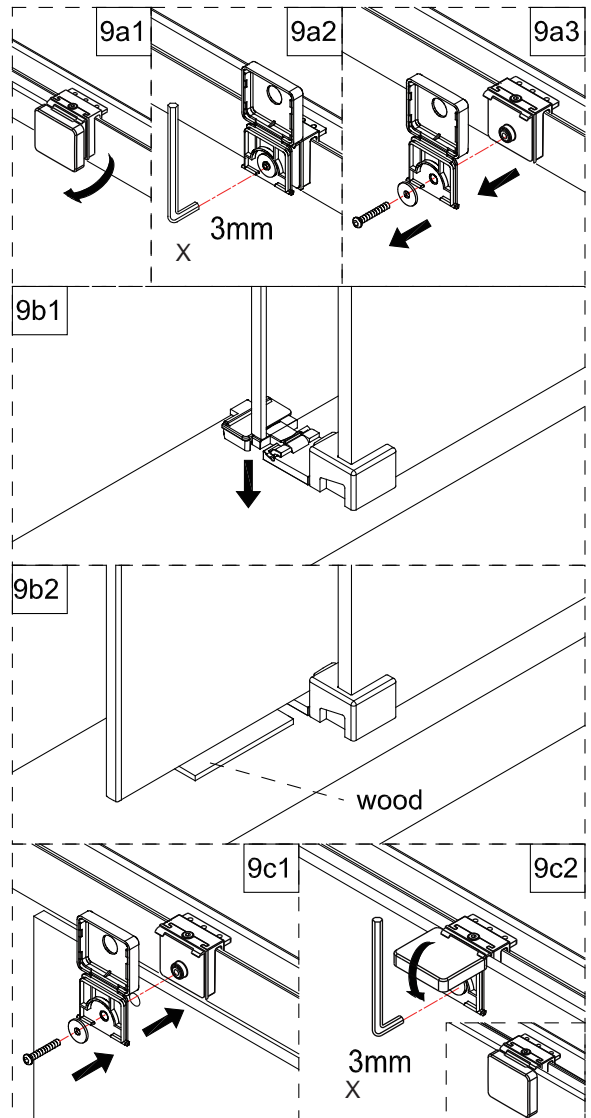
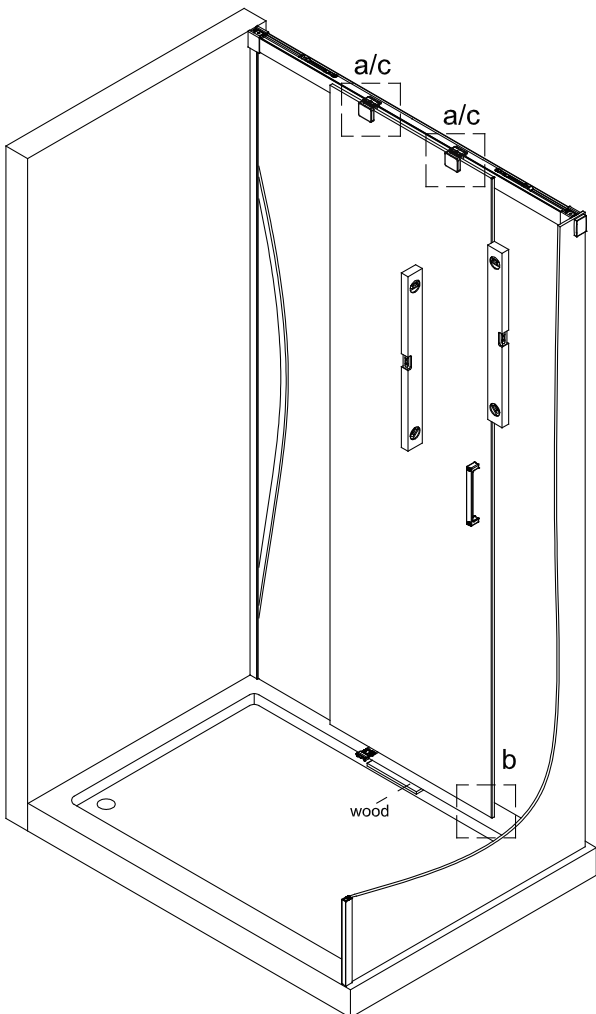


Step 8

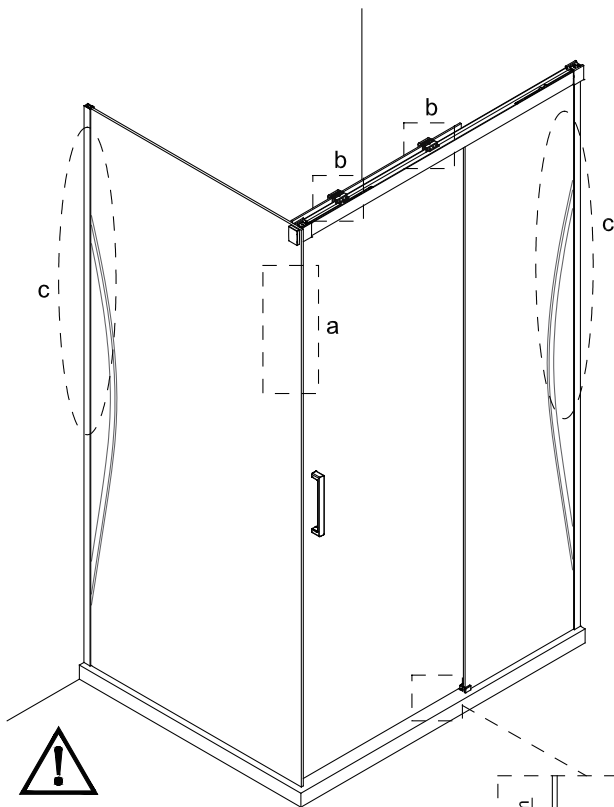
Please note the two covers are not interchangeable.



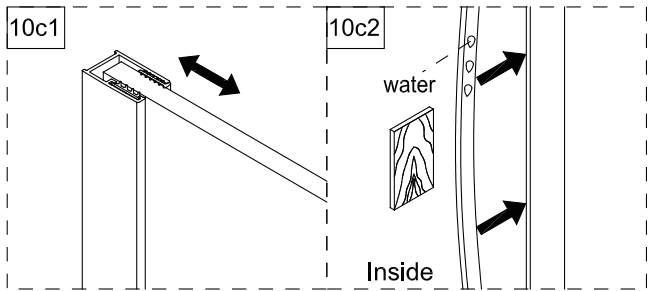
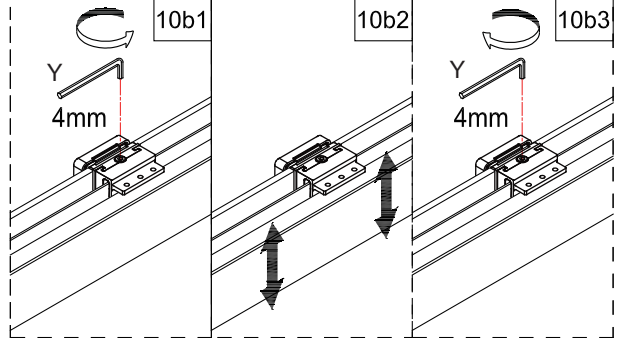
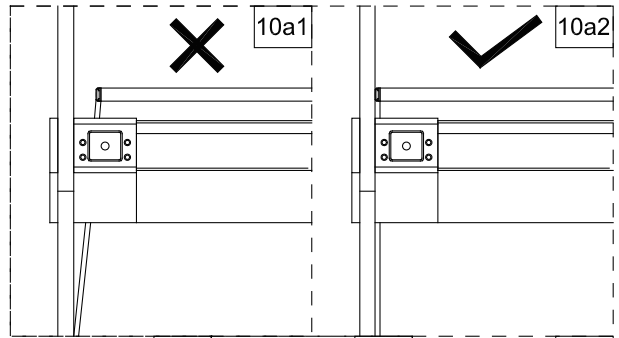
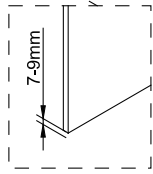
Step 9



Step 10



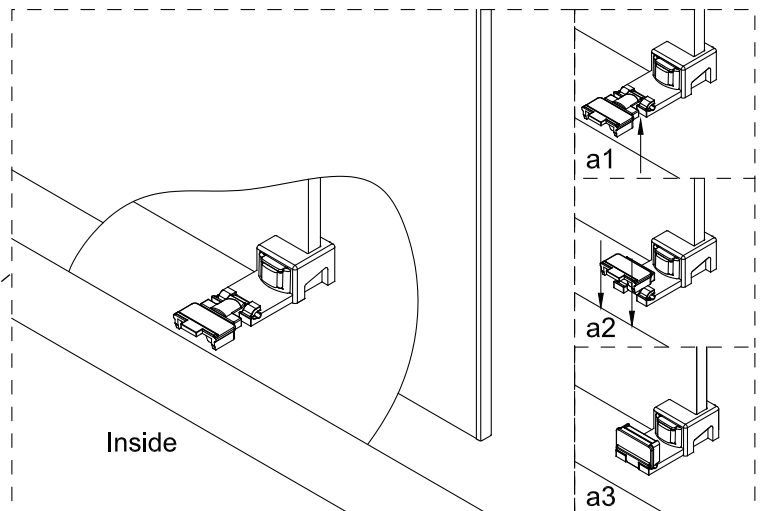
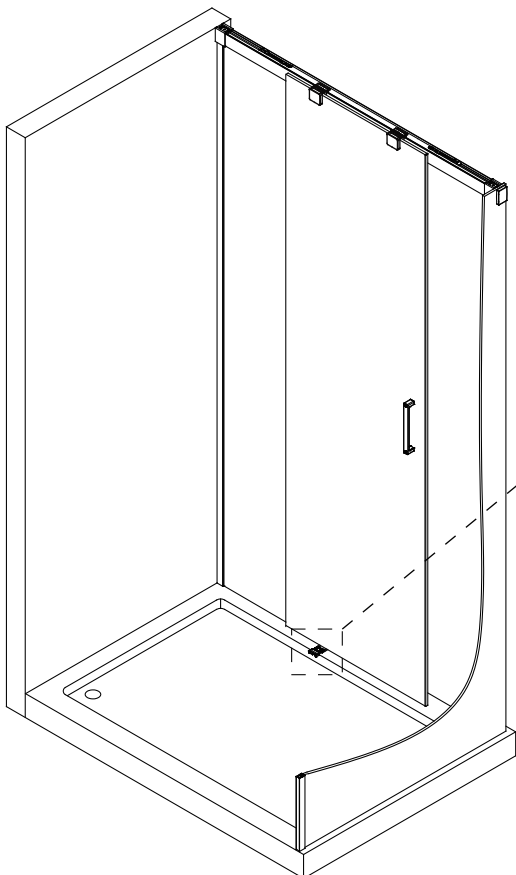
Adjust the sliding door using the middle screw located on top of the roller. Loosening the screw will move the door upward and tightening the screw will move the door downward, please ensure there is a 7-9mm gap between the bottom of the sliding door and the shower tray.



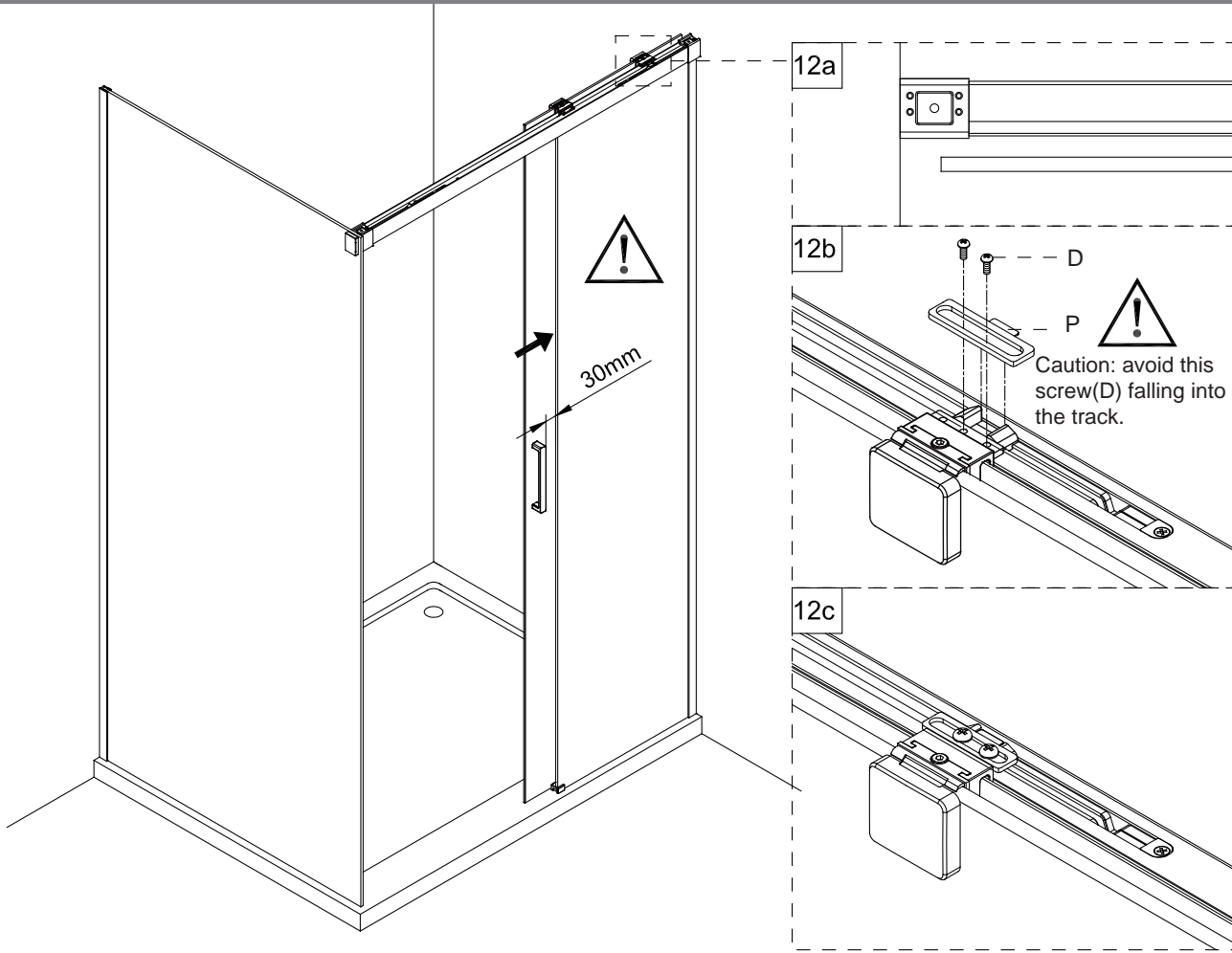
Step 11



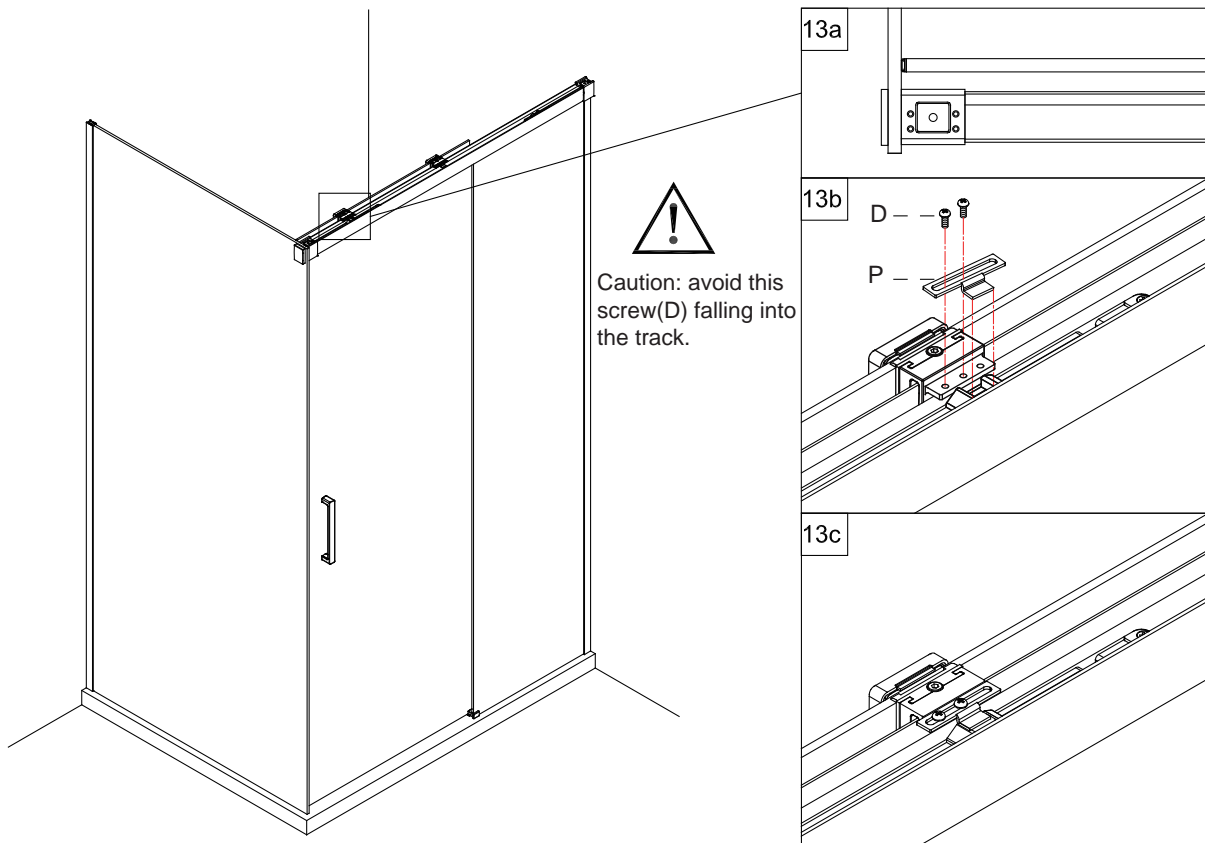
If you chose the part AG, please skip over the step 11 and please go ahead for next step.



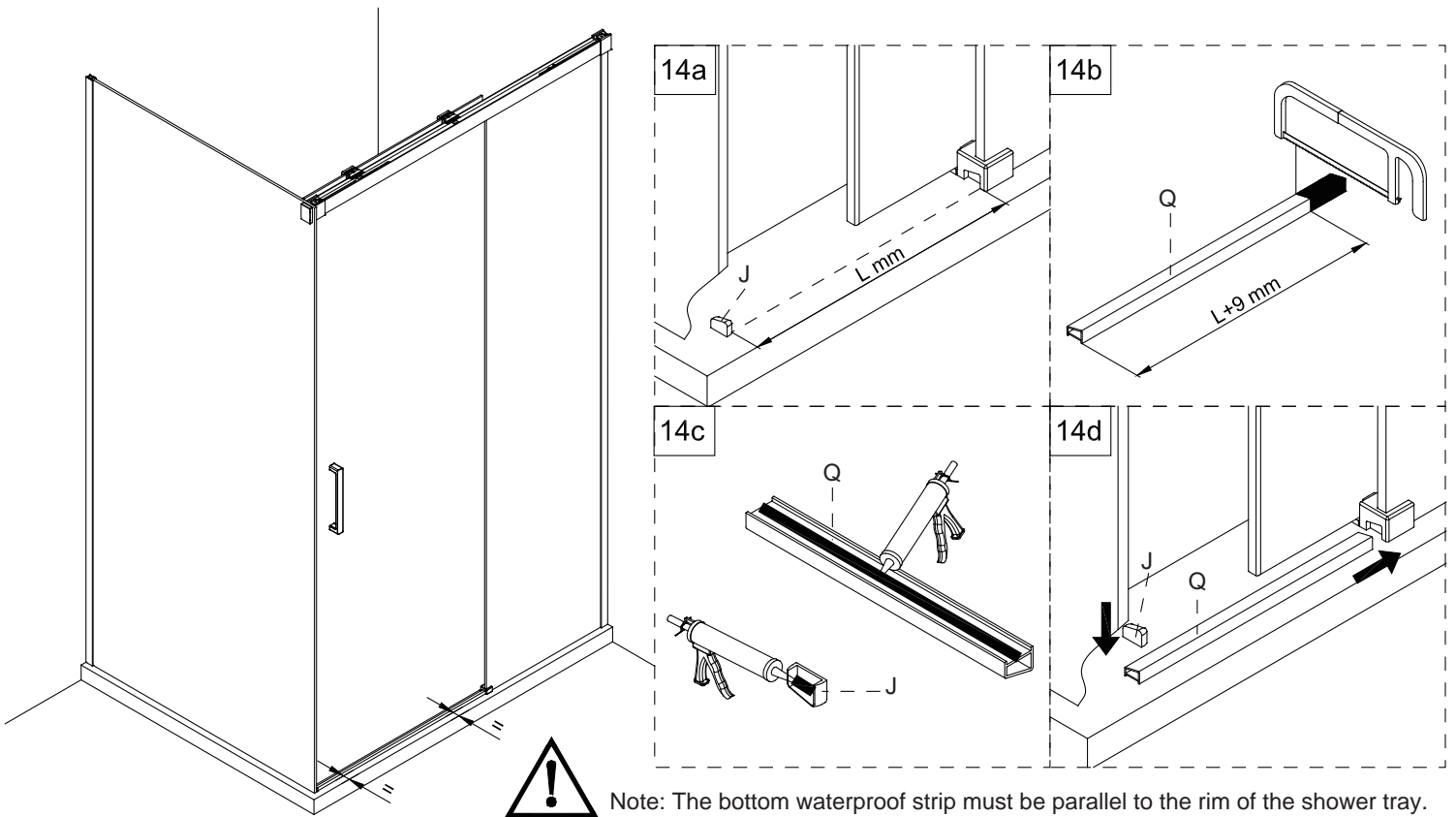
Step 12



Step 13



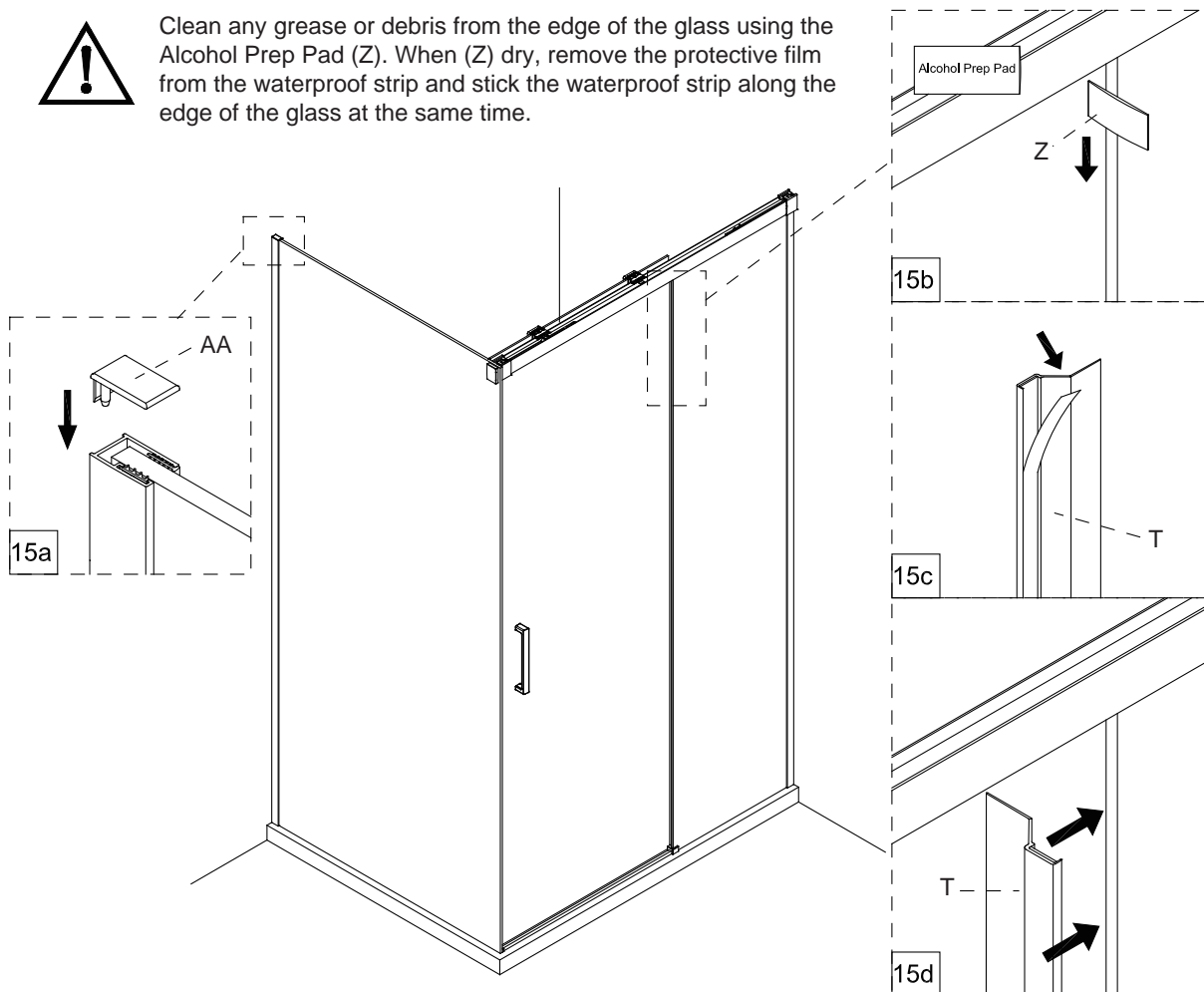
Step 14



Step 15



Clean any grease or debris from the edge of the glass using the Alcohol Prep Pad (Z). When (Z) dry, remove the protective film from the waterproof strip and stick the waterproof strip along the edge of the glass at the same time.

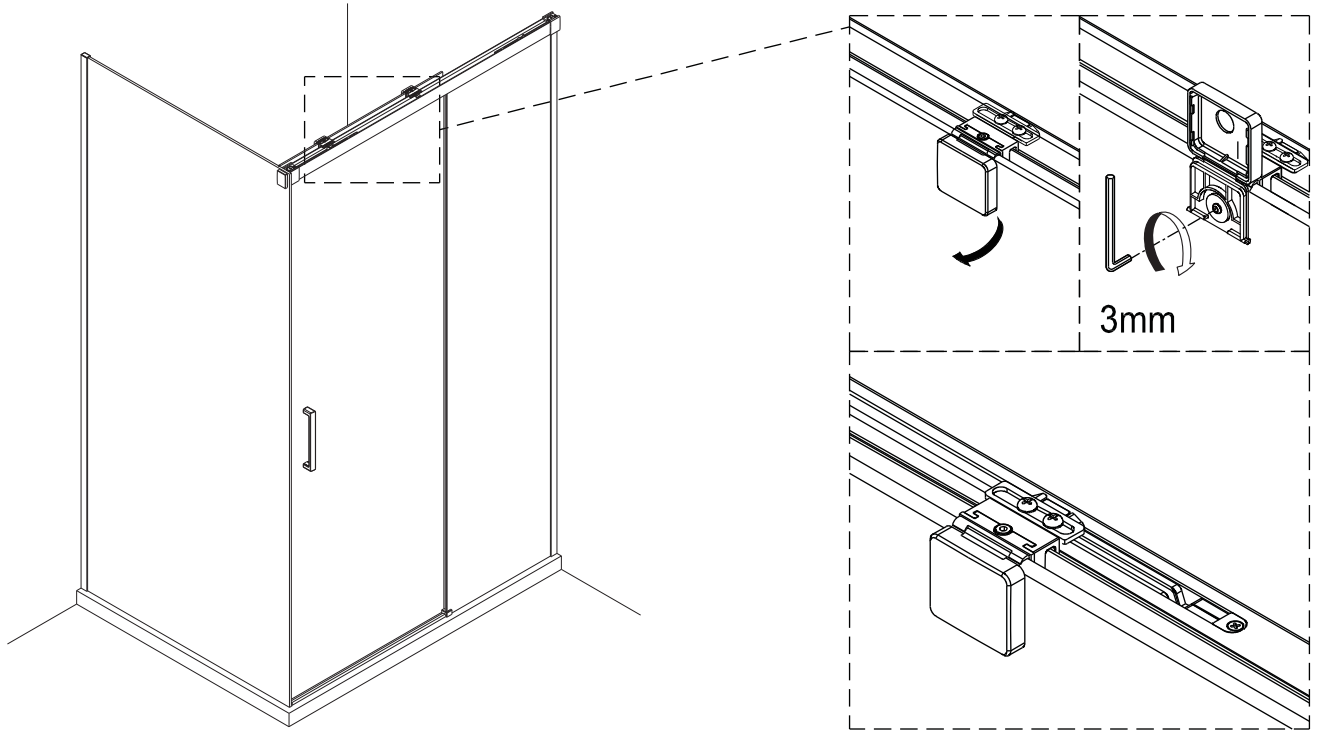


Step 16 Trouble Shooting

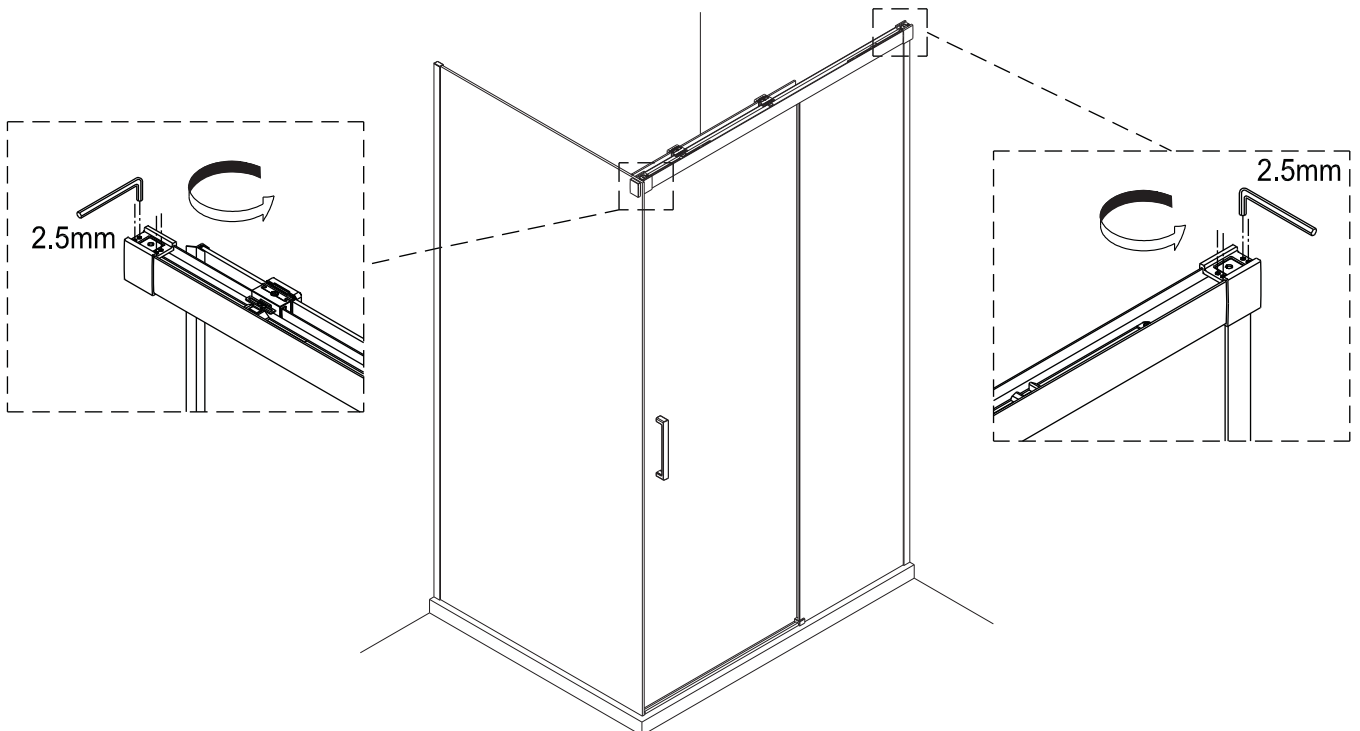


If the slider has a grinding noise during operation, please refer to below instruction to resolve.
If the roller track contacts with the roller holder, then it will have a grinding noise during sliding.
To fix, please follow the below steps:

Step 16-1: Ensure that the screw on the roller is fully tightened.

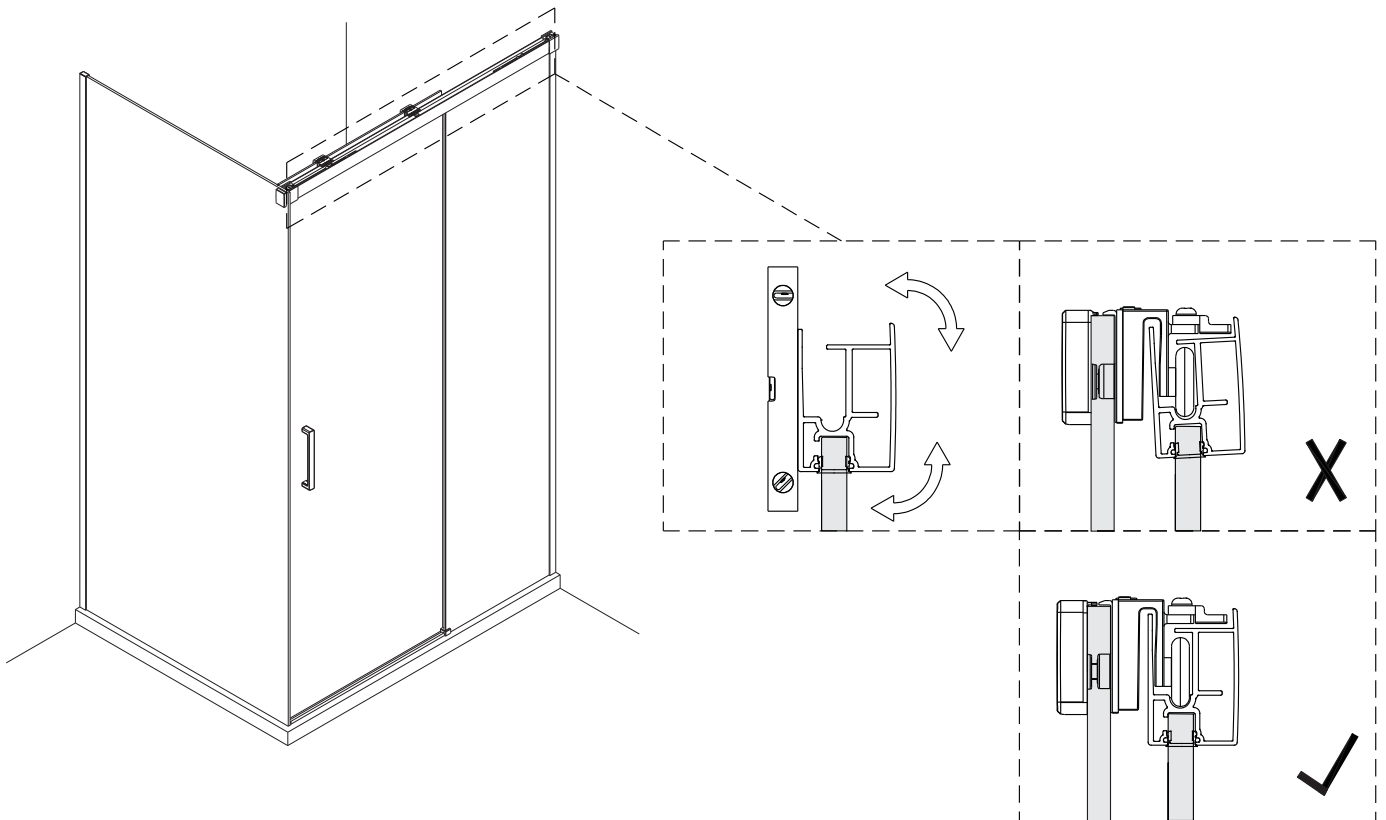


Step 16-2: Loosen the screws at both ends of the roller track slightly.

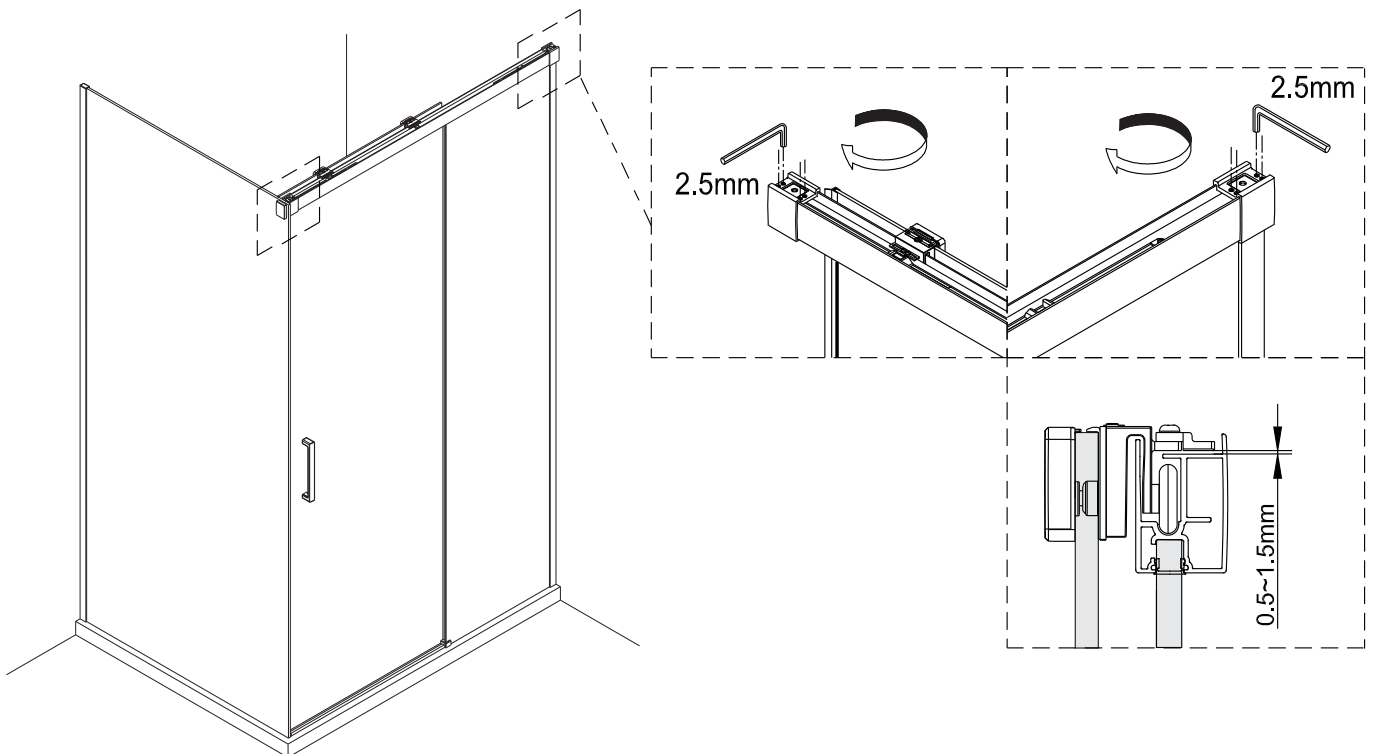


Step 16 Trouble Shooting

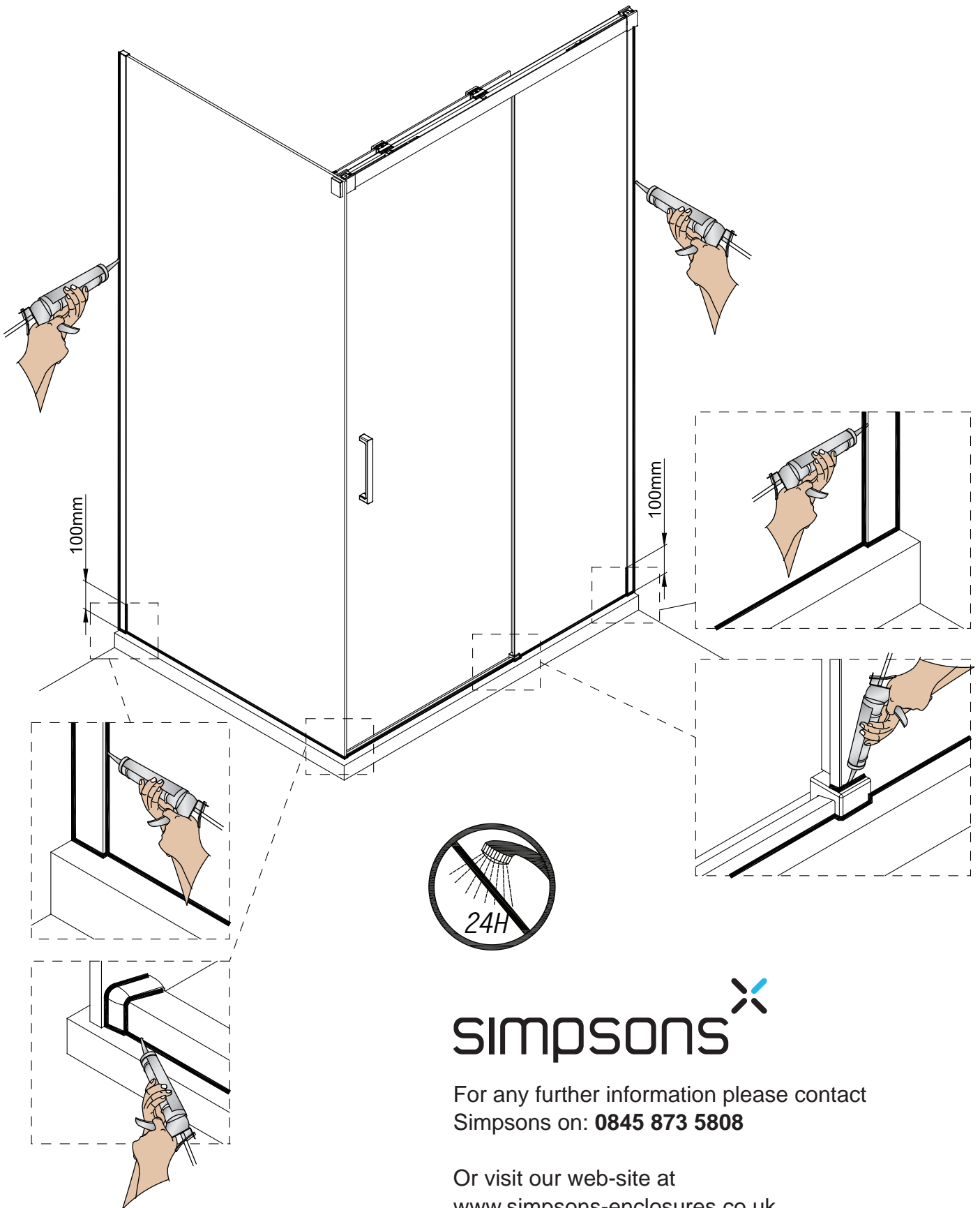
Step 16-3: Slightly adjust the roller track, ensure that the track is in the center of the groove, and it does not contact with the groove.



Step 16-4: Tighten the screws at both ends.



Step 17



simpsons 

For any further information please contact
Simpsons on: **0845 873 5808**

Or visit our web-site at
www.simpsons-enclosures.co.uk

The manufacturer reserves the right to make technical
modifications without prior notice.