

PRODUCT DATA SHEET



PRODUCT CODE
FB1011SRW

RANGE
FURN BASIN

DESCRIPTION
Furniture Basin 1000mm 1TH White
Overflow

COLOUR White

MATERIAL Cast Mineral Marble

STANDARDS EN 31/EN 14688 - CL0

INSTALLATION TYPE Furniture Mounted

DOP CLASS 01-2017

CAPACITY OF WATER AT
OVERFLOW LEVEL 15 L

BASIN WASTE SIZE 45mm

TAP HOLES 1TH

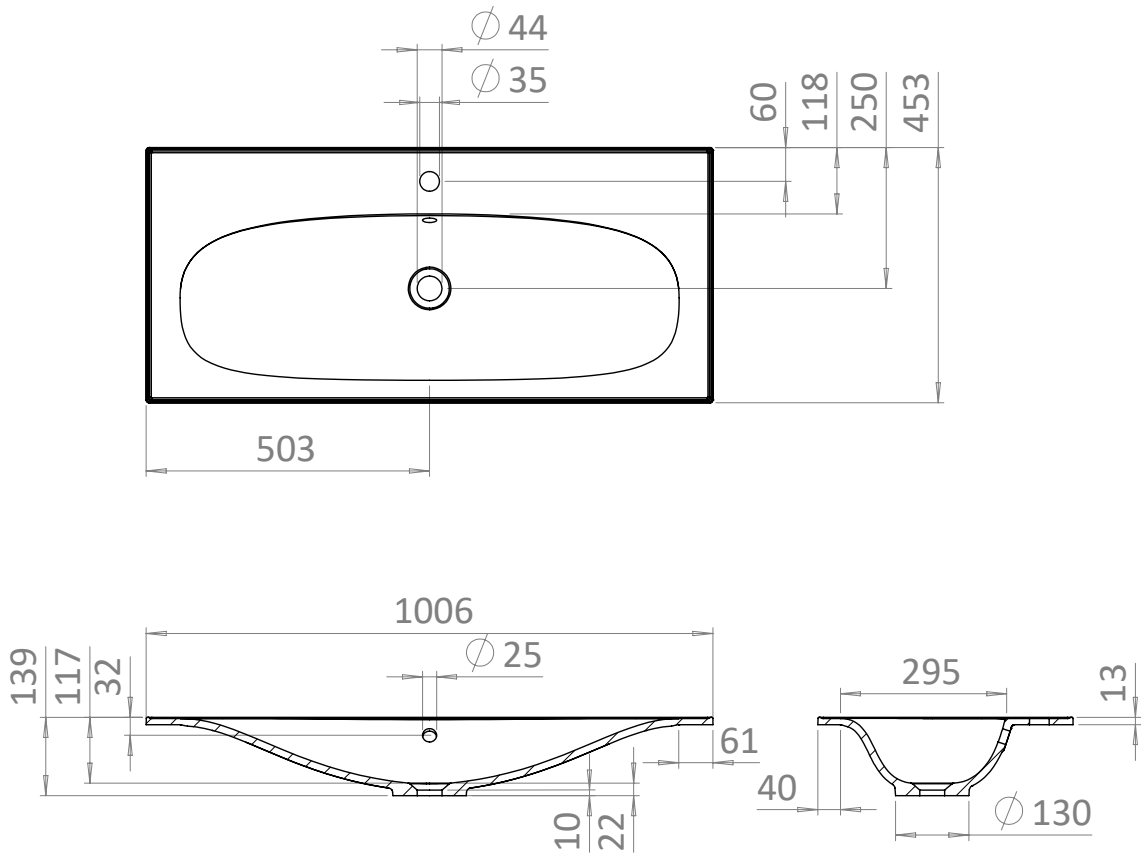
OVERFLOW Yes

WARRANTY 10 Years

TECHNICAL DIMENSIONS

Dimensions in mm unless otherwise specified.

Tolerances (per material type) apply.



V10522