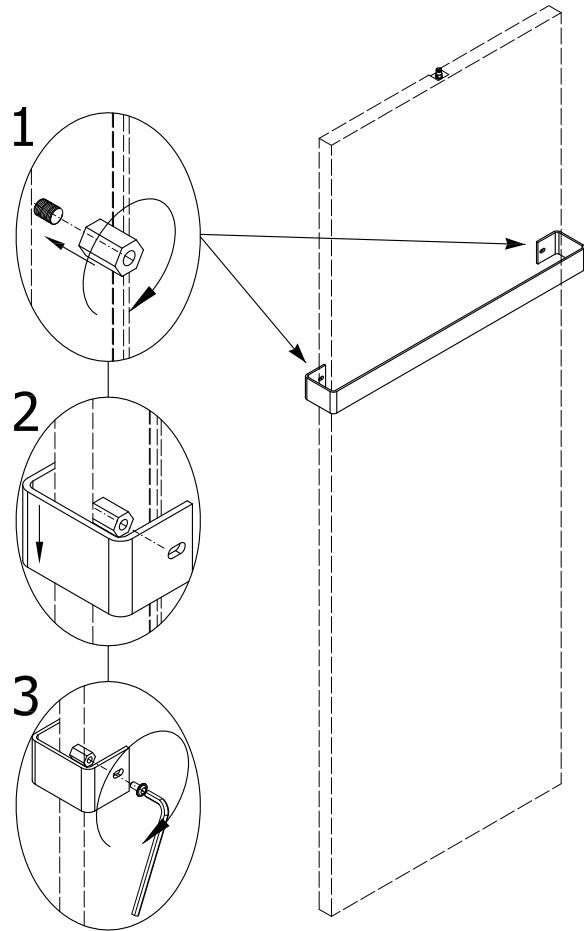


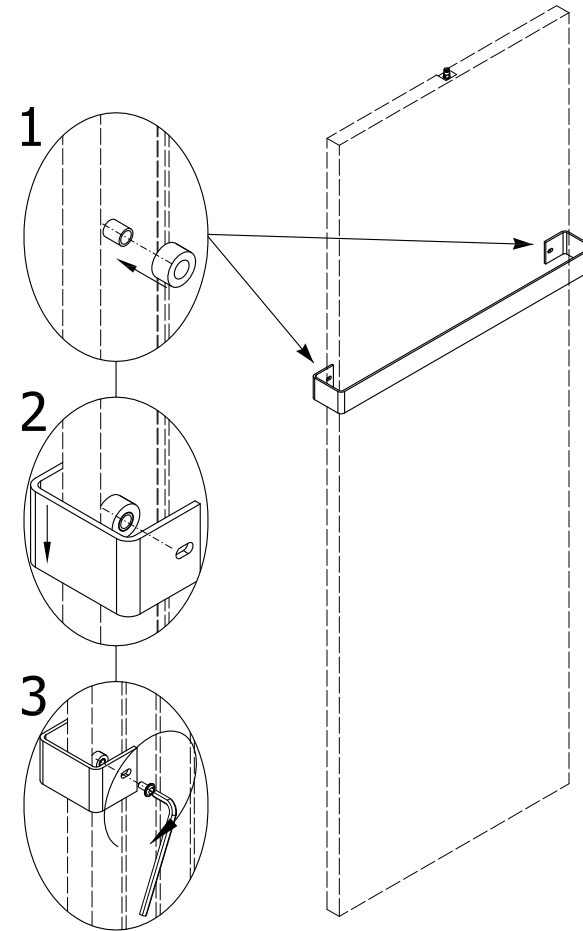


VARIANT 1



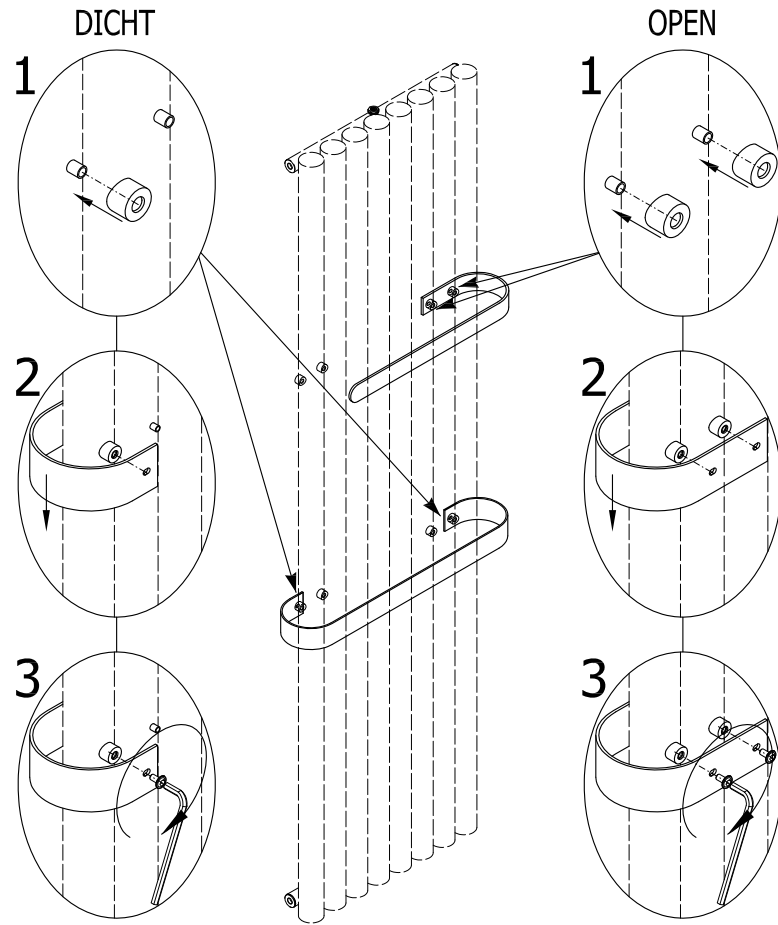
- 1x
- 1x INBUS 4mm
- 2x M6x10
- 2x


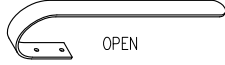
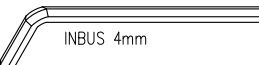

VARIANT 2



- 1x
- 1x INBUS 4mm
- 2x M6x10
- 2x

# TRENTO



- 1x  DICHT
- 1x  OPEN
- 1x  INBUS 4mm
- 2x  M6x10
- 2x 