

EN/ INSTALLATION INSTRUCTIONS

Reflex quadrant entry 800/900

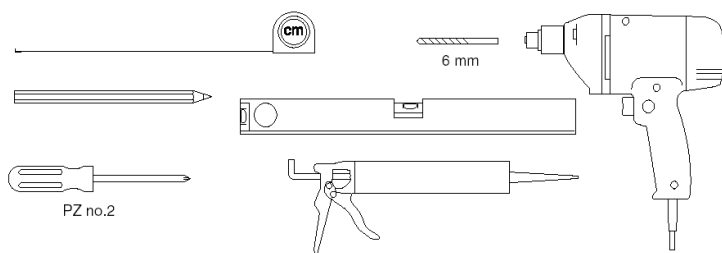
Adjustable range 800: (785 - 805) x (785 - 805) x 1850 mm

Adjustable range 900: (885 - 905) x (885 - 905) x 1850 mm

Mounting preparation

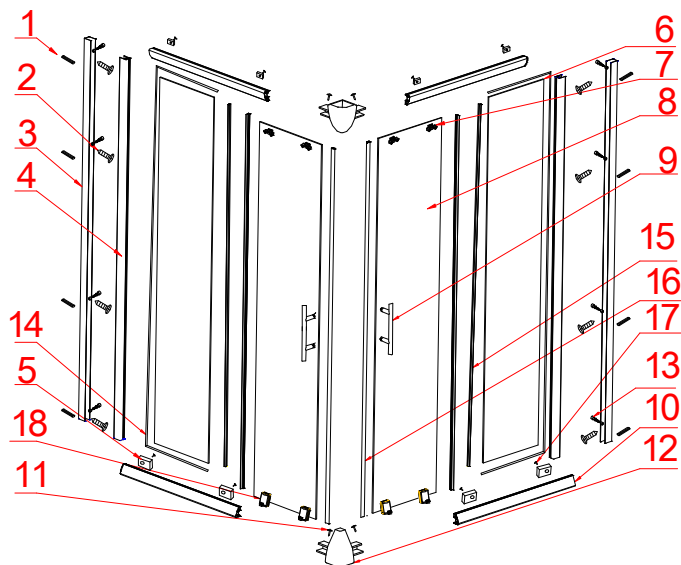
After opening the packaging, read the instructions carefully. Check whether all parts are present and there are no signs of shipping damage. If you find any problems, please contact your retailer directly.

Necessary tools: electric drill, masonry drill (\varnothing 6 mm), drill (\varnothing 3.2 mm), crosstip screw driver, spirit level, tape measure, pencil and silicone sealant.



Packing list

- | | | |
|-------------------------|--|-------------------------------------|
| 1. Wall plug 8x | 8. Sliding door 2x | 14. Seal fixed panel 2x (wall side) |
| 2. ST4x30 screw 8x | 9. Handle 2x | 15. Vertical seal 4x |
| 3. Wall profile 2x | 10. Rail profile 4x | 16. Magnetic profile 2x |
| 4. Fixed profile 2x | 11. ST4x10 screw 8x | 17. ST4x8 screw 8x |
| 5. Door stop 8x | 12. Corner joint 2x | 18. Bottom slider 4x |
| 6. Fixed glass panel 2x | 13. ST4x10 screw 8x (incl. screw cap, rubber washer) | |
| 7. Tandem roller 4x | | |



Mounting process

1. If the corner entry is placed onto a tray, level the tray first by using a spirit level to check whether the tray is placed horizontal. In case the corner entry is installed directly onto the floor, please proceed with step 2.
2. Put the wall profiles (3) against the wall, ensuring the distance between the profile and the wall is 780 or 880 mm is (corner entry size 800/900). Adjust the profile to make sure it is vertical by using a spirit level. Mark the holes on the wall, as shown in figure 1.

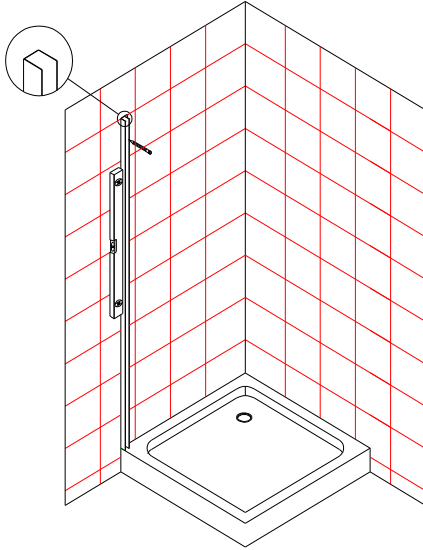


Figure 1

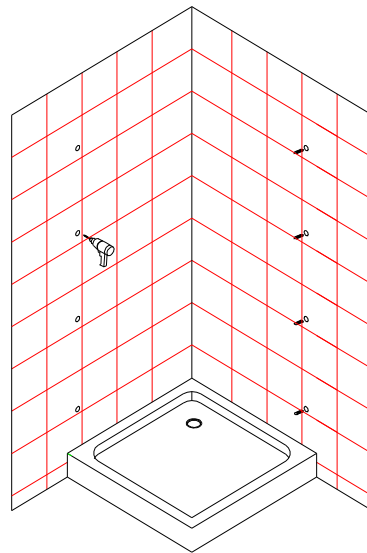


Figure 2

3. Drill the holes ($\varnothing 6$ mm) according to the marks and insert the wall plugs (1) into the holes, as shown in figure 2.
4. Fix the wall profiles (3) with the ST4x30 (2) screws to the walls, as shown in figure 3.

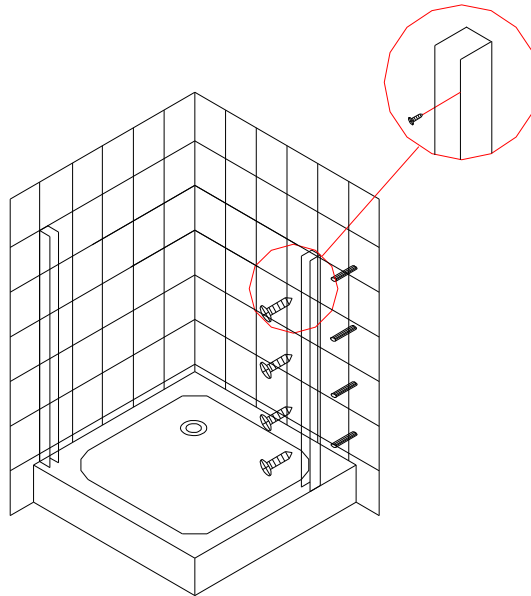


Figure 3

- Attach the seal of the fixed panel (14) to the wall side of the fixed panel (6). Place the fixed glass panel (6) between the two rail profiles (10), as shown in figure 4.

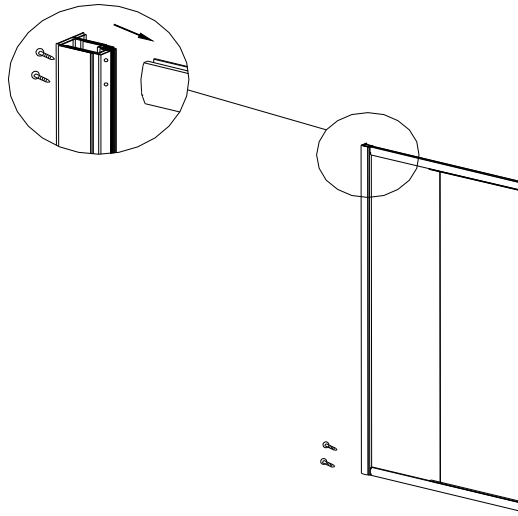


Figure 4

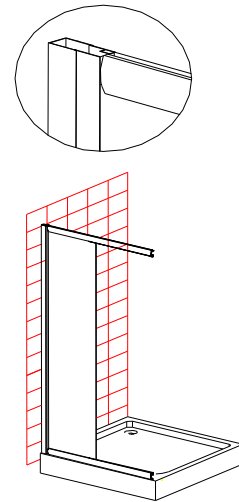


Figure 5

- Fix the construction made in step 5 to the fixed profile (4) by using the ST4x30 screws, two screws used at top and two at bottom of the fixed profile (4), as shown in figure 4 and 5.
- Repeat step 5 and 6 for the other fixed glass panel (6).
- Attach the vertical seal (15) on the other side of the fixed panel (6).
- Assemble the handles (9), tandem rollers (7) and bottom sliders (15) on both sliding doors (8), as shown in figure 6.

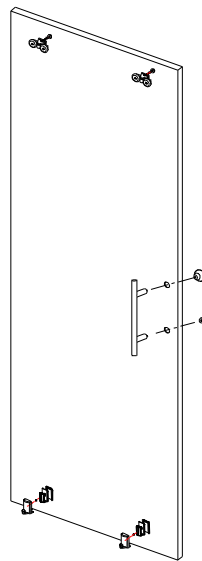


Figure 6

- Attach the vertical seals (15) to the wall side of the sliding doors (8) and the magnetic profiles (16) to the other sides.

11. Place both fixed profiles (4) into the wall profiles (3), as shown in figure 7, do not yet fasten with screws.
12. Place one sliding door (8) into the rail profiles (10), as shown in figure 8. Repeat this for the second sliding door (8).

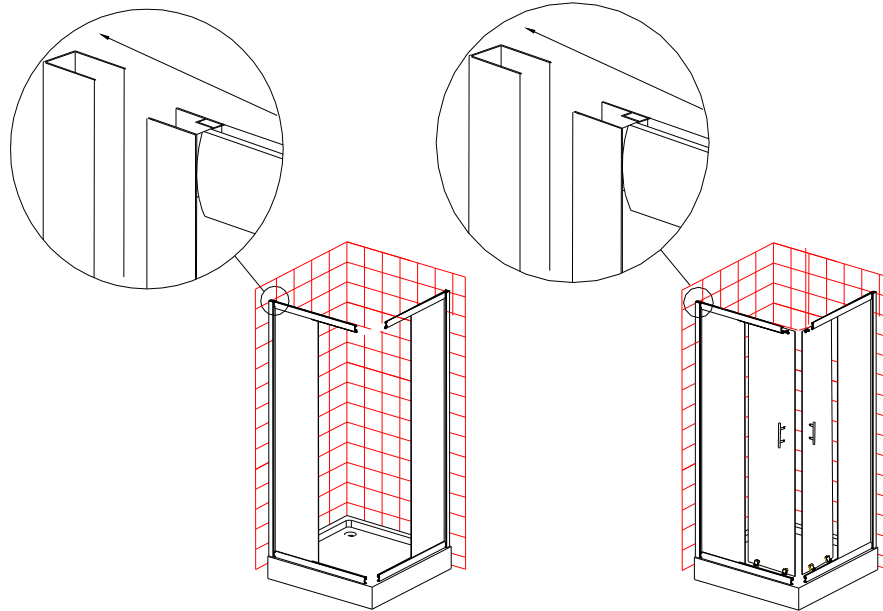


Figure 7

Figure 8

13. Fix the corner joints (12) into the rail profiles (10) with the ST4x 10 screws (11), as shown figure 9a.

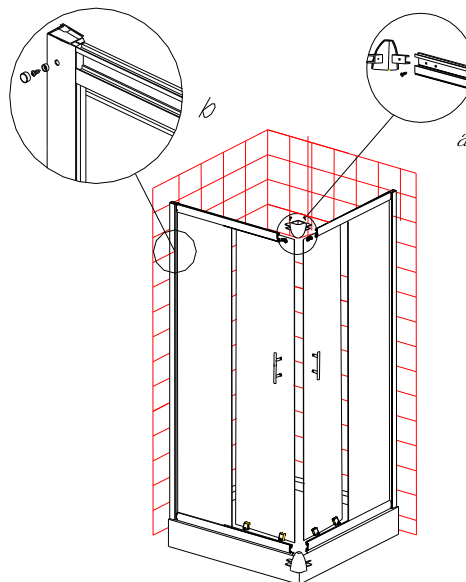


Figure 9

14. Drill in each wall profile (3) four holes of $\text{Ø } 3.2 \text{ mm}$ on the inside of the corner entry. Use the rubber washers (13) and ST4x10 screws (13) to fix the profiles, as shown in figure 9b. Press the screw caps (13) over the screws.
15. Mount the door stops (5) to the rail profiles (10), as shown in figure 10.

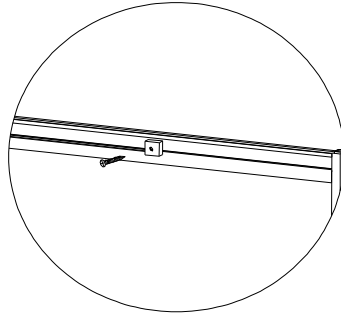


Figure 10

16. Check whether the sliding doors (8) open and close smoothly and, if necessary, align the doors by adjusting the tandem rollers (7), as shown figure 11.

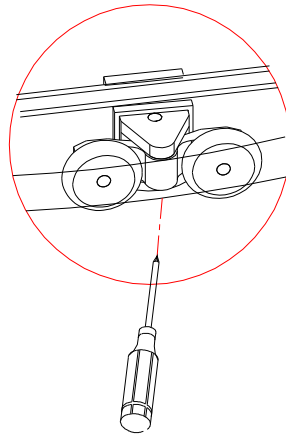


Figure 11

17. Finally, at all points connected to the wall, shower tray/ floor and the profiles, use silicone sealant only on the outside of the cubicle.