



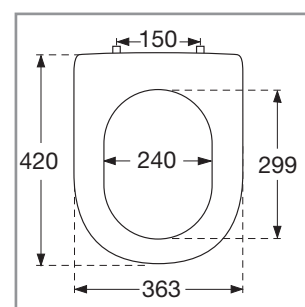
Toilet seat Omnia architectura

Model

98M9 D1 Omnia architectura toilet seat, incl. 9222 35 61 fixed toggle hinge

Product Description

Omnia architectura toilet seat in Wrap Over design made of colour ingrained duroplast with hinge in stainless steel and plastic
 – incl. fixed toggle hinge in stainless steel
 – centre distance: 155 mm
 – load of ring seat: 240 kg
 – 10 year guarantee



Colour Programme

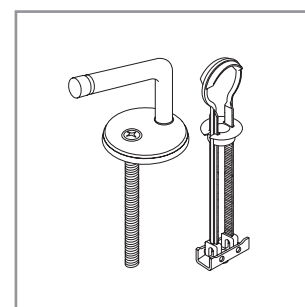
R1 White (Alpin)

Hinge Finish

61 Stainless steel

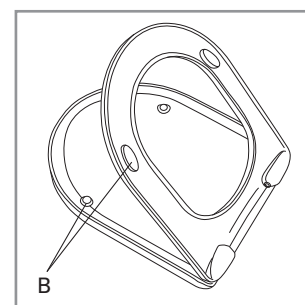
Spare Parts

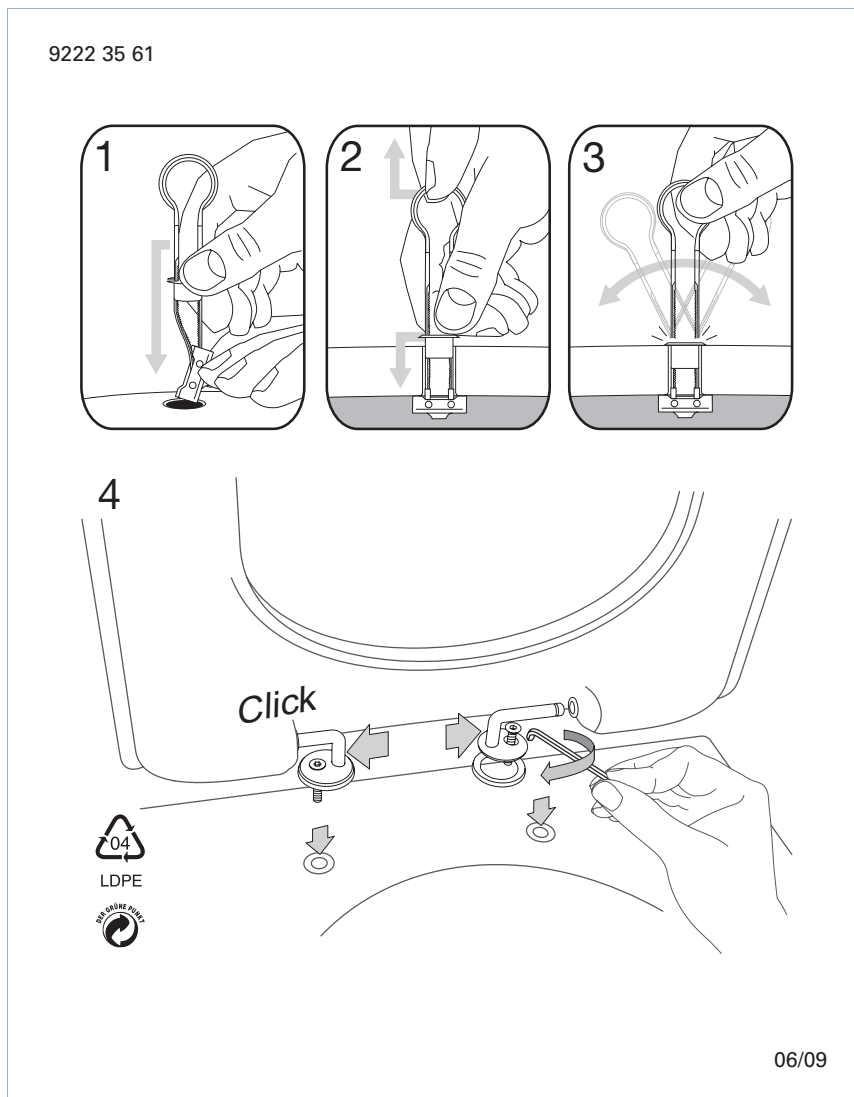
A) 9222 35 61 Fixed toggle hinge
 B) 9222 02 00 Buffers for seat and cover



Cleaning Instructions

Use a mild soap solution. Seat and hinge should not be left damp, but be dried with a soft cloth. When using abrasive, corrosive or chlorine based cleaners for the bowl, avoid contact with seat and hinge as it may lead to damages or flash rust. Therefore, when cleaning the bowl, make sure that seat and cover are in an upright position until all the cleaner has been flushed away





Material Description

TOILET SEAT: The material is colour ingrained duroplast (UF A 10 = urea formaldehyde) that contains no environmentally hazardous substances. The body consists of approx. 50% urea (NH_2CONH_2), approx. 25% cellulose and approx. 25% formaldehyde (HCHO), as well as small amounts of various fillers and additives.

BUFFERS: EVA (copolymer made of ethylene and vinyl acetate).

MOUNT/HINGE: Stainless steel.

Guarantee

The guarantee includes faults or defects in the material of our products within a period of 10 years. Products subject to minor technical modifications and design deviations E. & O.E.