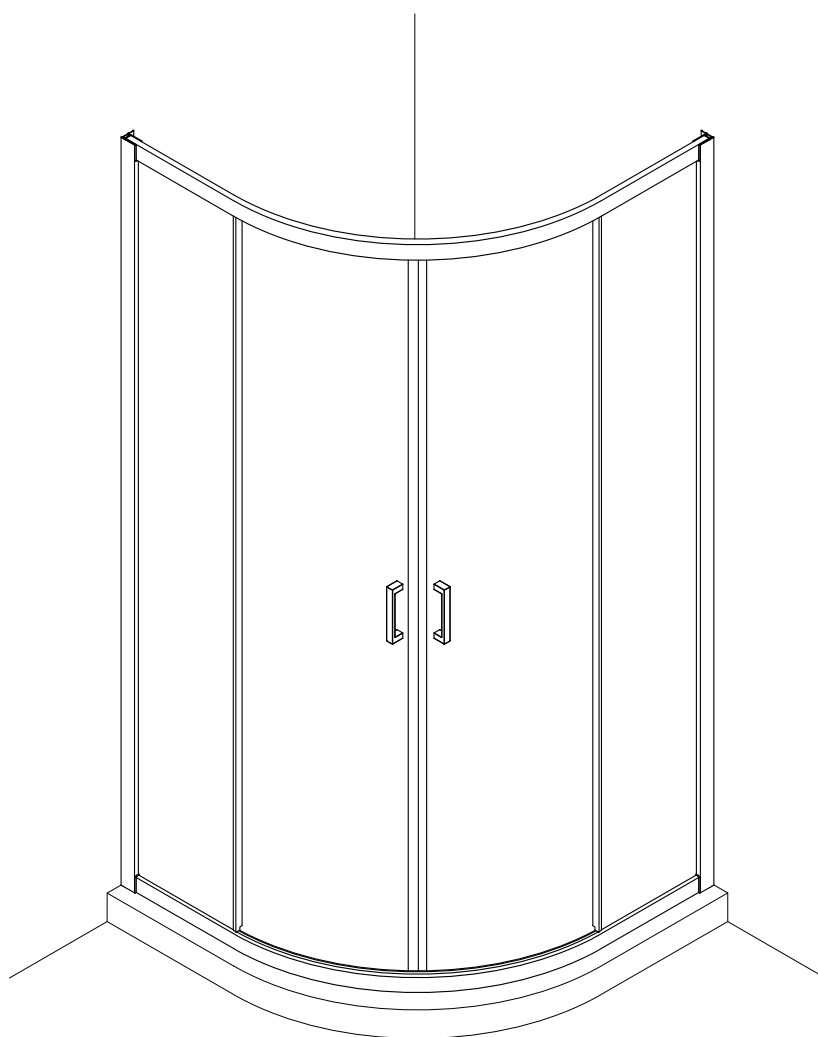
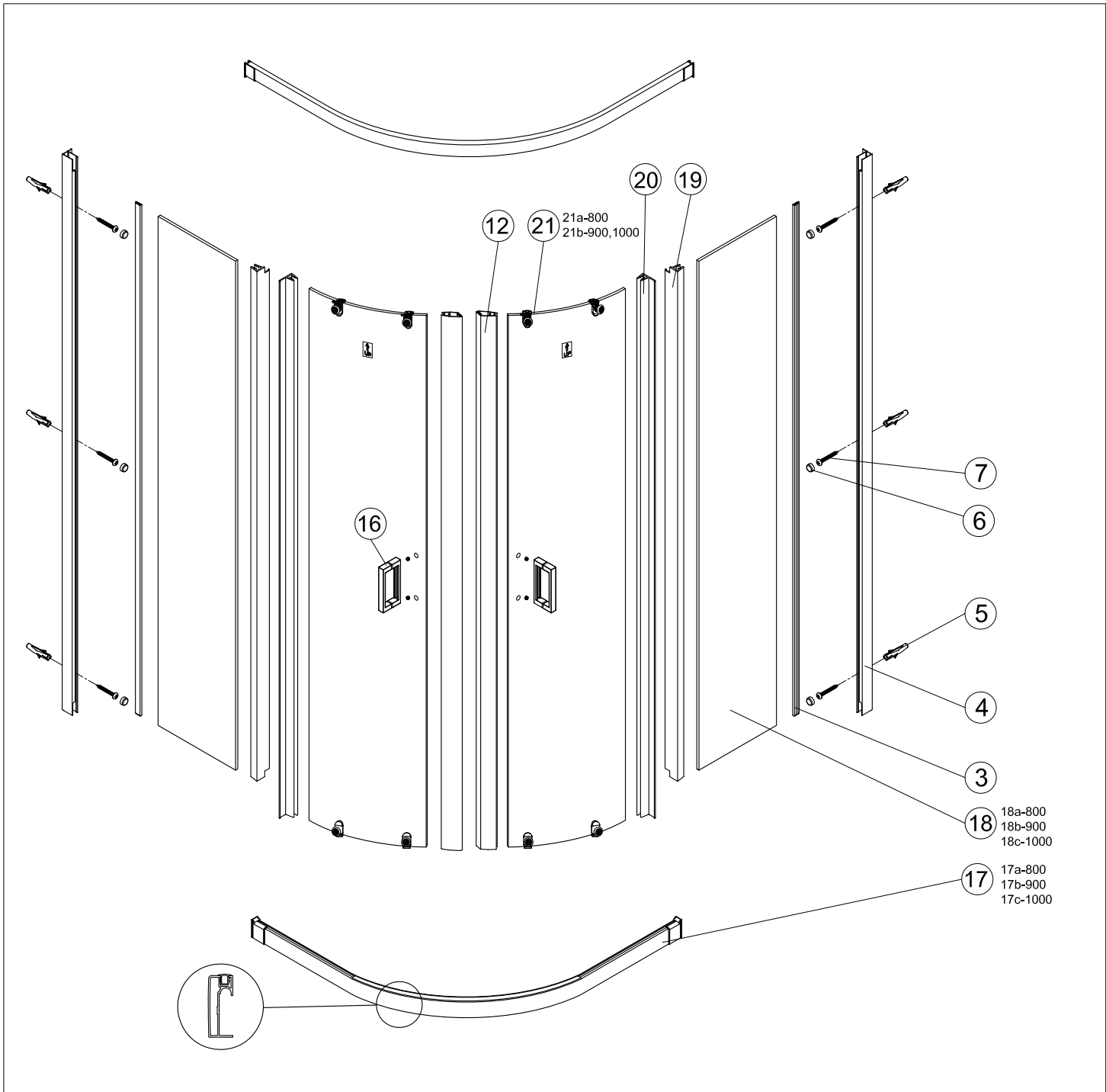


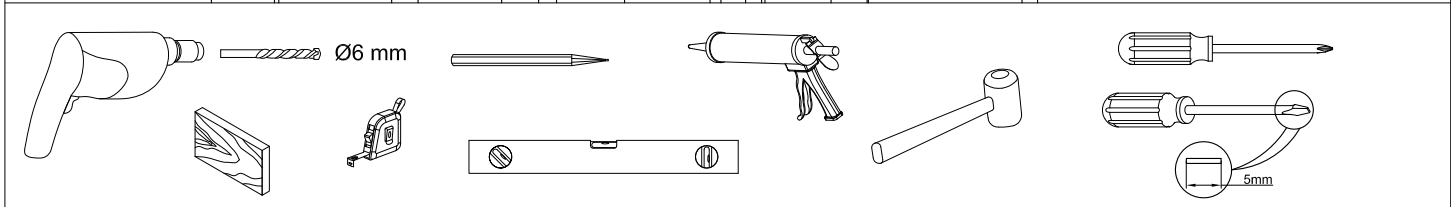
16.D.20042 / 16.D.20043 / 16.D.20044 Instruction Manual

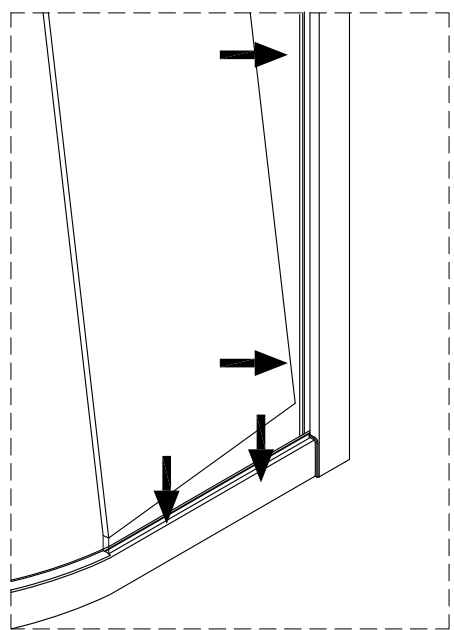
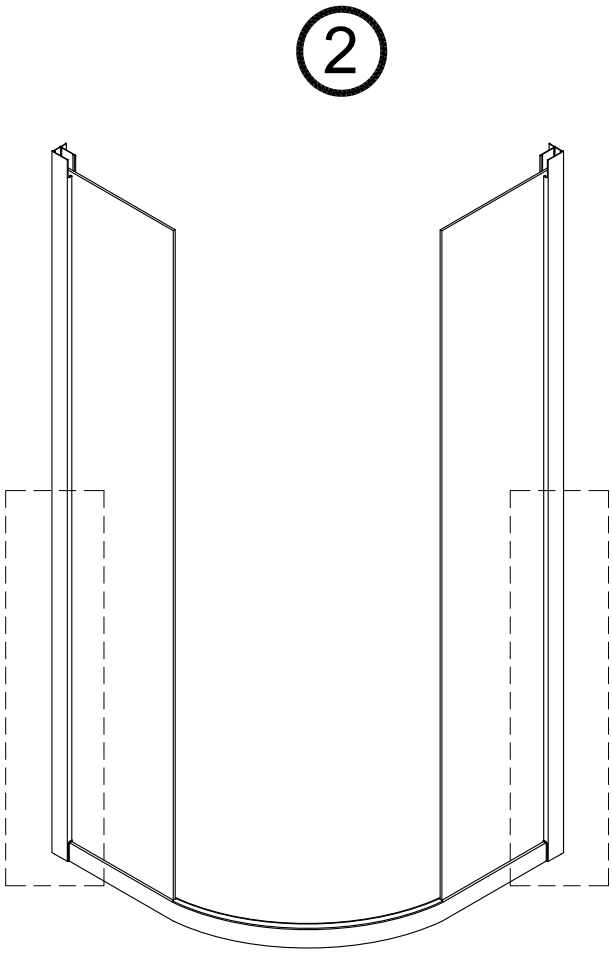
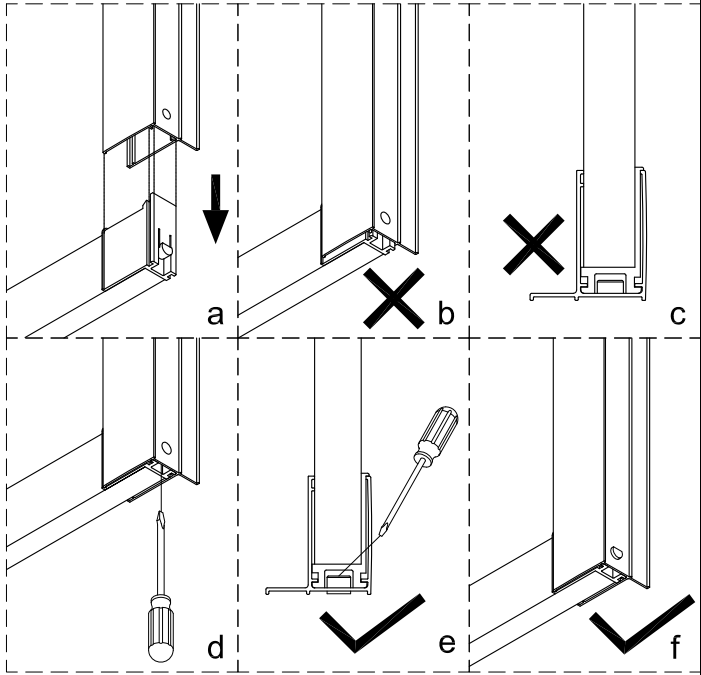
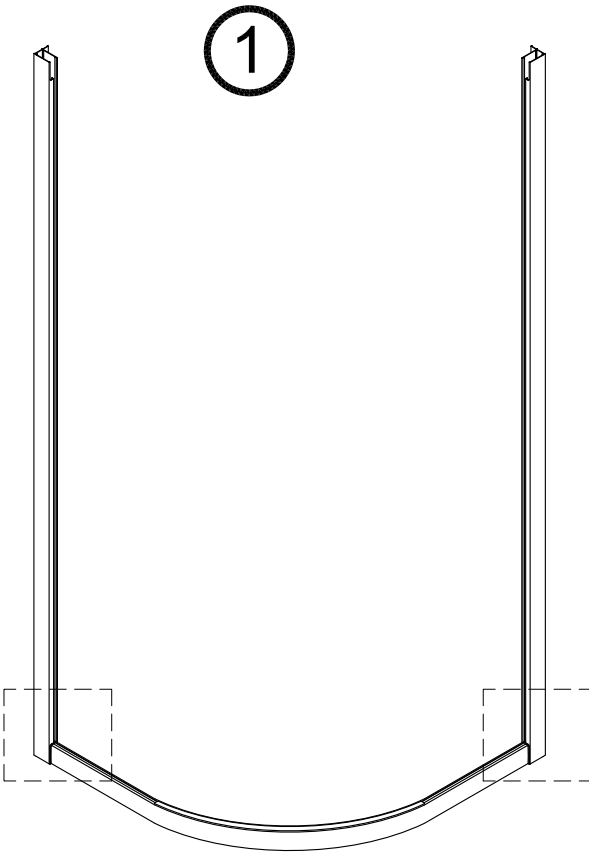




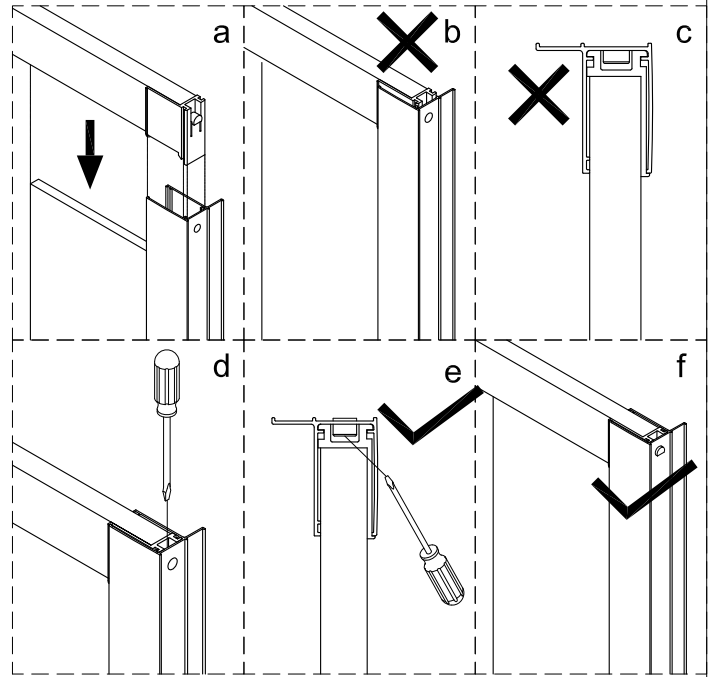
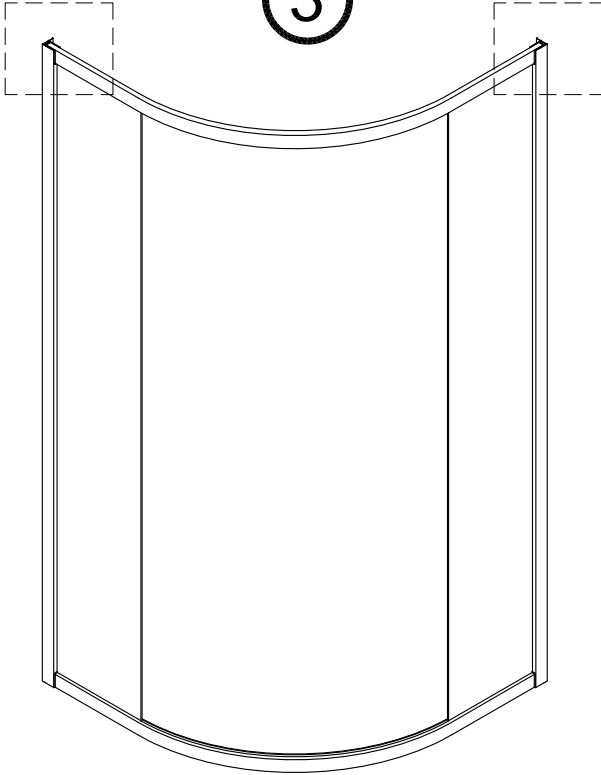
3 x2	4 x2	5 x6	6 x6	7 x6 ST4x40	12 1set	16 x2
---------	---------	---------	---------	-------------------	------------	----------

17 x2	18 x2	19 x2	20 x2	21 x2	
----------	----------	----------	----------	----------	--

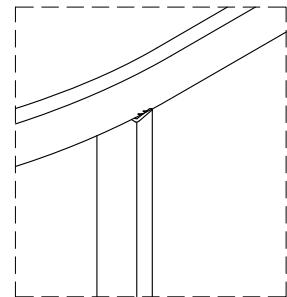
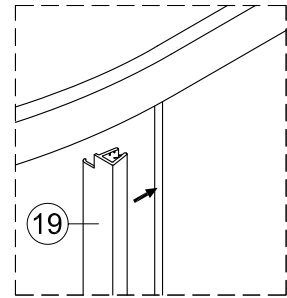
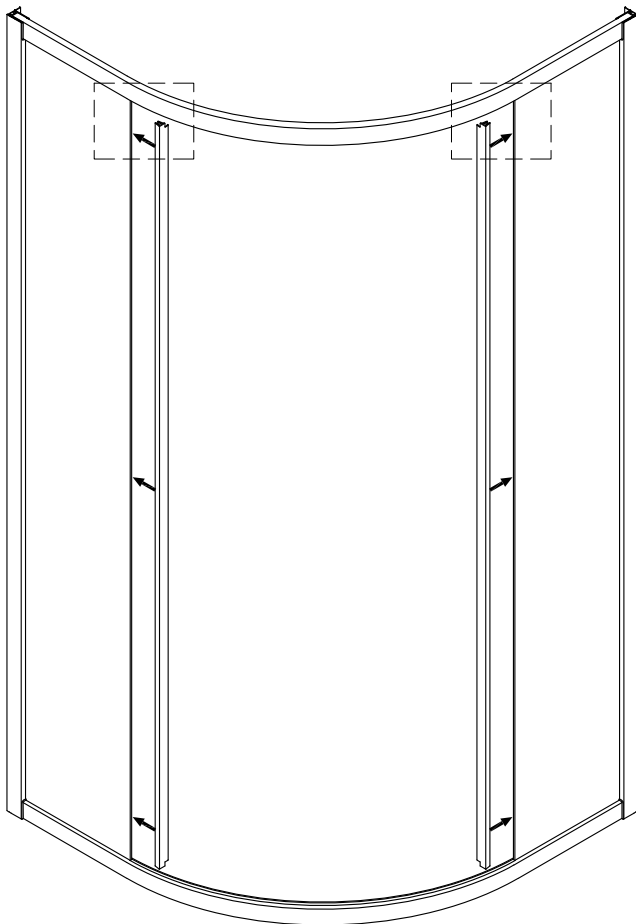




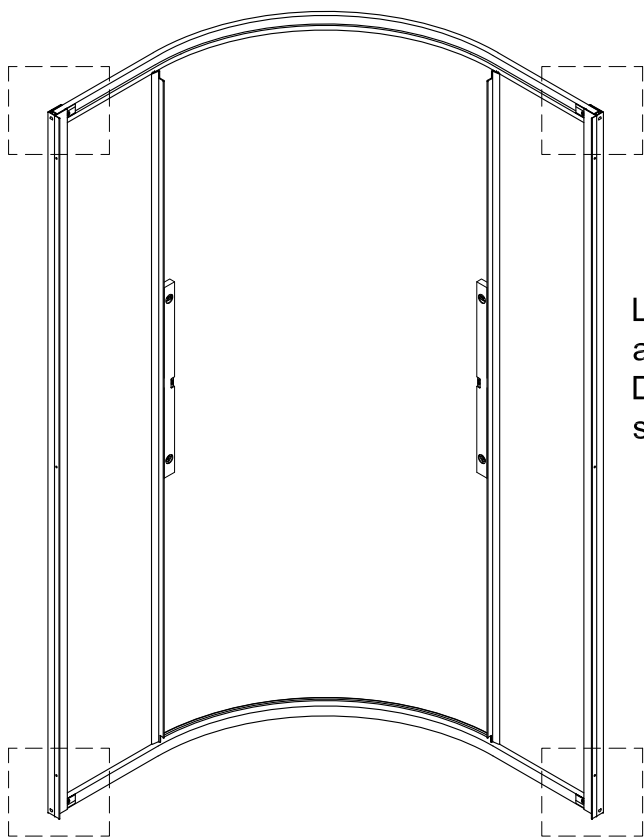
3



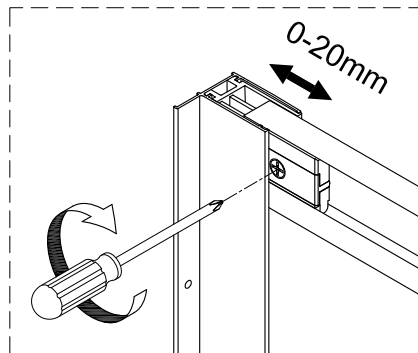
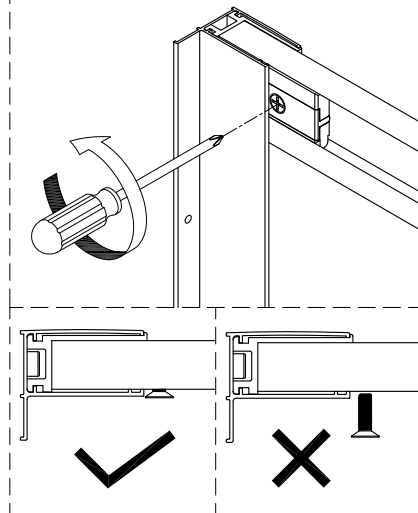
4



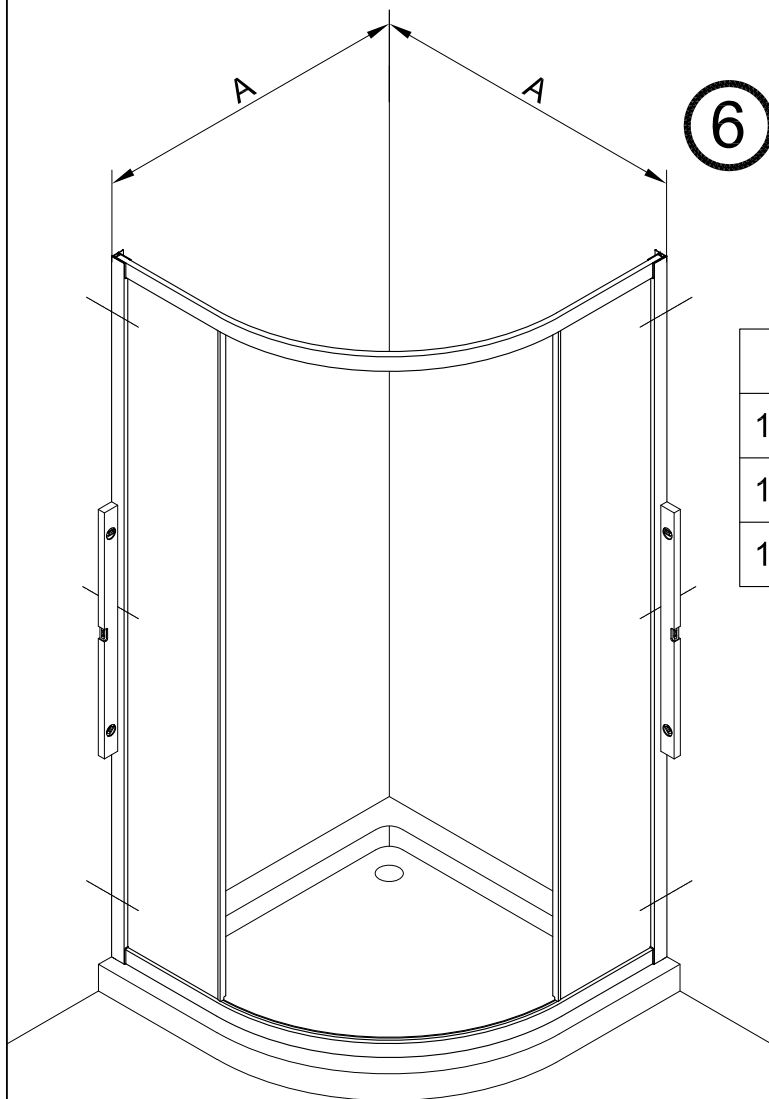
5



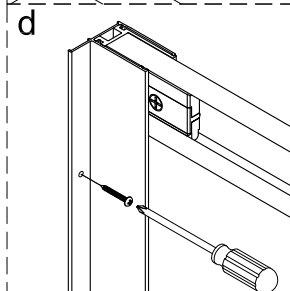
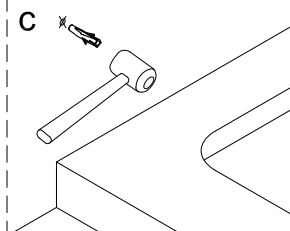
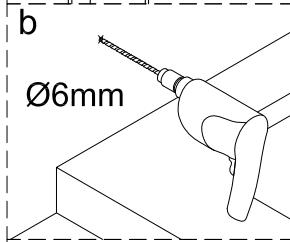
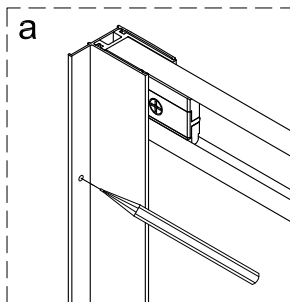
Loosen the screw if adjustment is required. Do not loosen the screw completely.

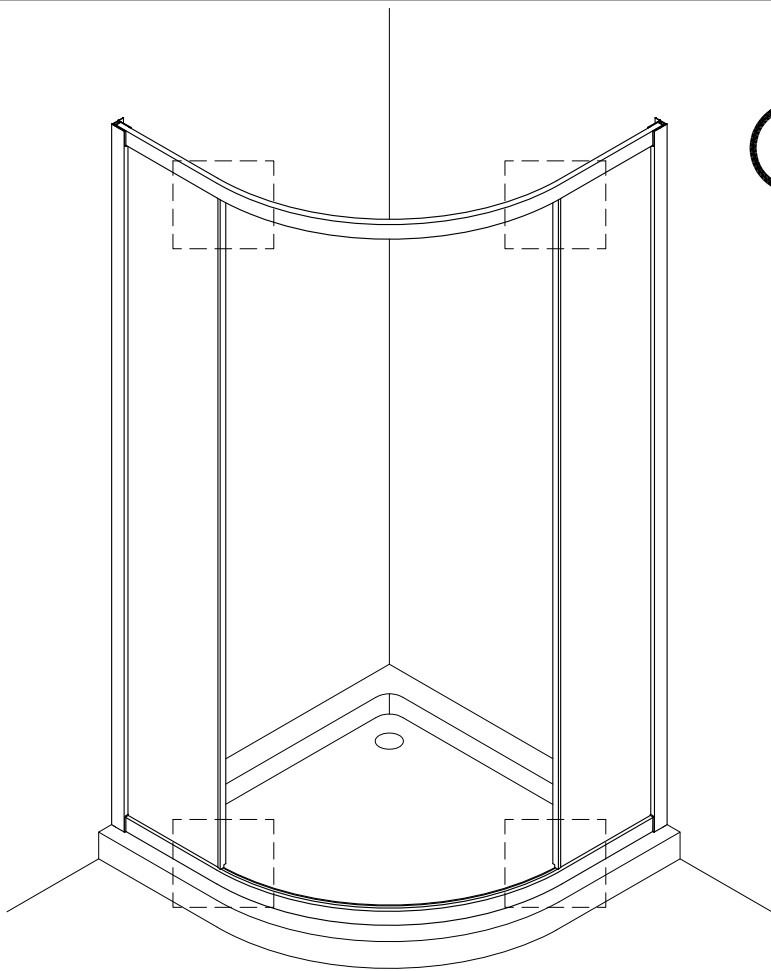


6

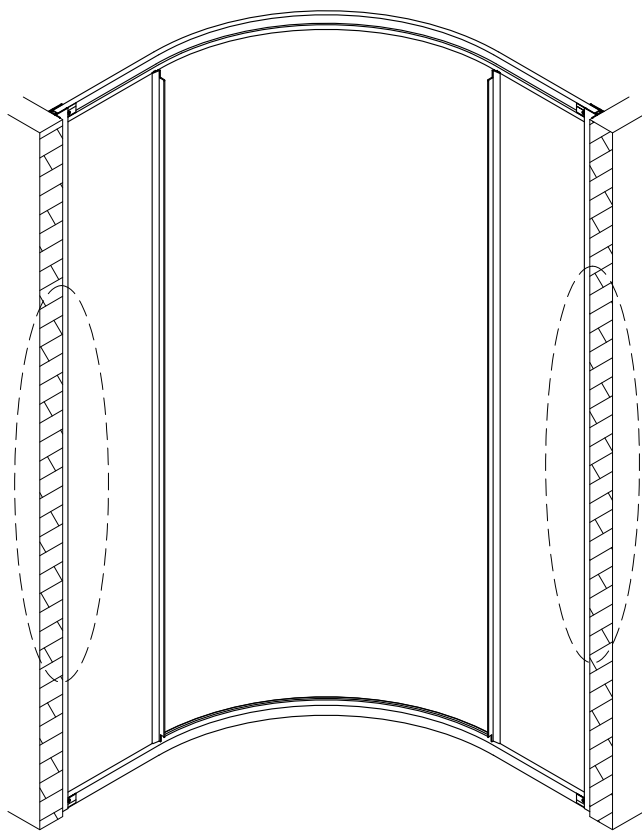
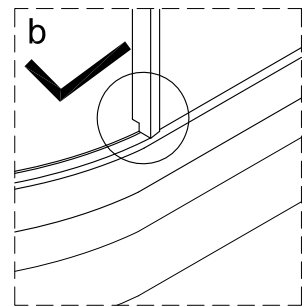
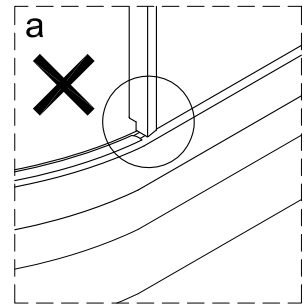


Model	A (mm)
16.D.20042	770-790
16.D.20043	870-890
16.D.20044	970-990

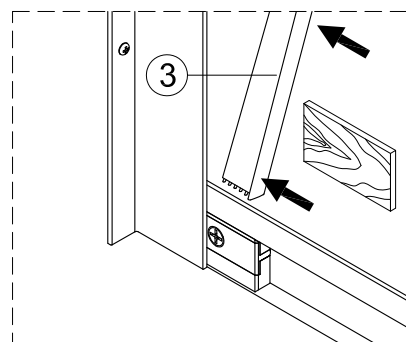
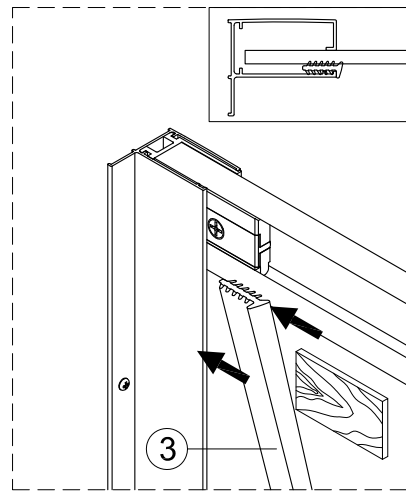




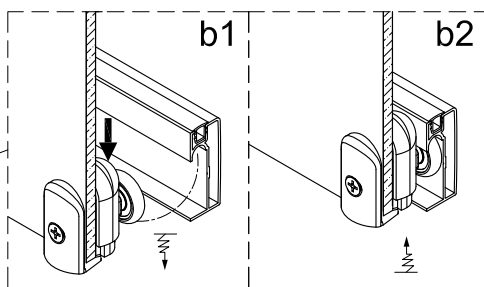
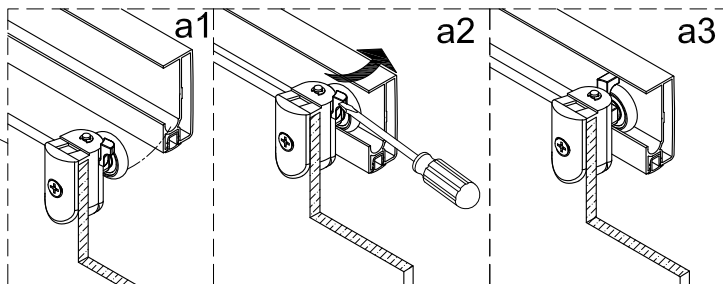
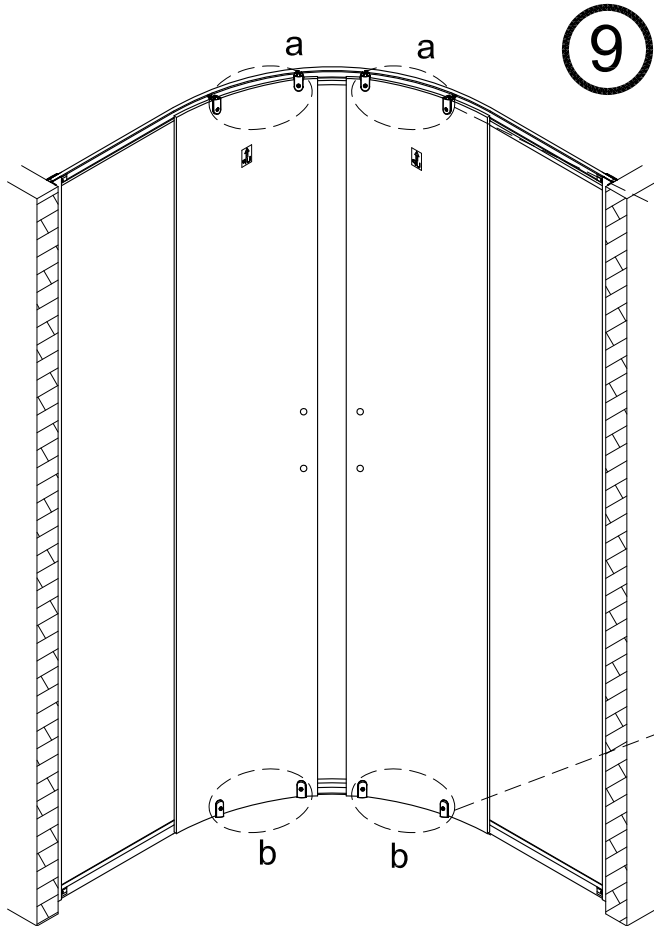
7



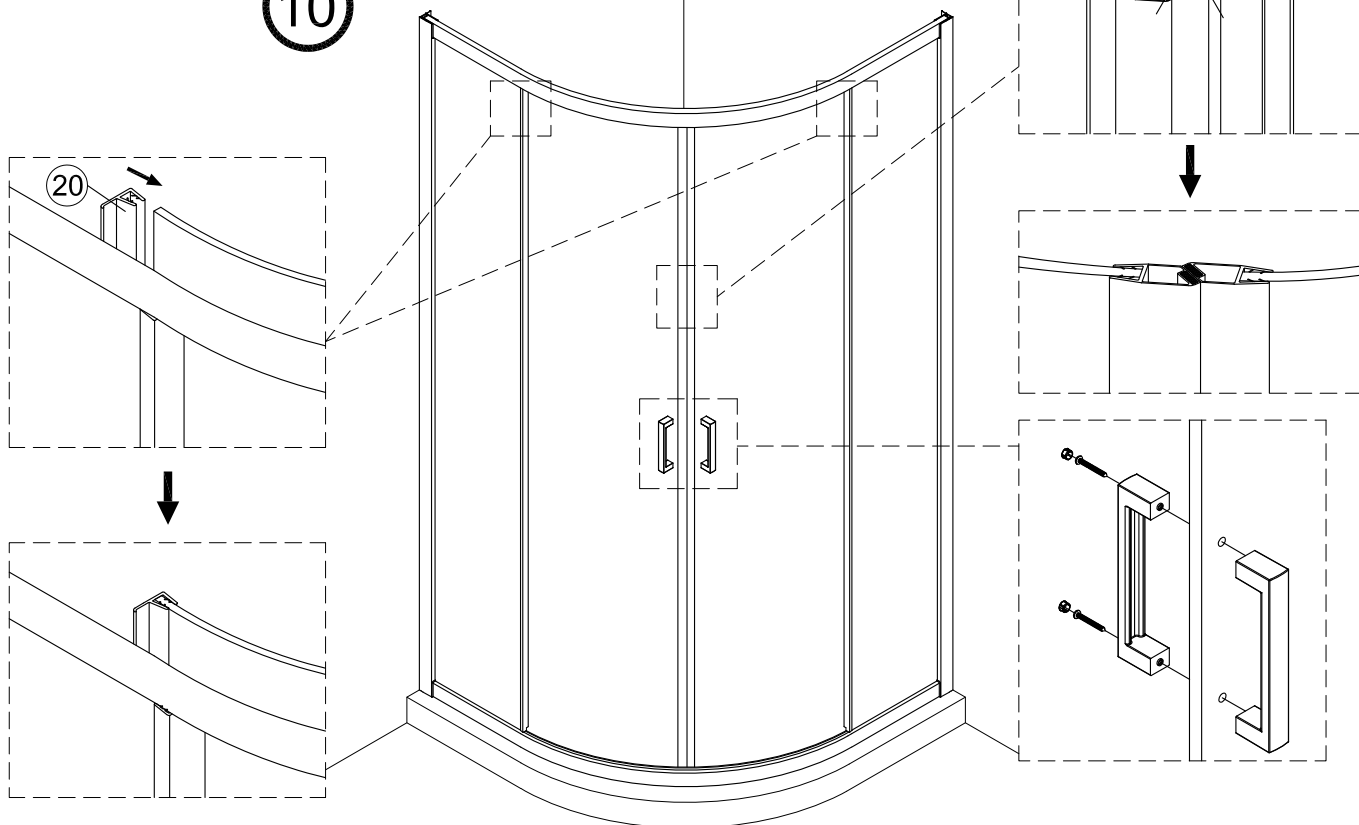
8

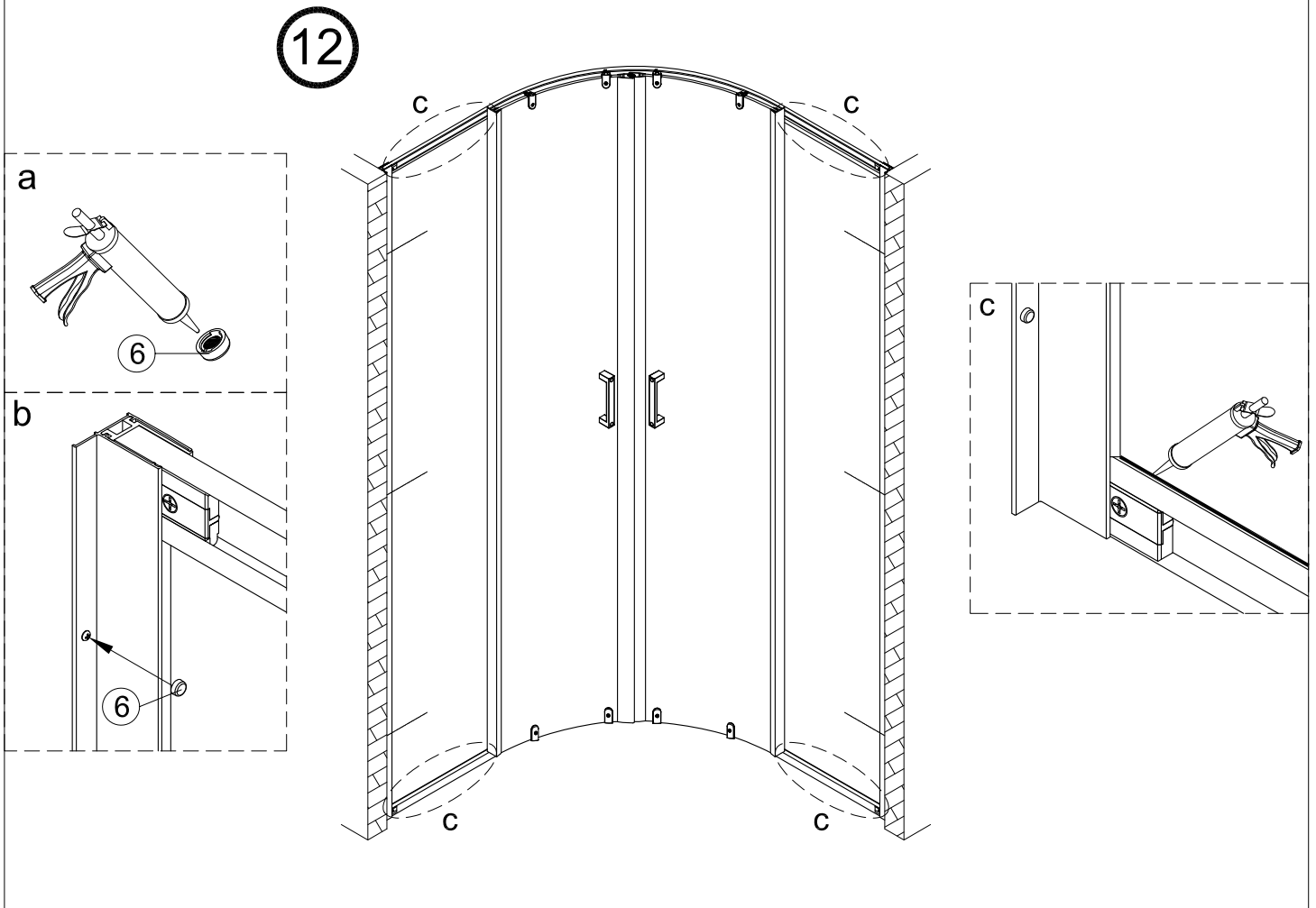
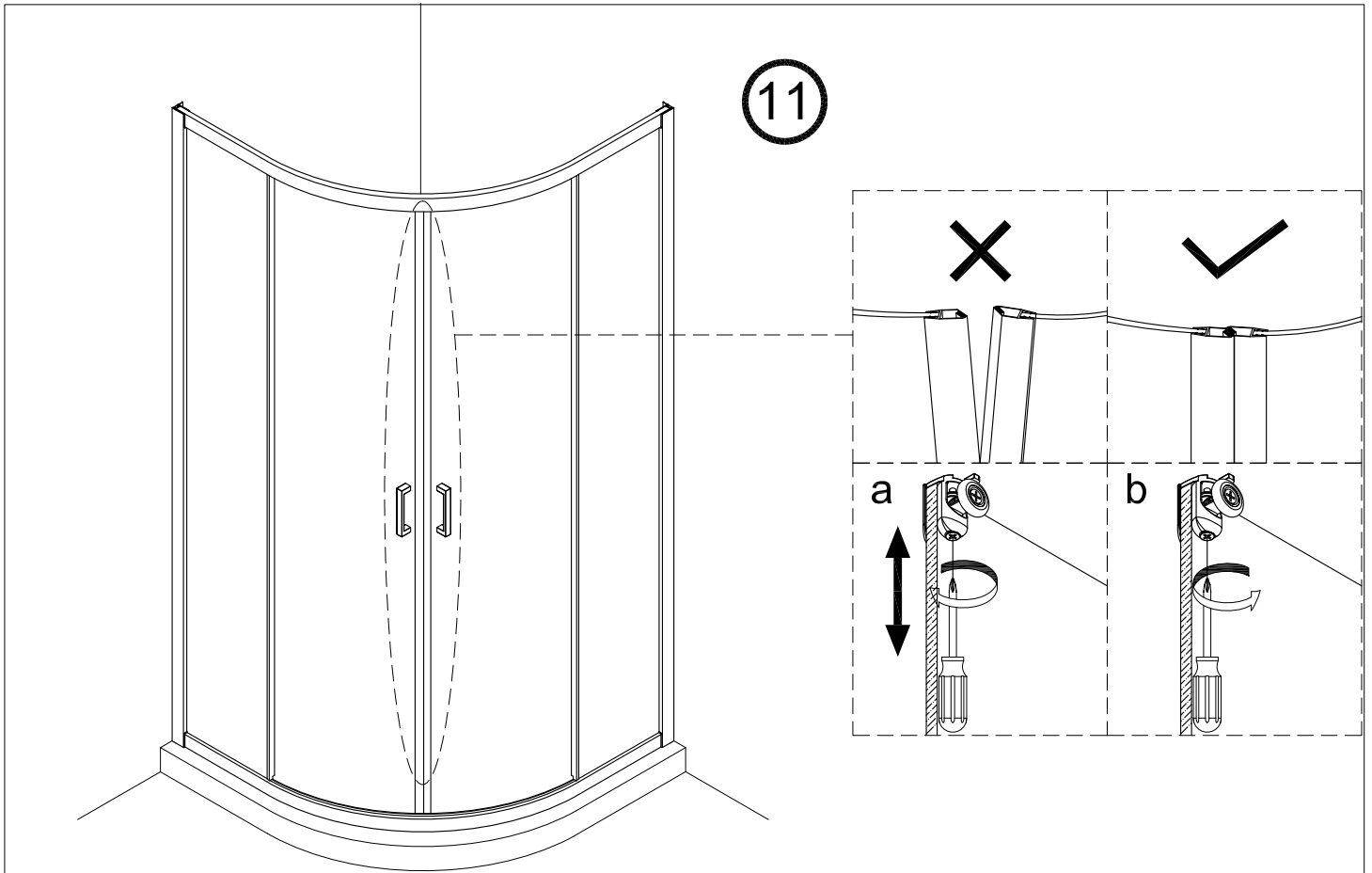


9



10





13

