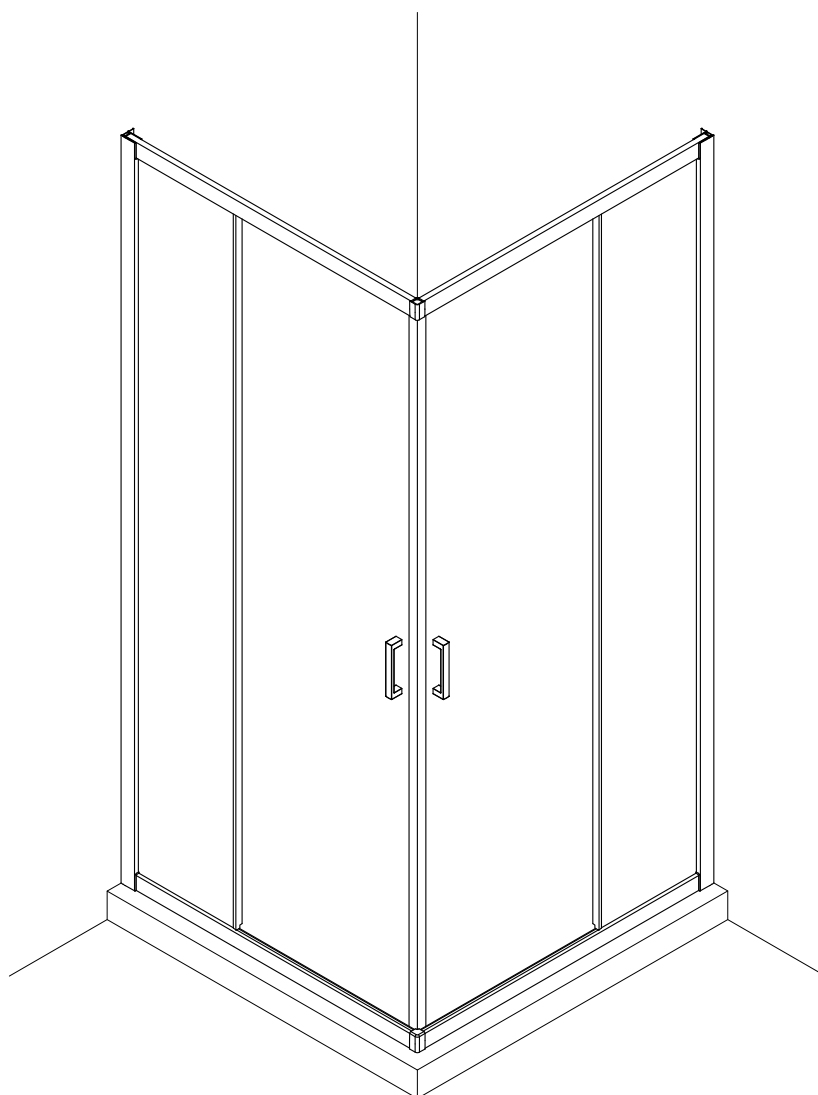
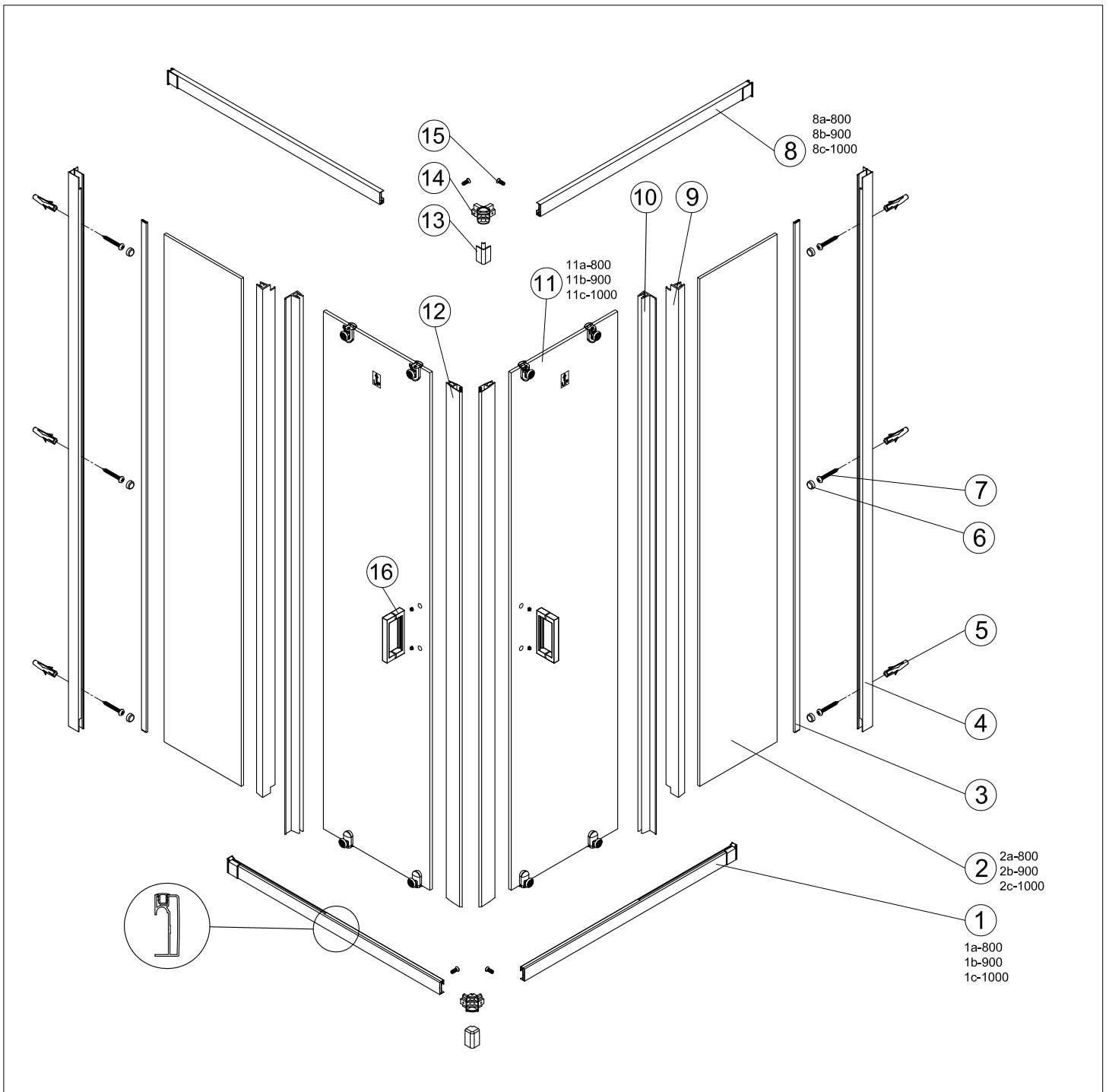
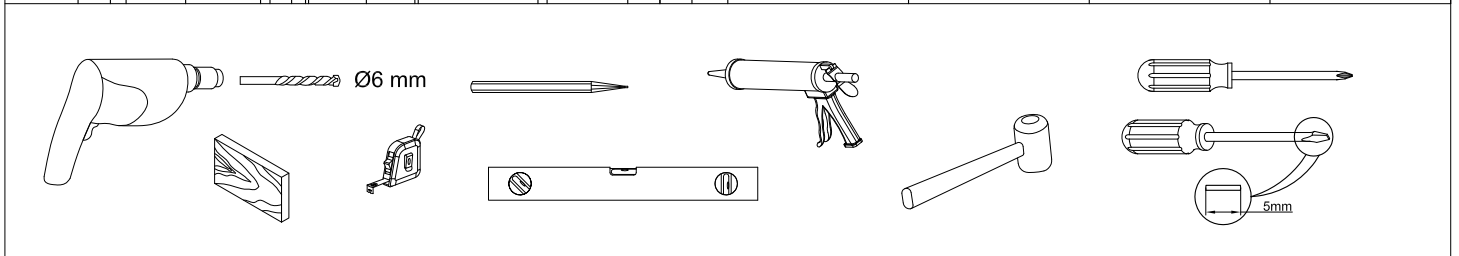


16.D.20039 / 16.D.20040 / 16.D.20041 Instruction Manual

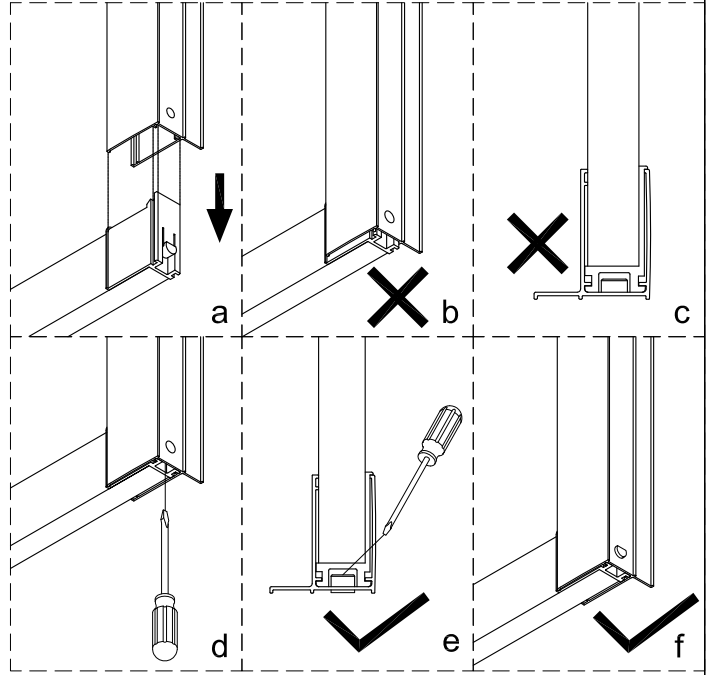
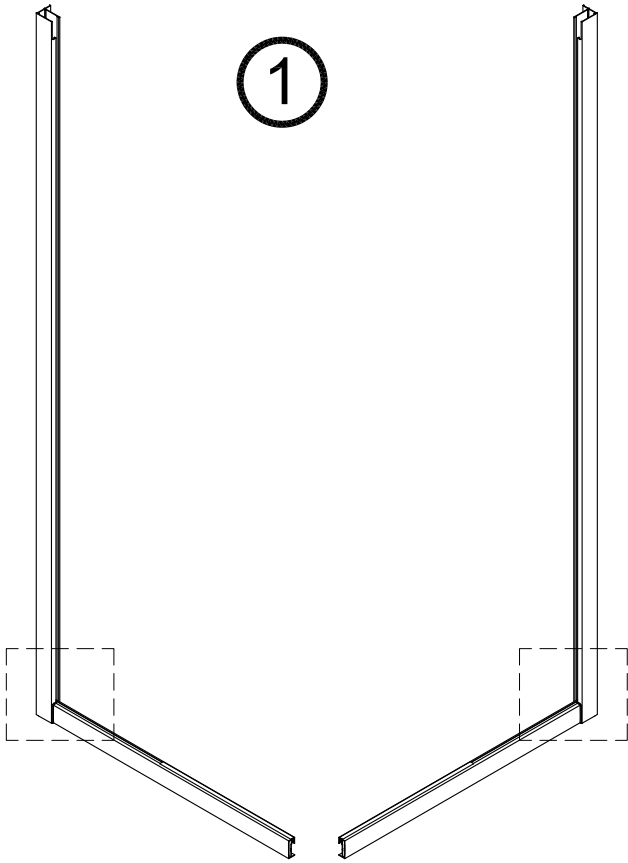




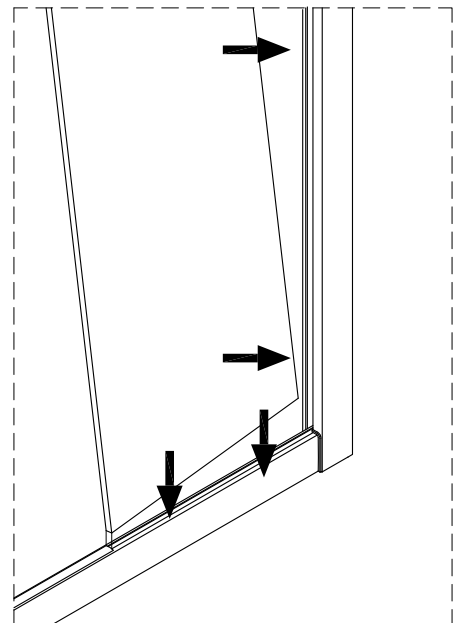
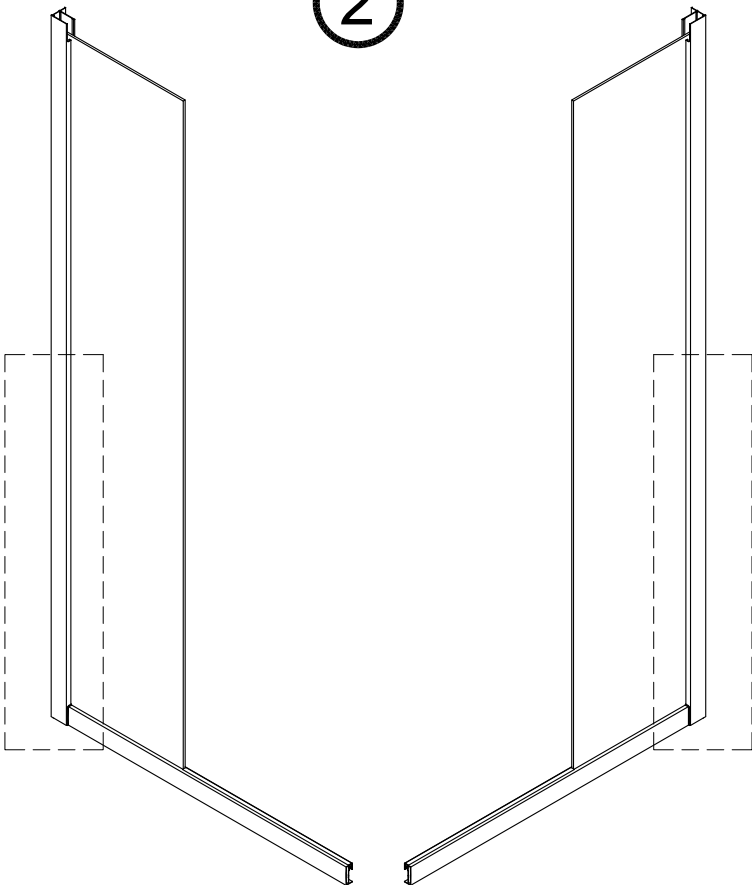
1 x2	2 x2	3 x2	4 x2	5 x6	6 x6	7 x6 ST4x40	8 x2
9 x2	10 x2	11 x2	12 1set	13 x2	14 x2	15 x4 ST4x12	16 x2

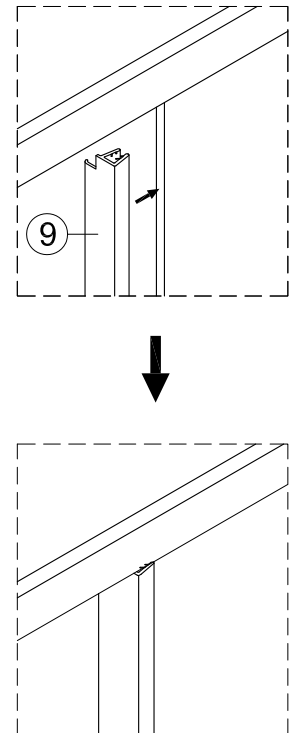
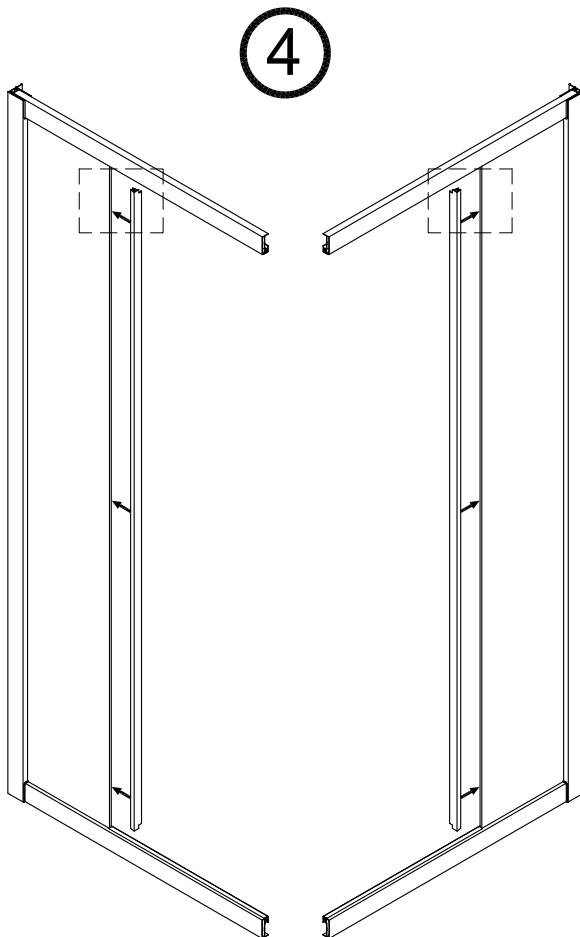
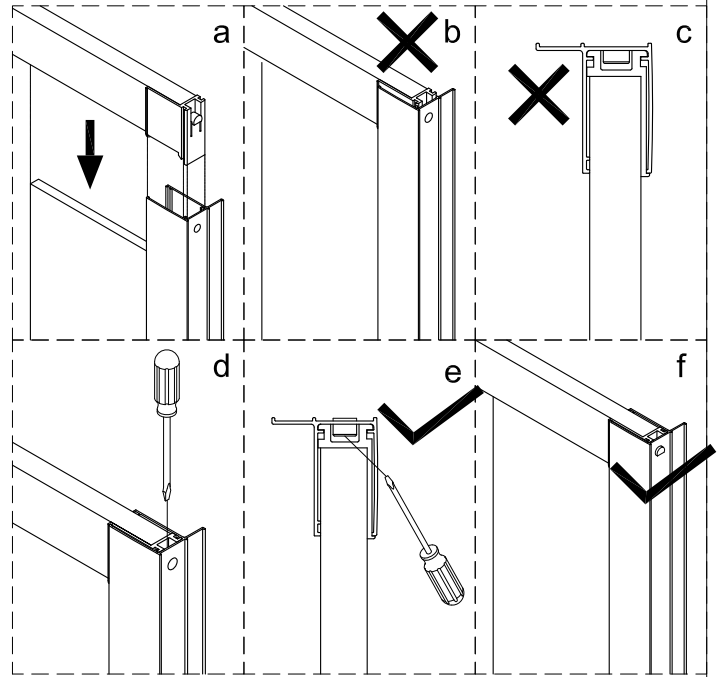
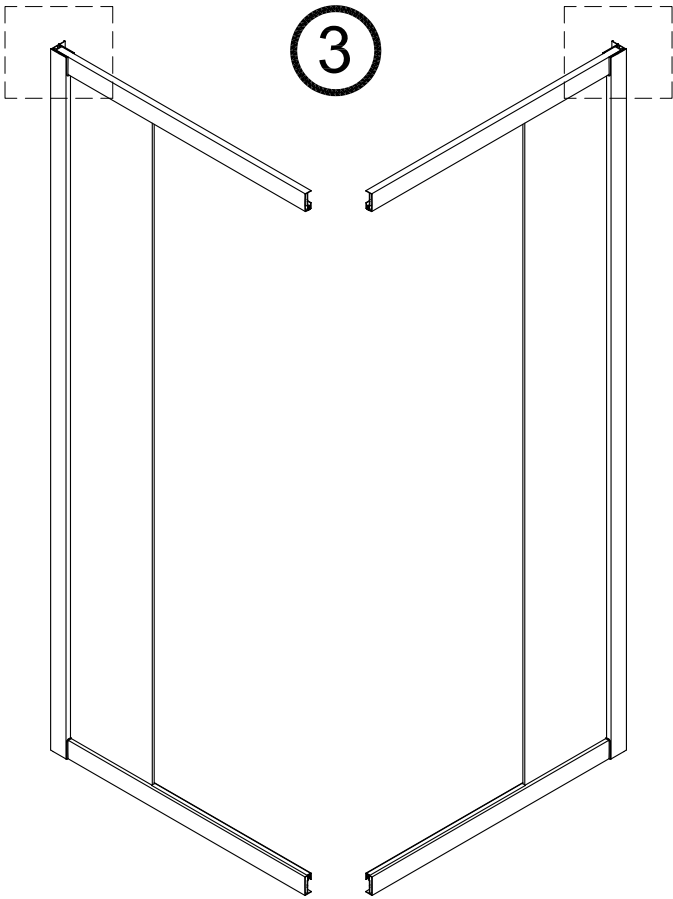


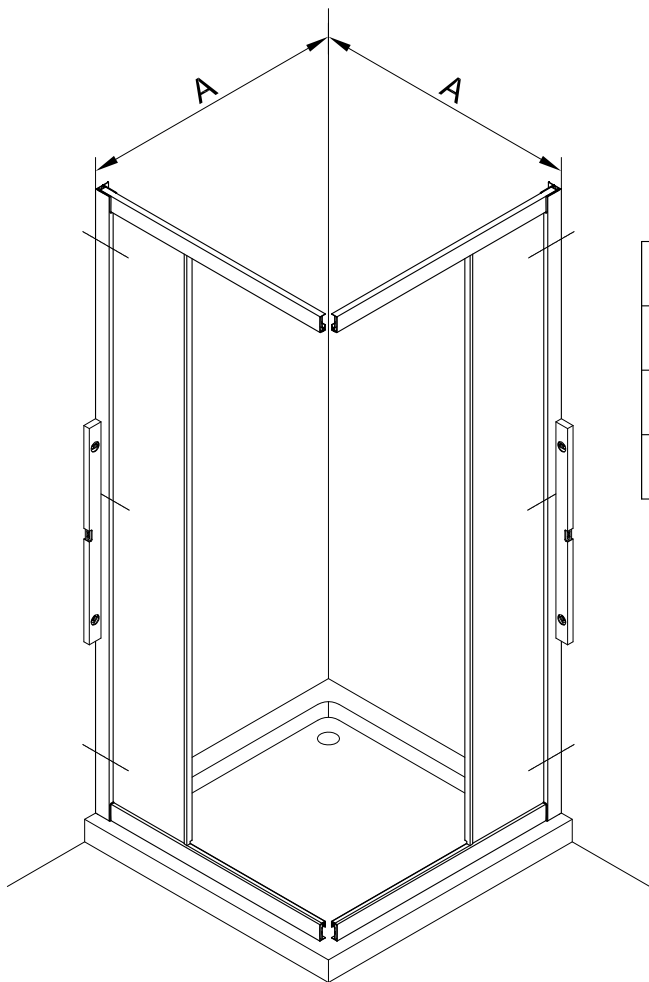
1



2

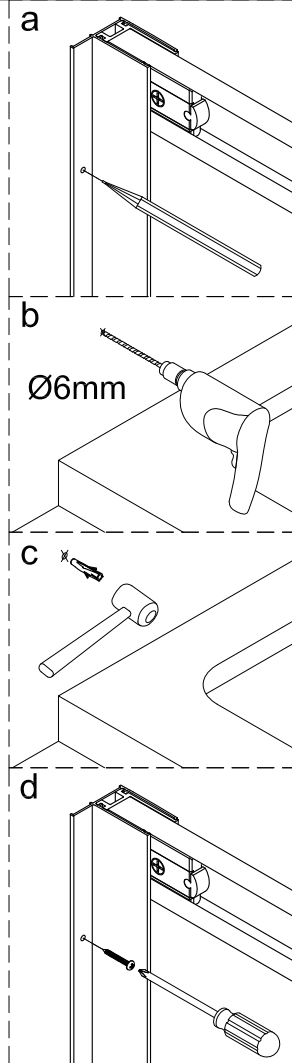




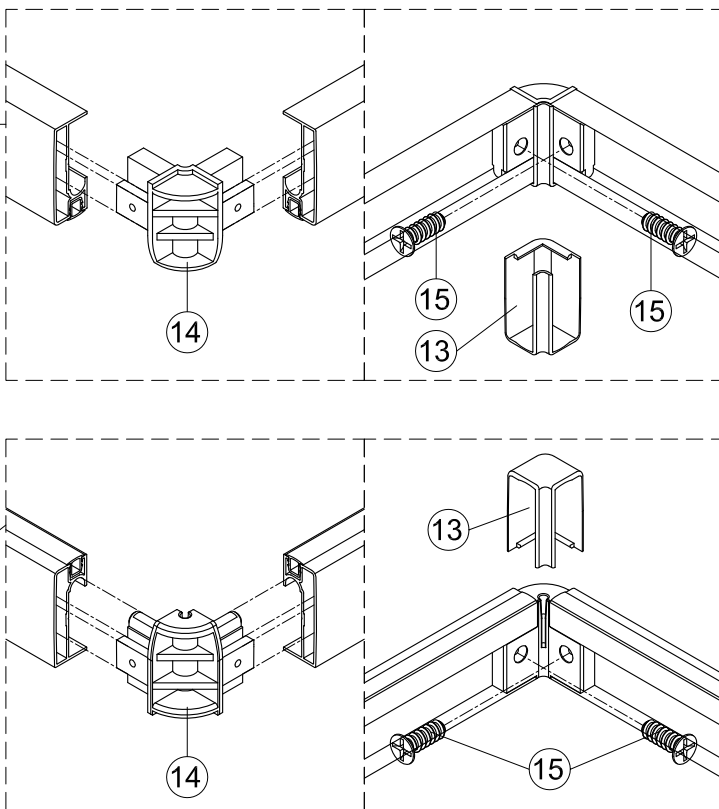
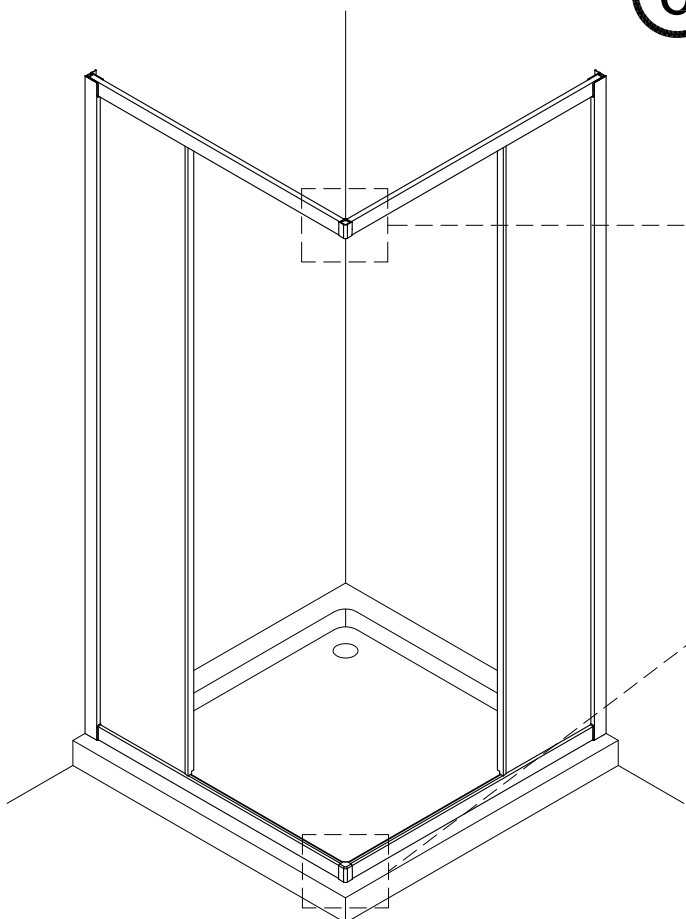


5

Model	A (mm)
16.D.20039	770-790
16.D.20040	870-890
16.D.20041	970-990



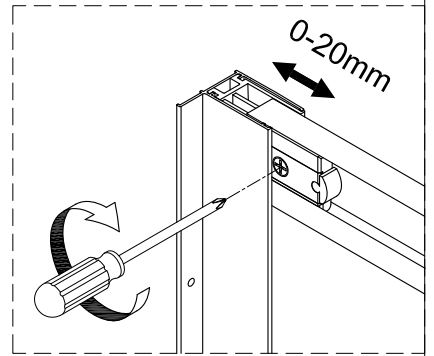
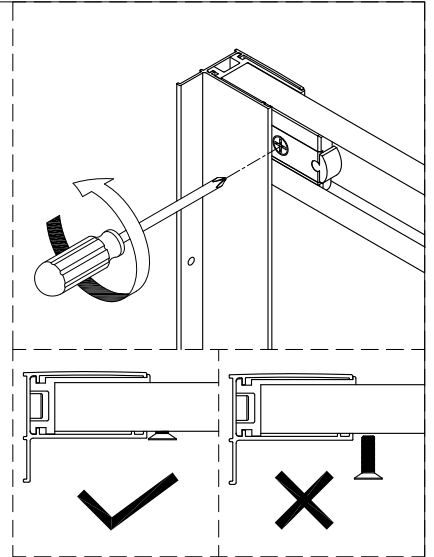
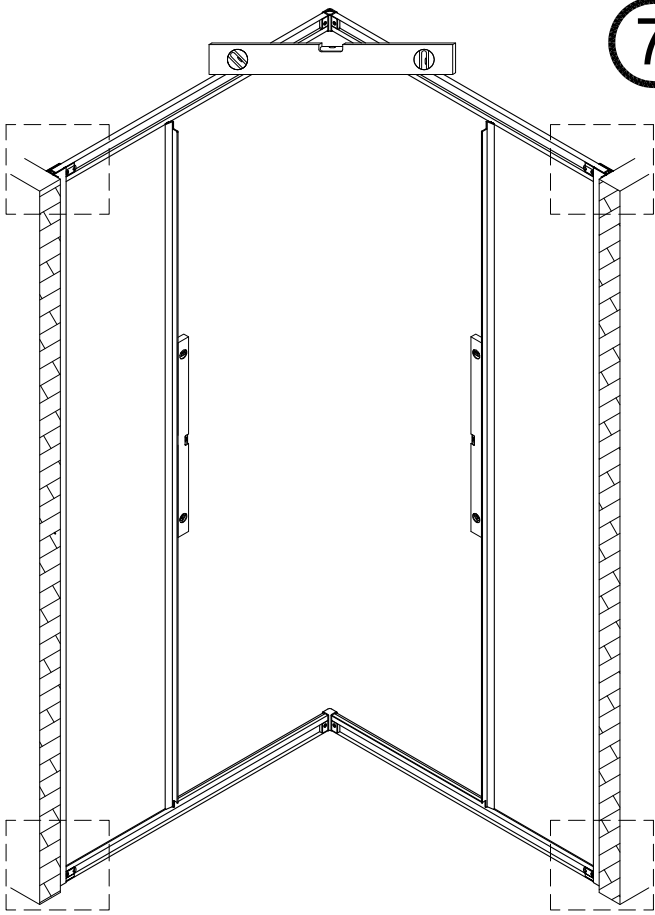
6



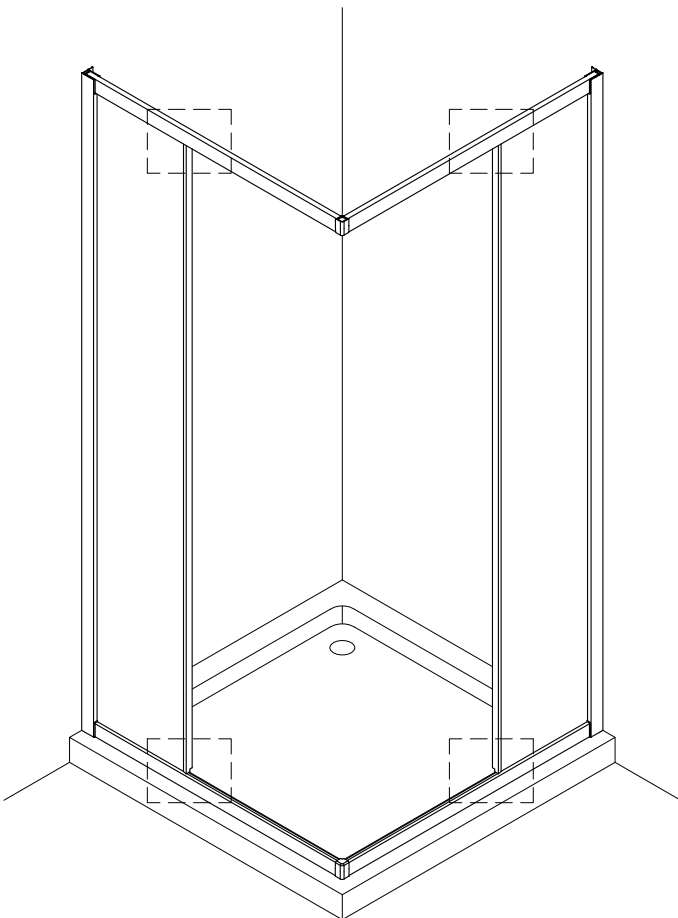
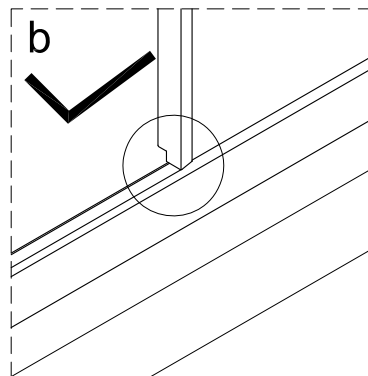
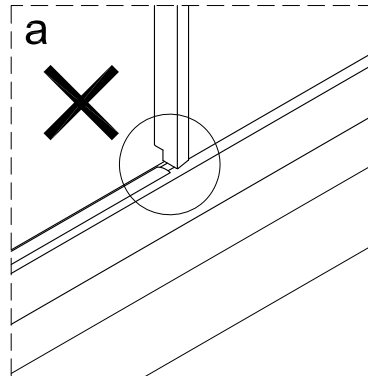
7



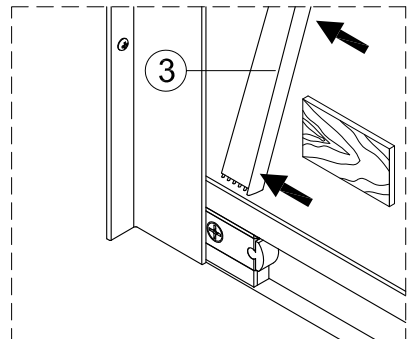
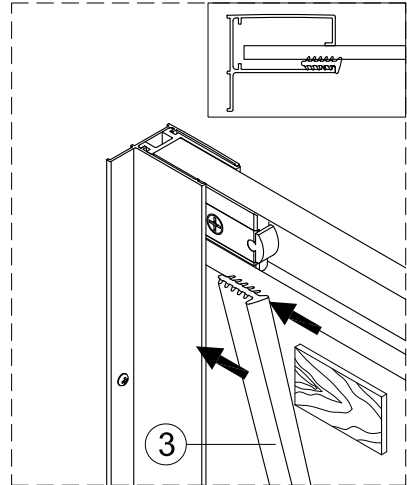
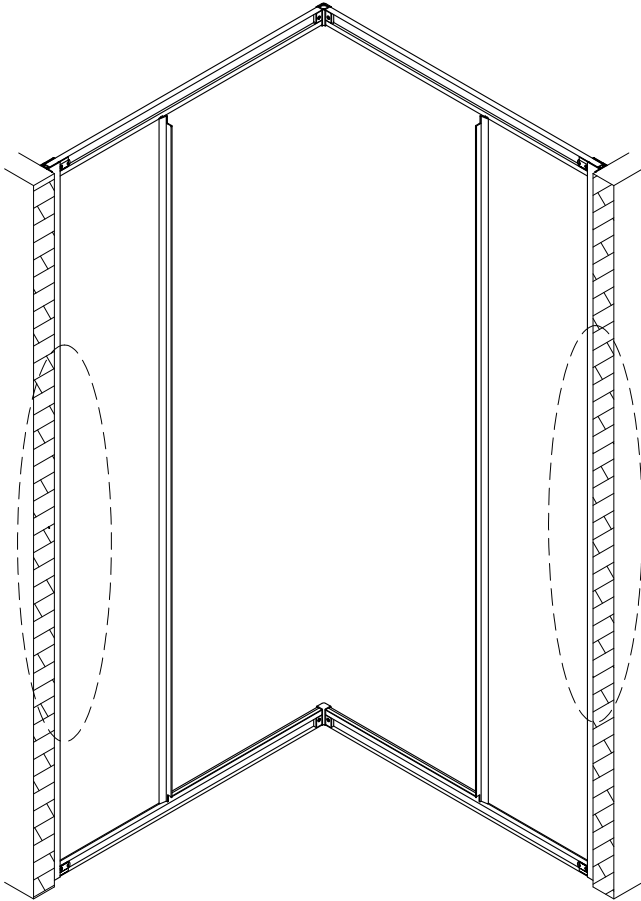
Loosen the screw if adjustment is required. Do not loosen the screw completely.



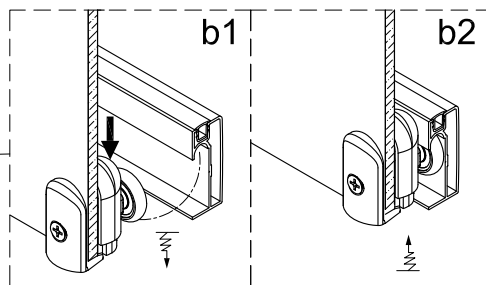
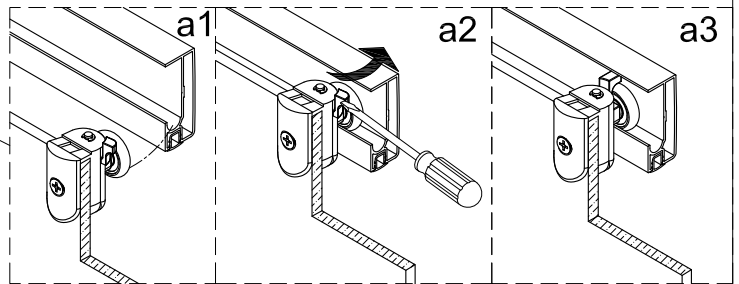
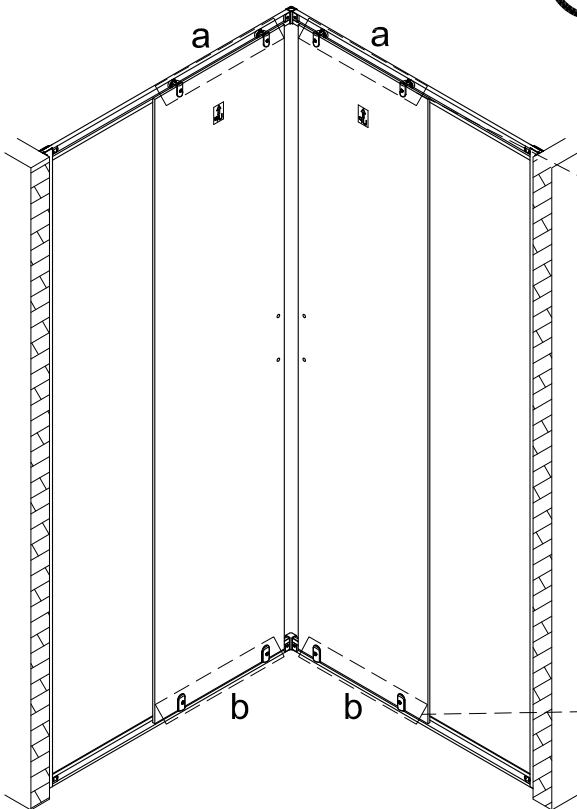
8

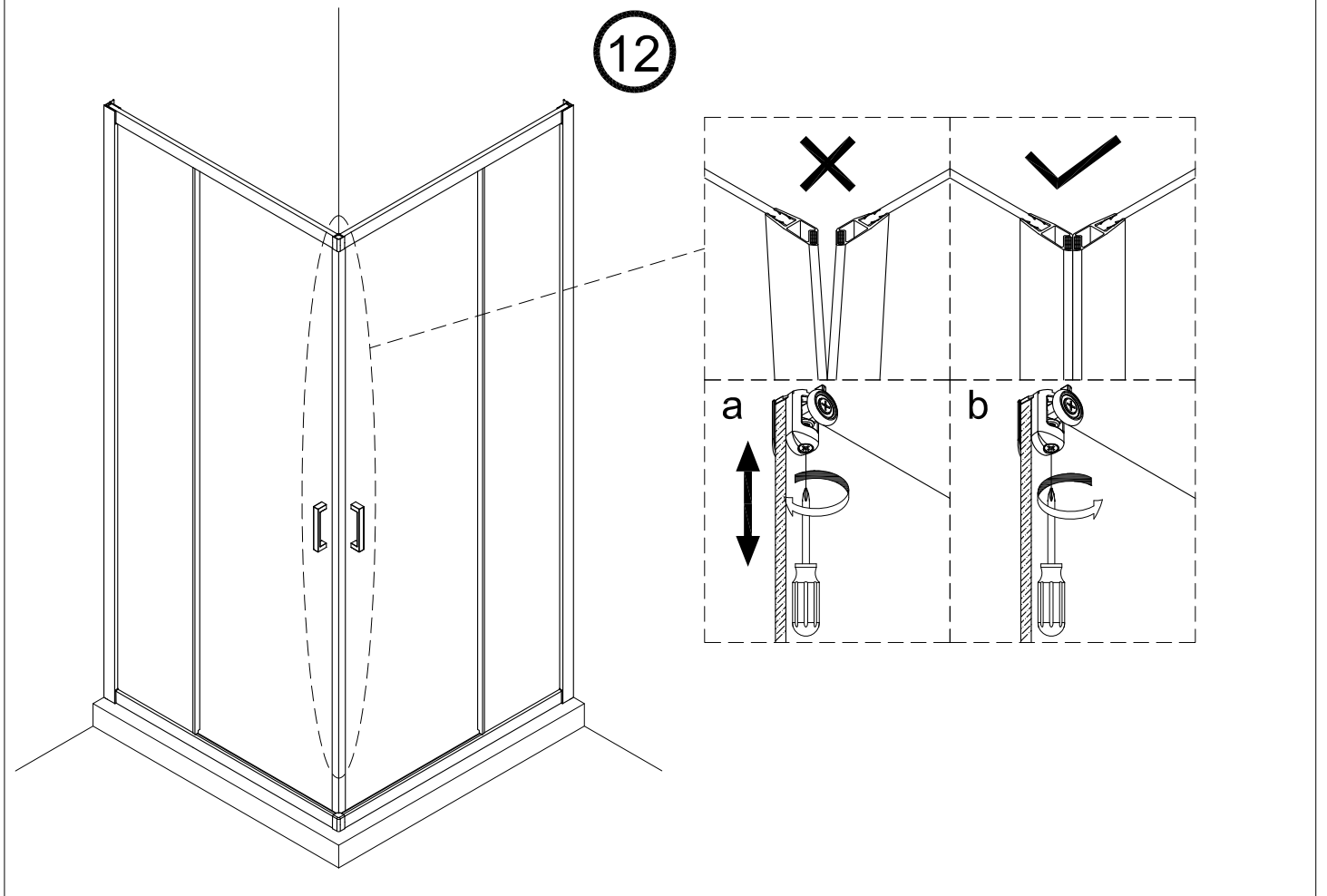
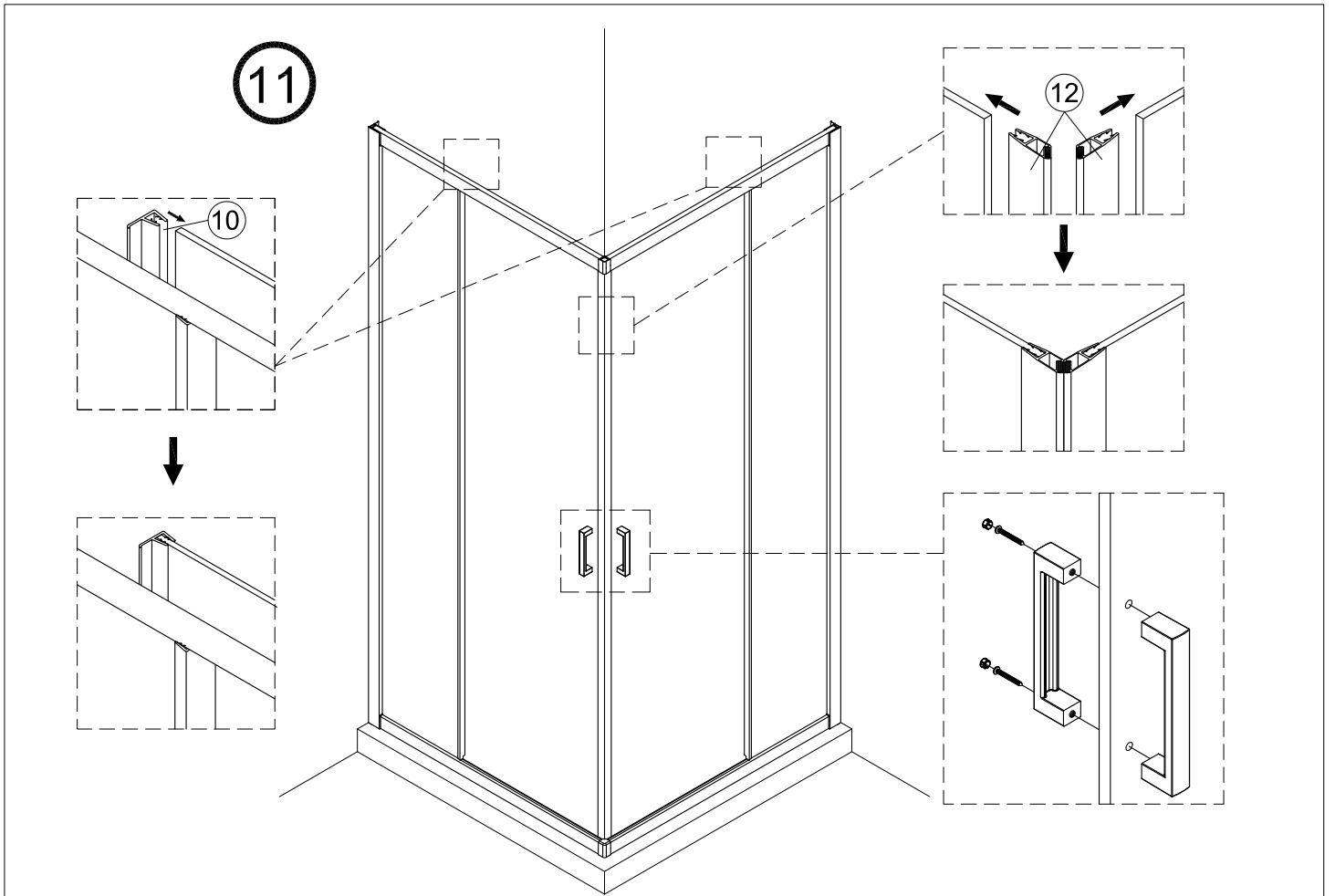


9

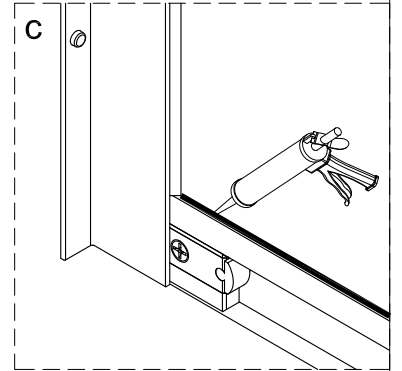
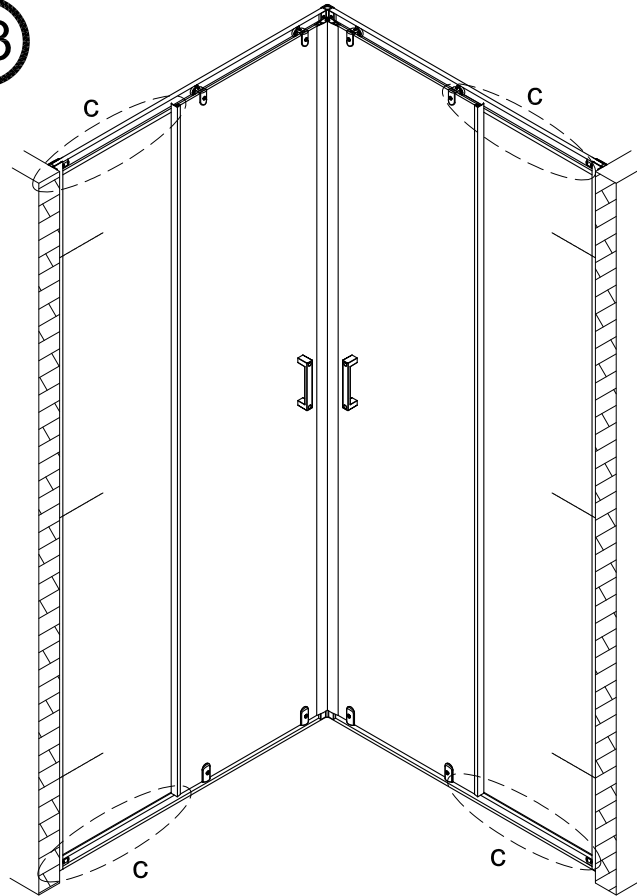
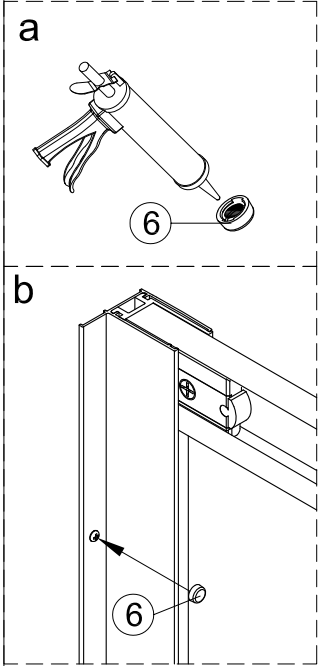


10





13



14

