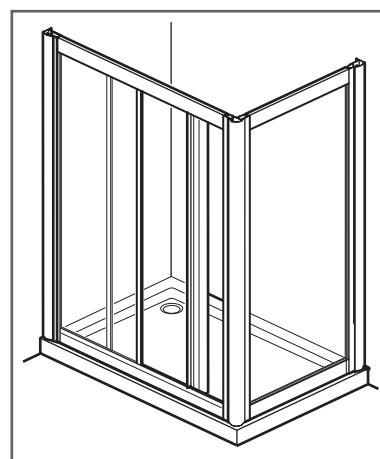
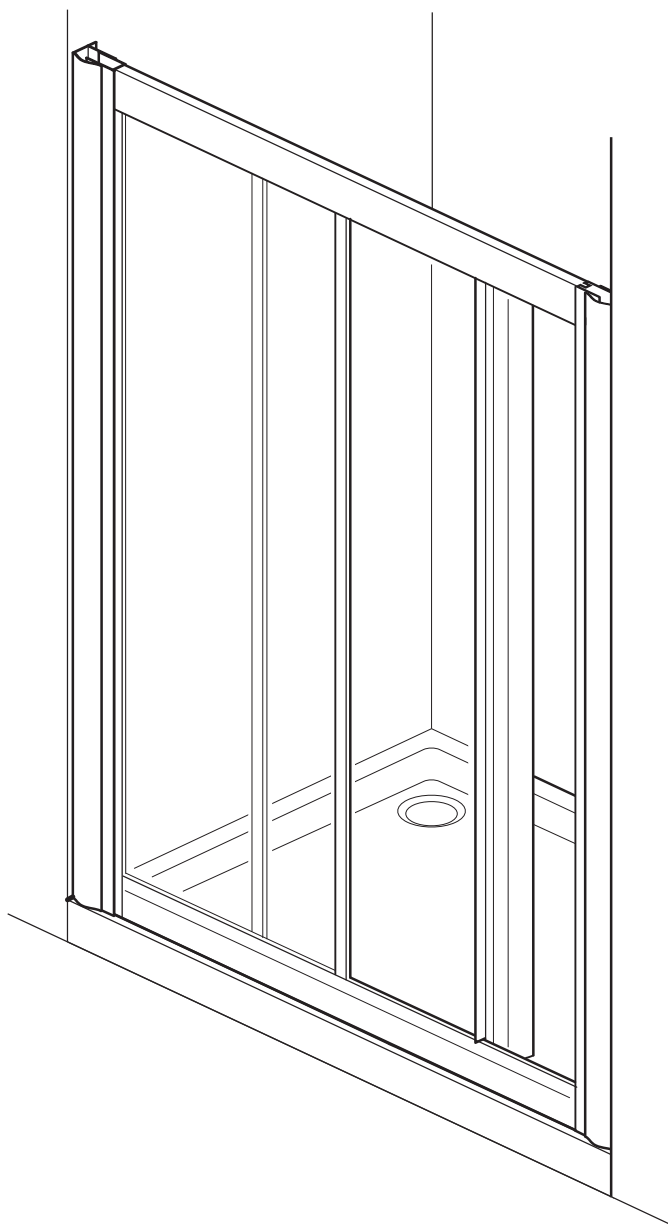


SINGLE SLIDER ENCLOSURE

SUPREME



SINGLE SLIDER & SIDE PANEL

INSTALLATION INSTRUCTIONS

simpsons 

IMPORTANT - Please read before installation

Please read these instructions carefully before starting installation and keep in a safe place for future reference.

Check the contents of the pack carefully before installation. Simpsons will not be held responsible for any de-ft / re-ft costs where faulty product has been fitted.

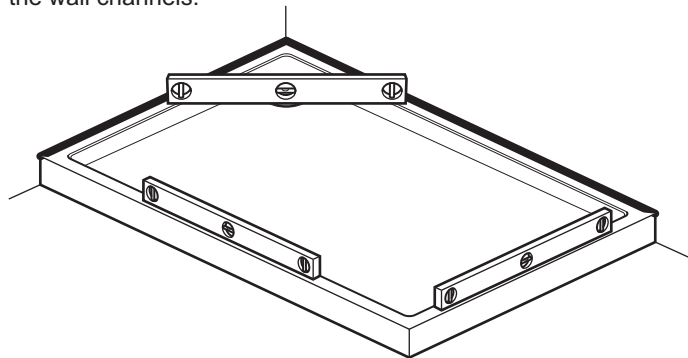
If any fault is found with materials or workmanship, it must be reported immediately to the manufacturer. Remedial action will be taken, based on information received, on condition that: 1. Full details are supplied to the manufacturer; 2. The enclosure has not been modified or tampered with; 3. The manufacturer is informed of any damage/shortages prior to installation.

We do not accept responsibility for any problems that may occur through incorrect installation.

The success of the installation and operation of any shower enclosure is, of course, dependant on the squareness, alignment and construction of the walls to which fixing is to be carried out.

VERY IMPORTANT

You must complete all tiling and grouting, and the shower tray **MUST** be level and fully sealed to the tiles before installation. If you do not fit the enclosure onto a tiled surface, or seal the tiles to the tray before installation, water may soak into the wall behind the wall channels.



INSTALLATION - Advice and safety

All Supreme shower doors and panels are fully assembled and are reversible for left or right hand fitting, simply turn the door or panel up side down.

The Supreme doors come with the two wall channels pushed onto each side of the door frame. The side panels and inline panels do **NOT** come with wall channels, you must use one of the channels from the door.

The installation instructions are based on typical use and conditions.

Please follow the installation instructions relevant to your enclosure.

These hints have been prepared for your guidance, you must exercise due care at all times.

It is recommended that 2 people carry out the installation of this enclosure.

Handle glass with care. Although the glass supplied is toughened safety glass (to BS6206A0), impacts can damage both the glass and the frame.

Warning! Please check for any hidden pipes or cables before drilling holes in the wall.

To stop the drill bit slipping, masking tape can be applied to the tiles when preparing the holes.

When using power tools always follow the manufacturers user instructions.

Do not sit the enclosure on a bed of silicone, as this will also stop any water from draining back into the tray.

DO NOT SEAL THE ENCLOSURE TO THE TRAY ON THE INSIDE

If the enclosure is sealed to the tray on the inside, any water that may get into the framework will not be able to drain back into the tray, this may cause the enclosure to leak.

Leave the silicone sealant to dry for 24 hours before using the enclosure.

CARE AND CLEANING

Do not use solvents or abrasive materials or chemicals to clean the enclosure.

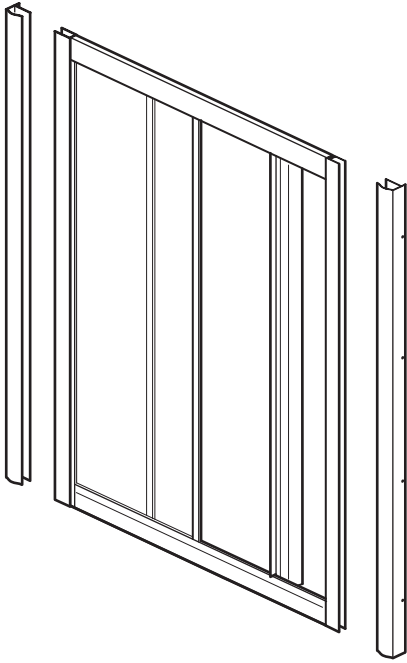
Only clean using soapy water and a soft cloth, rinse thoroughly afterwards.

Periodically apply silicone grease to the top and bottom tracks.

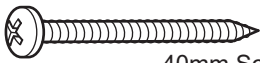
CONTENTS

DOOR IN ALCOVE


See pages 3 - 5



A  10mm Screw x 6

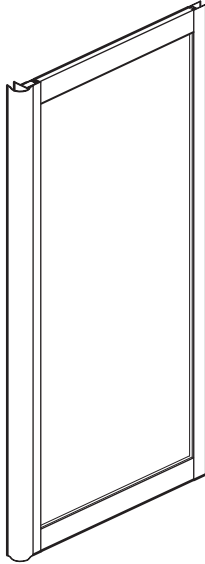
B  40mm Screw x 8

C  Wall plug x 8

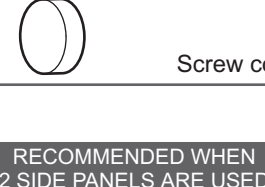
D  Screw cover x 14

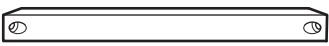
DOOR & SIDE PANEL

See pages 6 - 9

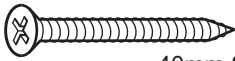


A  10mm Screw x 6

D  0019946020? , , , ? over x 6

E  Brace bar x 2

F  16mm Screw x 4

G  40mm Screw x 2

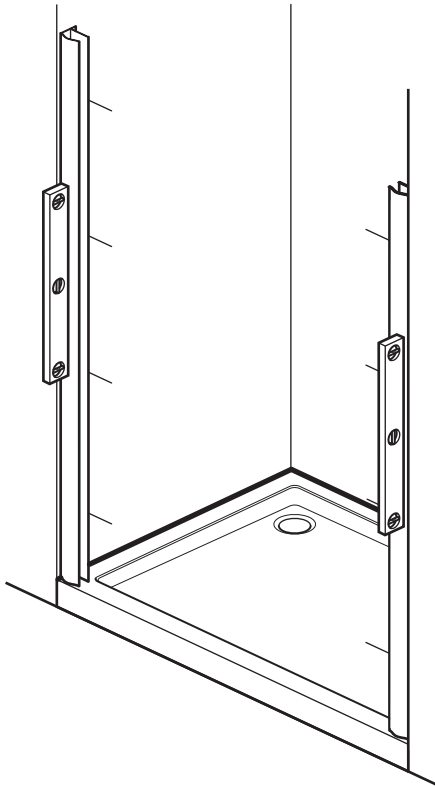
C  Wall plug x 2

Tools and equipment needed

Drill, 6.5mm Masonry drill bit, 3.2mm General drill bit, Phillips screwdriver, 4mm Allen key, Spirit level, Pencil, Silicone sealant.

SINGLE SLIDER IN ALCOVE

Step 1

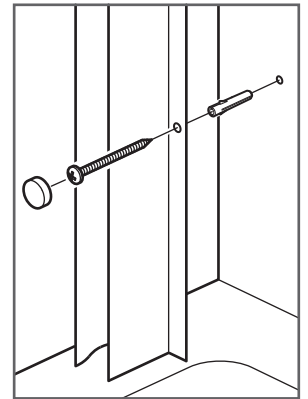
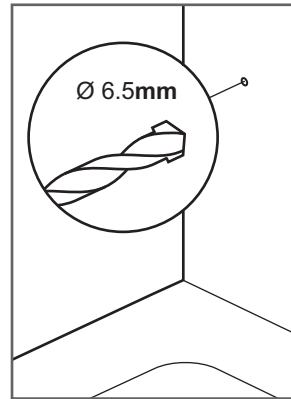
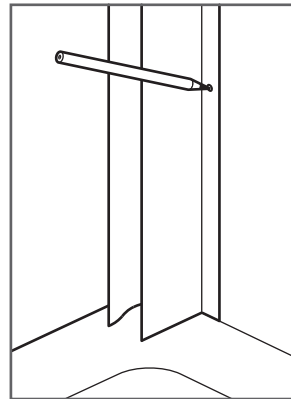


Remove both wall channels from the door frame. Place each wall channel in position on the tray (10 - 15mm in from the outer edge of the tray), use a spirit level to ensure they are vertical and mark all 8 fixing holes onto the walls (holes inside).

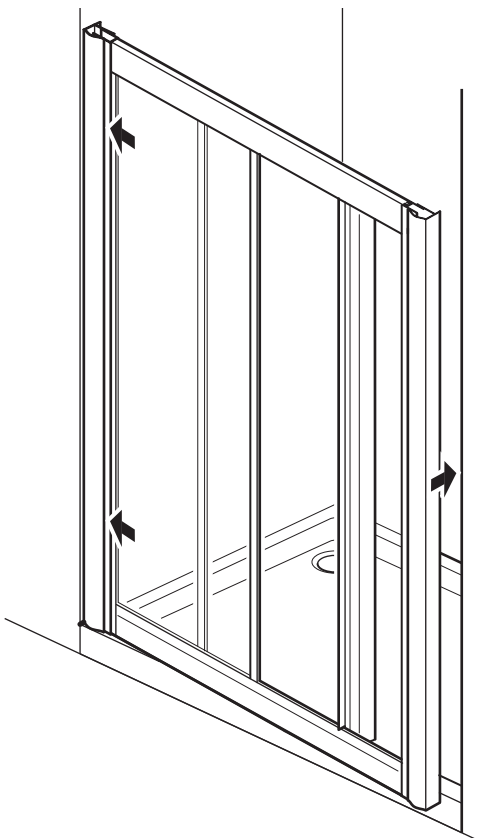
Drill holes in the positions marked using a 6.5mm masonry drill bit. Insert wall plugs (C) into all of the holes (beyond the thickness of the tile).

On fixed panel side only: Fix the wall channel to the wall using 4 x 40mm screws (B) and push on the screw covers (D).

Note: Inject silicone sealant into the holes before inserting the screws to seal the holes.



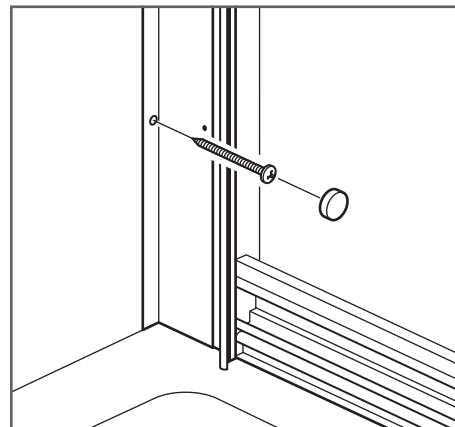
Step 2



Push the remaining wall channel back onto the door frame on the opening/handle side of the door.

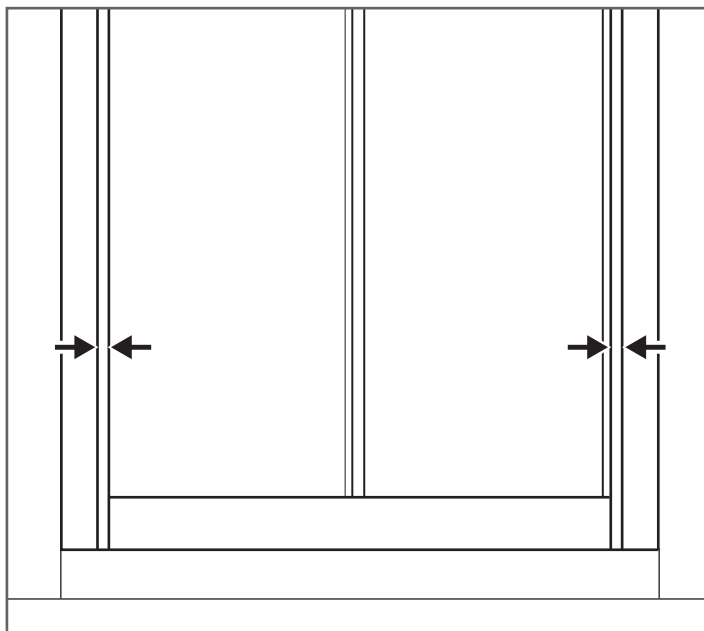
Insert the door into the 'fixed' wall channel and swing the free end into position on the opposite wall. Line up the fixing holes on the second wall channel with those on the wall and fix using 4 x 40mm screws (B) and push on the screw covers (D).

Note: Inject silicone sealant into the holes before inserting the screws to seal the holes.



SINGLE SLIDER IN ALCOVE

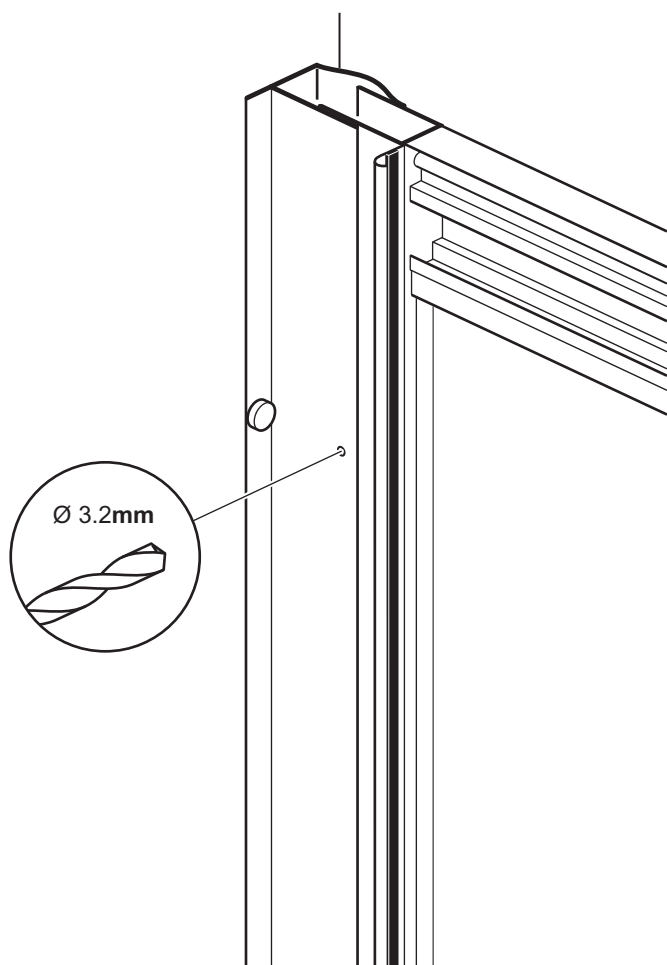
Step 3



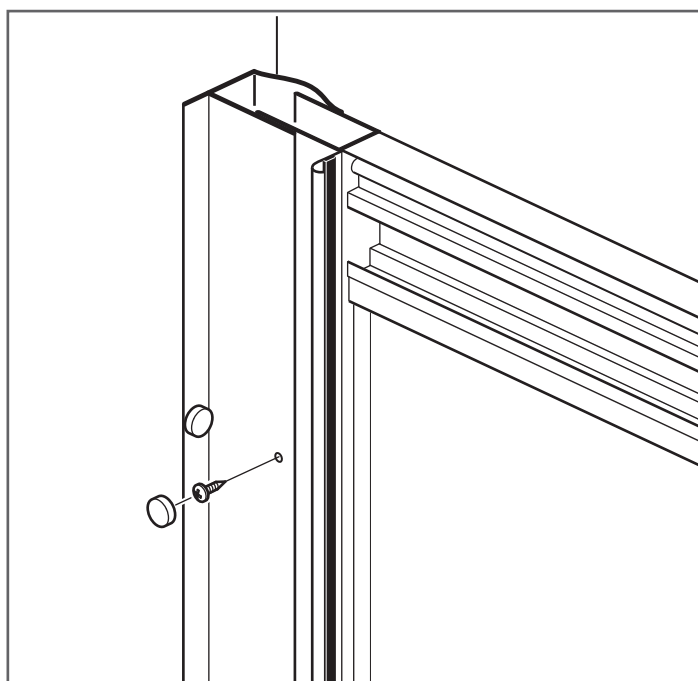
Before fixing the door to the wall channels you must make sure that the door is square within its outer frame.

First, centre the door frame between the wall channels. Next, with the door closed push the top of the door frame to the left or right so the door hangs squarely within its outer frame.

Step 4

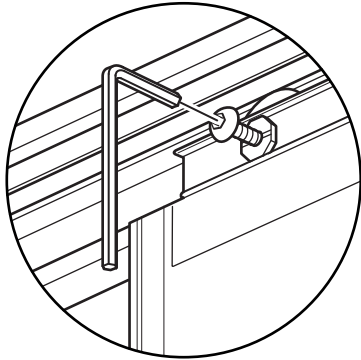


Fix the door to the wall channels. From inside, drill 3 holes through each wall channel (in the marked positions) into the door frame using a 3.2mm drill bit. Fix using 6 x 10mm screws (A) and push on the screw covers (D).



SINGLE SLIDER IN ALCOVE

Step 5

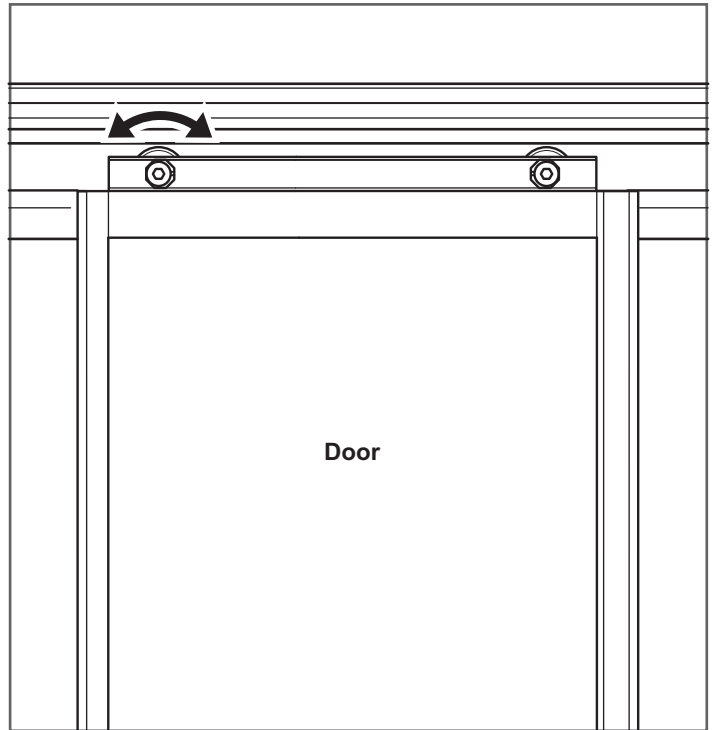


If the door is not square with the fixed panel or doesn't close correctly, one or both of the top sliders should be adjusted.

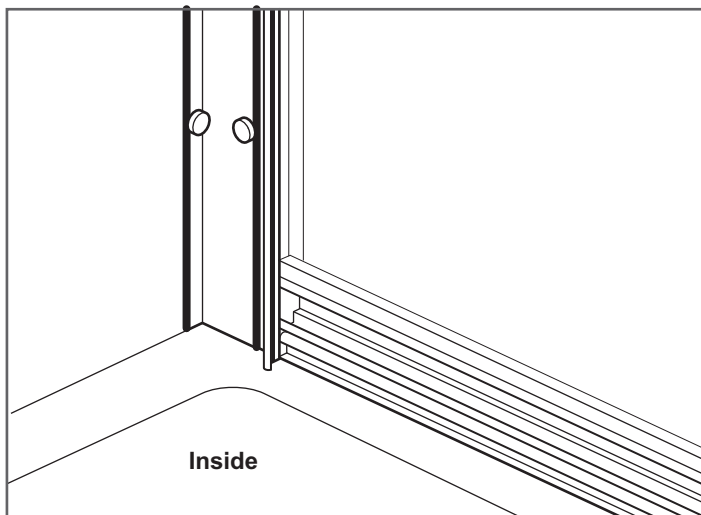
From inside the enclosure, remove ONE of the top allen bolts using a 4mm allen key and rotate the black wheel bush by one fat (1/8 turn) in the direction of the small arrows. This will lift or lower the door, repeat with the other slider if required.

Note: Rotating each bush by one fat (1/8 turn) will move the door by approximately 4mm.

Note: The black bushes can only be rotated by two fats (1/4 turn) in either direction.



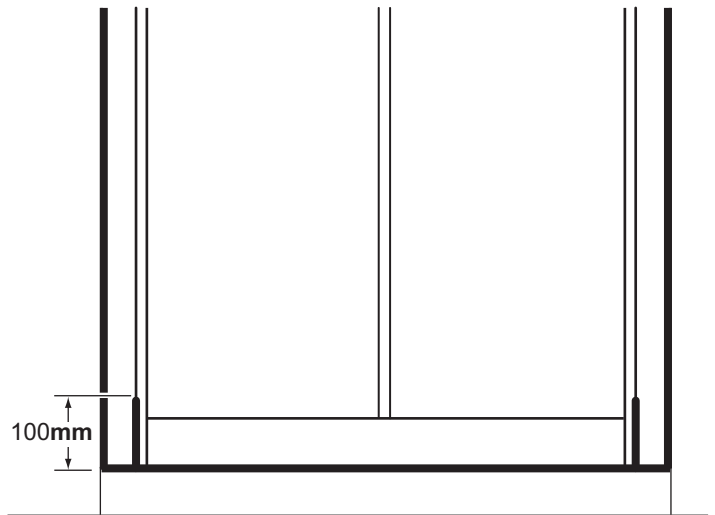
Step 6



Before sealing you must make sure that the door opens and closes correctly.

Sealing inside: Run a line of silicone sealant from top to bottom down the joint between the wall channels and tiles, also down the joint where the door slots into the wall channels.

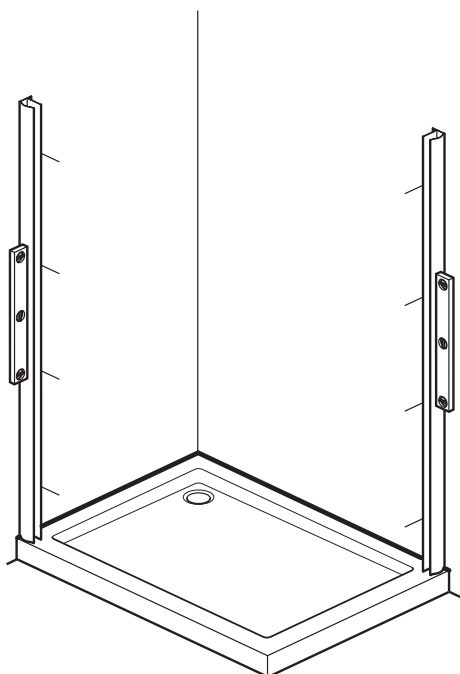
Do not seal the enclosure to the tray on the inside.



Sealing outside: Run a line of silicone sealant from top to bottom down the joint between the wall channels and tiles. Run a line of silicone sealant 100mm up the joint where the door slots into the wall channels. Run a line of sealant along the base in the joint between the bottom of the enclosure and the tray, from wall to wall.

SINGLE SLIDER & SIDE PANEL

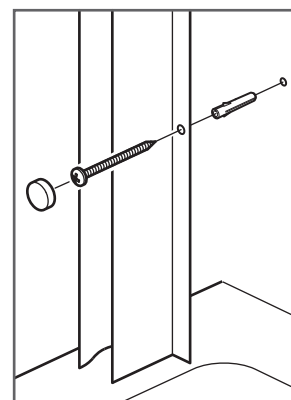
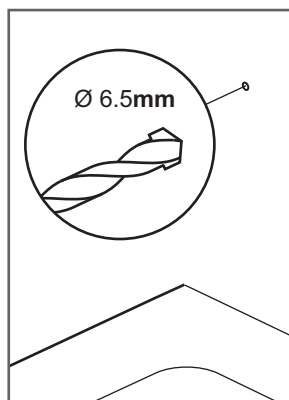
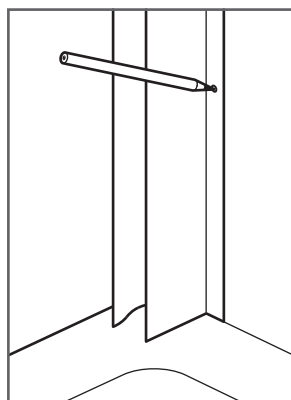
Step 1



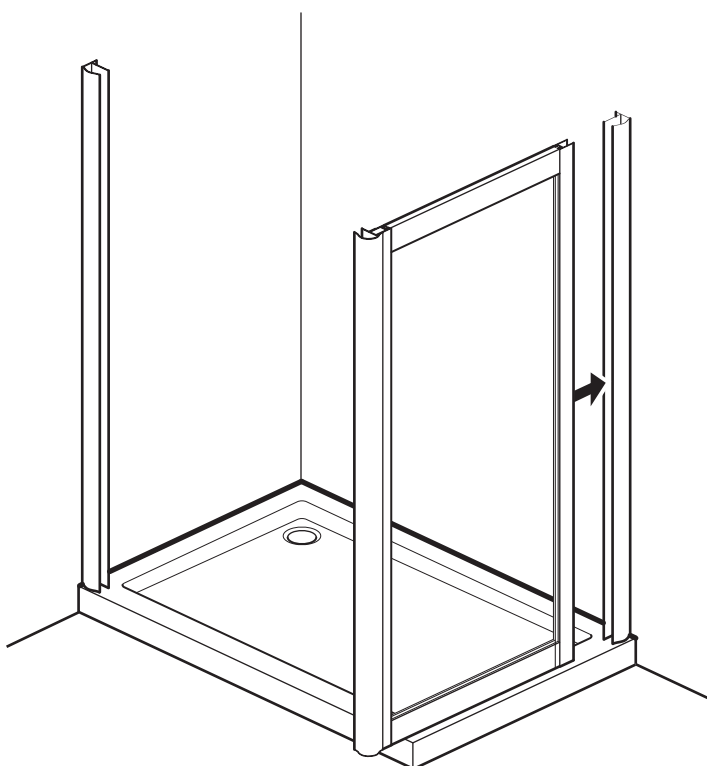
Remove both wall channels from the door frame. Place each wall channel in position on the tray (10 - 15mm in from the outer edges of the tray), use a spirit level to ensure they are vertical and mark all 8 fixing holes onto the walls (holes inside).

Drill holes in the positions marked using a 6.5mm masonry drill bit. Insert wall plugs (C) into all of the holes (beyond the thickness of the tile). Fix the wall channels to the wall using 8 x 40mm screws (B) and push on the screw covers (D).

Note: Inject silicone sealant into the holes before inserting the screws to seal the holes.



Step 2

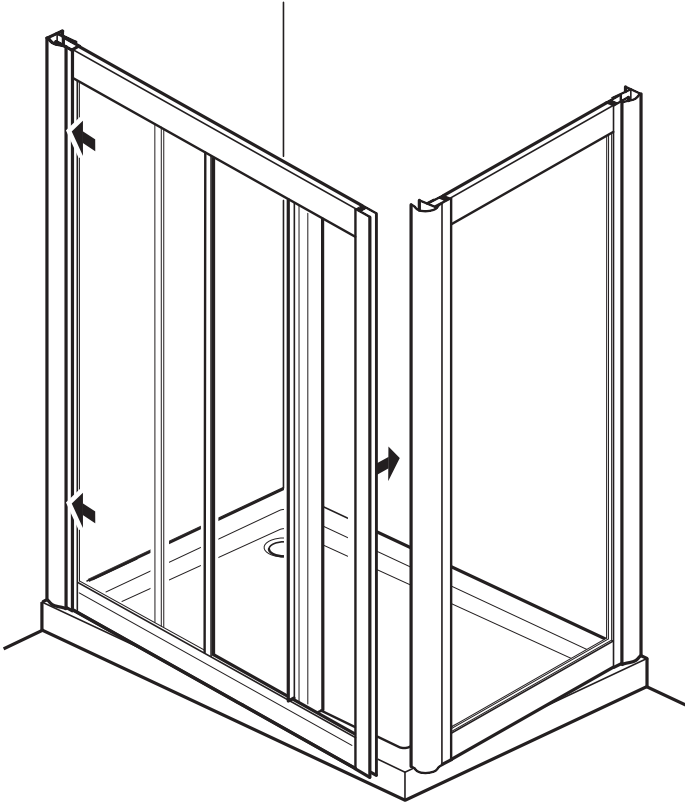


Insert the side panel into the wall channel and position correctly on the tray.

Note: The drain slot running across the top and bottom of the side panel **MUST** be on the inside of the enclosure.

SINGLE SLIDER & SIDE PANEL

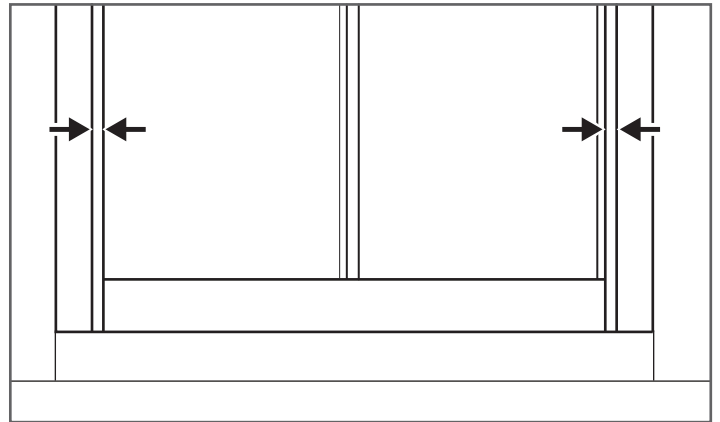
Step 3



Insert the door into the other wall channel and swing the free end into position on the tray. Push the corner post, fixed to the side panel, onto the side of the door.

Before fixing the door and side panel to the wall channels and corner post you must make sure that the door is square within its outer frame.

First centre the door between the wall channel and corner post. Next, with the door closed, push the top of the door frame to the left or right so the door hangs squarely within its outer frame.

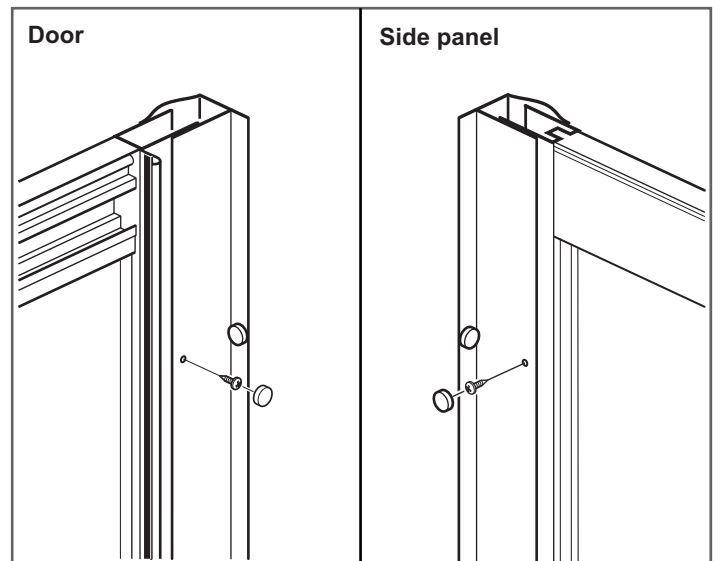
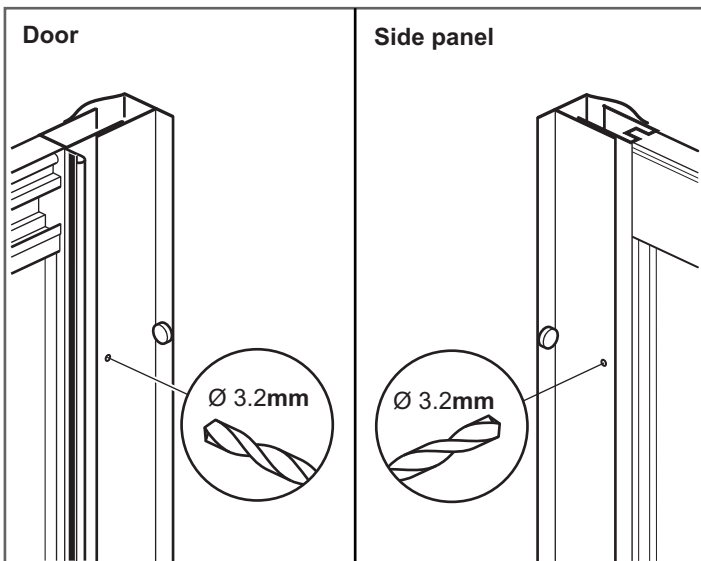


Step 4

Once you have checked that the corner post is vertical, fix the door and side panel to the wall channels and corner post.

From inside, drill 3 holes through each wall channel into the door and side panel (in the marked positions) using a 3.2mm drill bit.

Note: Stop drilling as soon as you feel the drill break through the first 2 layers of aluminium. Fix using 6 x 10mm screws (A) and push on the screw covers (D).

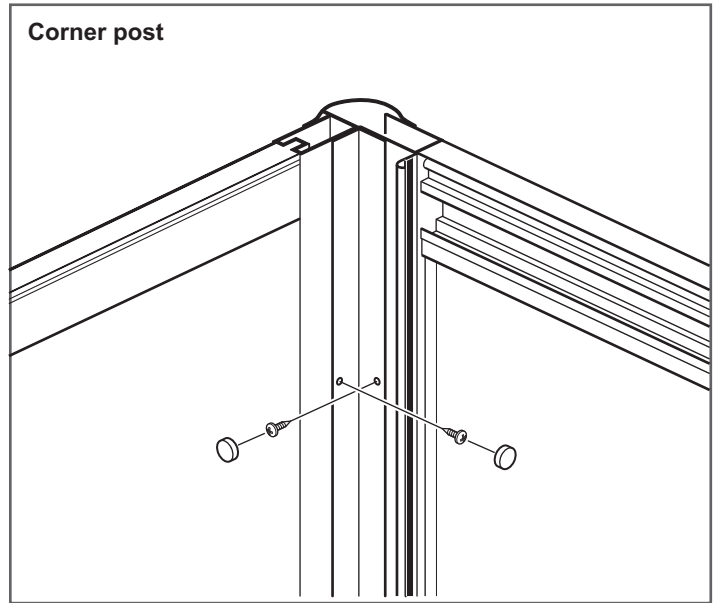
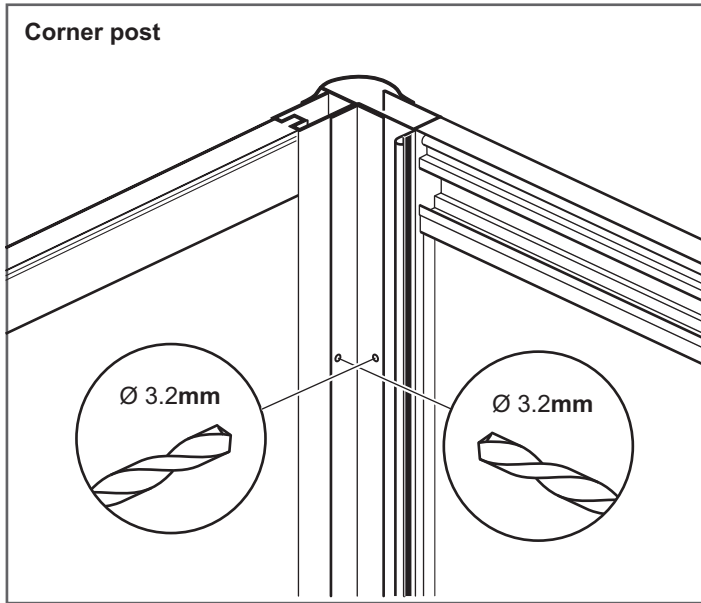


SINGLE SLIDER & SIDE PANEL

Step 4 continued

Check again that the corner post is vertical, and drill 6 more holes through the corner post into the door and side panel (in the marked positions) using a 3.2mm drill bit.

Note: Stop drilling as soon as you feel the drill break through the first 2 layers of aluminium. Fix using 6 x 10mm screws (A) and push on the screw covers (D).



Step 5 - Recommended with the two side panel option only

The brace bars are recommended when there are two side panels in the assembly.

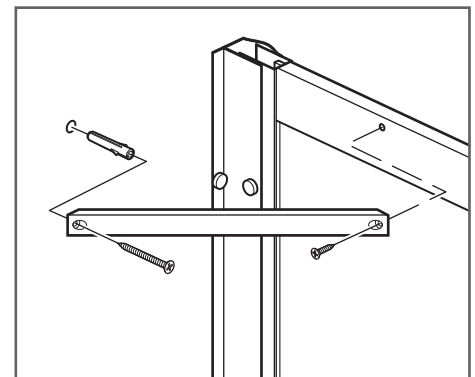
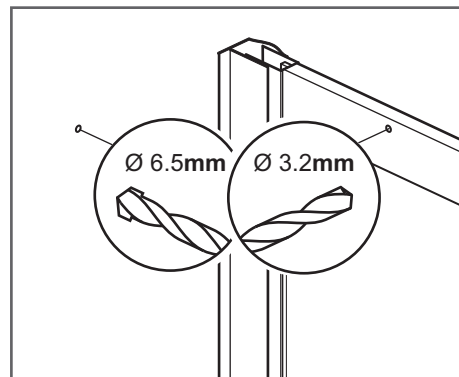
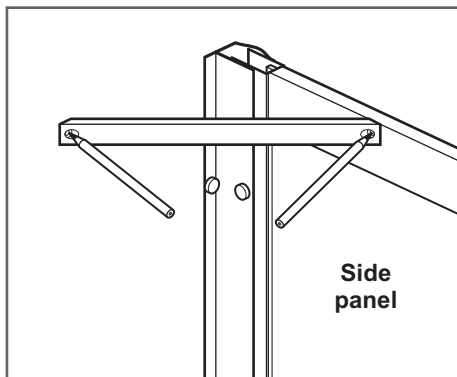
Fit the brace bar (E). Position the brace bar in the corner with one end on the side panel and the other against the wall. Use a spirit level to insure it is level as shown and mark the screw hole positions onto the side panel and wall.

Drill a hole in the position marked on the wall using a 6.5mm masonry drill bit. Insert a wall plug (C) into the hole (beyond the thickness of the tile). Drill a 3.2mm hole in the position marked on the side panel
Note: Stop drilling as soon as you feel the drill break through the first layer of

aluminium. Fix the brace bar to the wall using a 40mm counter sunk screw (G).

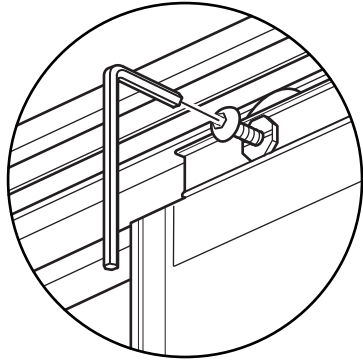
Note: Inject silicone sealant into the hole before inserting the screw to seal the hole.

Fix to the side panel using a 16mm counter sunk screw (F).



SINGLE SLIDER & SIDE PANEL

Step 6

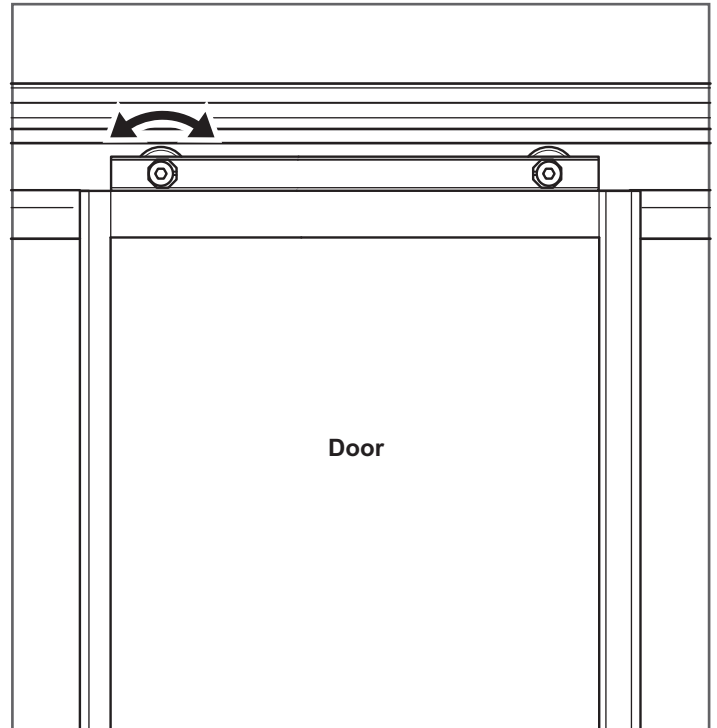


If the door is not square with the fixed panel or doesn't close correctly, one or both of the top sliders should be adjusted.

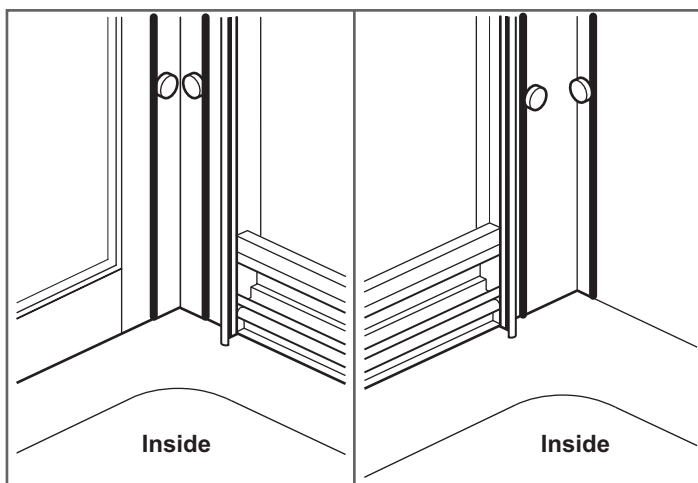
From inside the enclosure, remove ONE of the top allen bolts using a 4mm allen key and rotate the black wheel bush by one fat (1/8 turn) in the direction of the small arrows. This will lift or lower the door, repeat with the other slider if required.

Note: Rotating each bush by one fat (1/8 turn) will move the door by approximately 4mm.

Note: The black bushes can only be rotated by two fats (1/4 turn) in either direction.



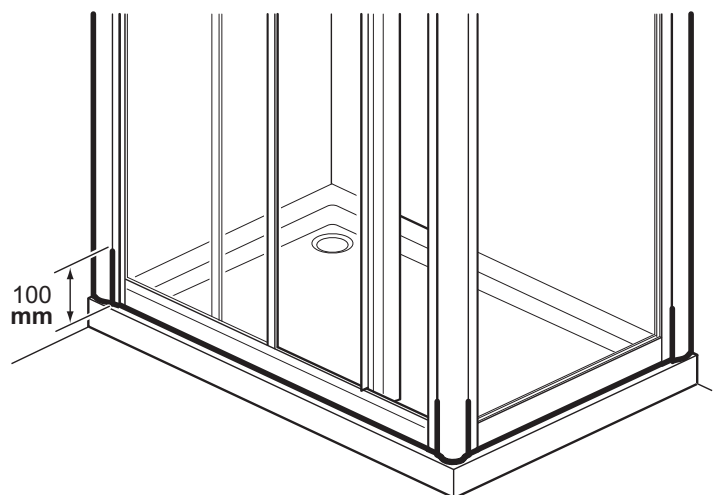
Step 7



Before sealing you must make sure that the door opens and closes correctly.

Sealing inside: Run a line of silicone sealant from top to bottom down the joint between the wall channels and tiles. Run a line of silicone sealant from top to bottom down the joint where the door and side panel slot into the wall channels and the door slots into the corner post.

Do not seal the enclosure to the tray on the inside.



Sealing outside: Run a line of silicone sealant from top to bottom down the joint between the wall channels and tiles. Run a line of silicone sealant 100mm up the joint where the door and side panel slot into the wall channels and corner post. Run a line of sealant around the base in the joint between the bottom of the enclosure and the tray, from wall to wall.

simpsons^x

For any further information please contact
Simpsons on: 0845 873 5808

Or visit our web-site at:
www.simpsons-enclosures.co.uk

The manufacturer reserves the right to make technical
modifications without prior notice.