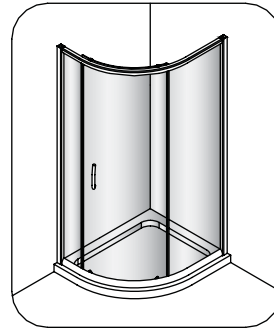
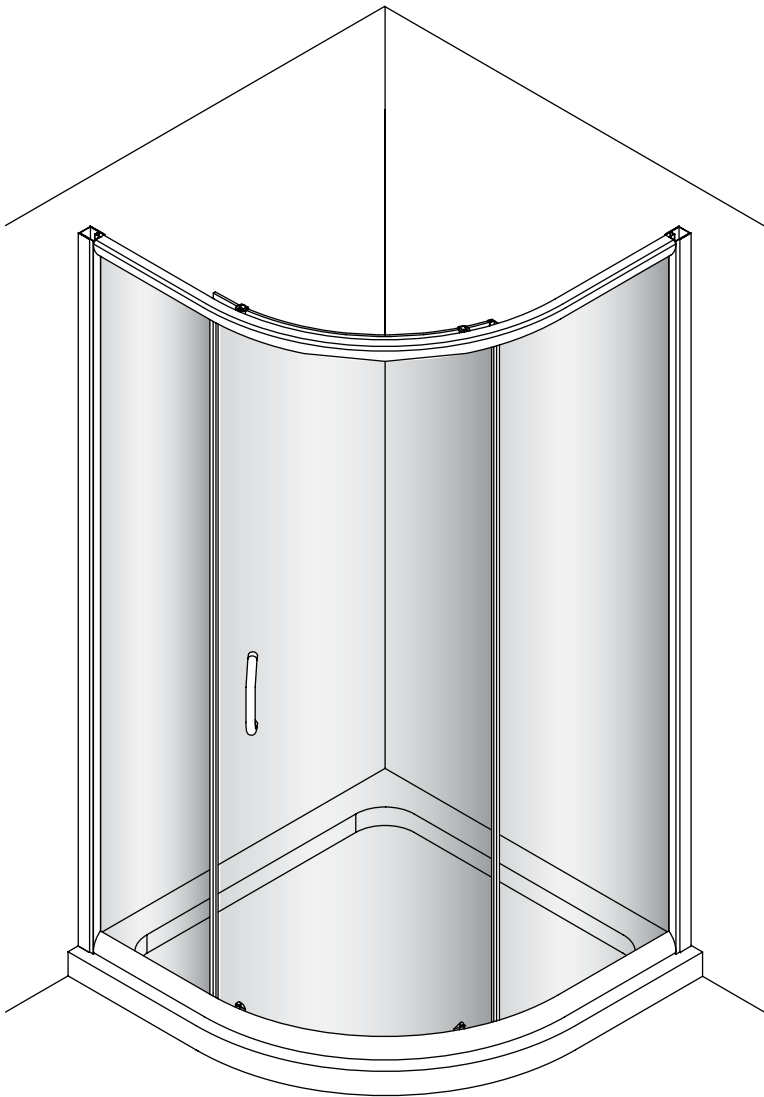
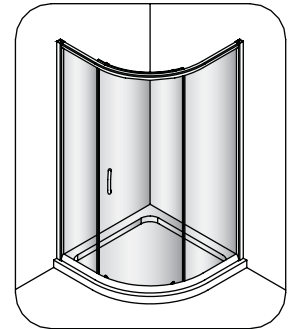


LUXURY CURVED QUADRANT SINGLE DOOR

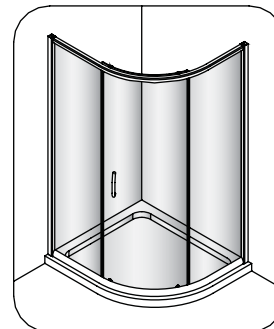
5332 5334
5331 5335
5333 5336



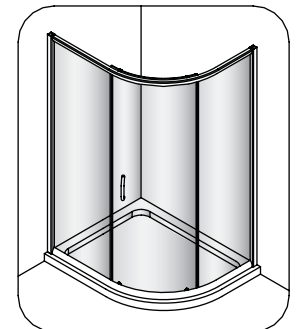
760 x 900mm
SINGLE DOOR



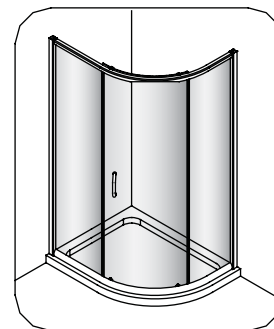
900mm x 900mm
SINGLE DOOR



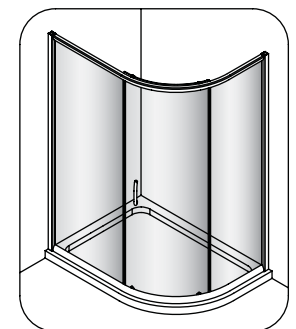
1000mm x 900mm
SINGLE DOOR



1100mm x 900mm
SINGLE DOOR



1000mm x 800mm
SINGLE DOOR



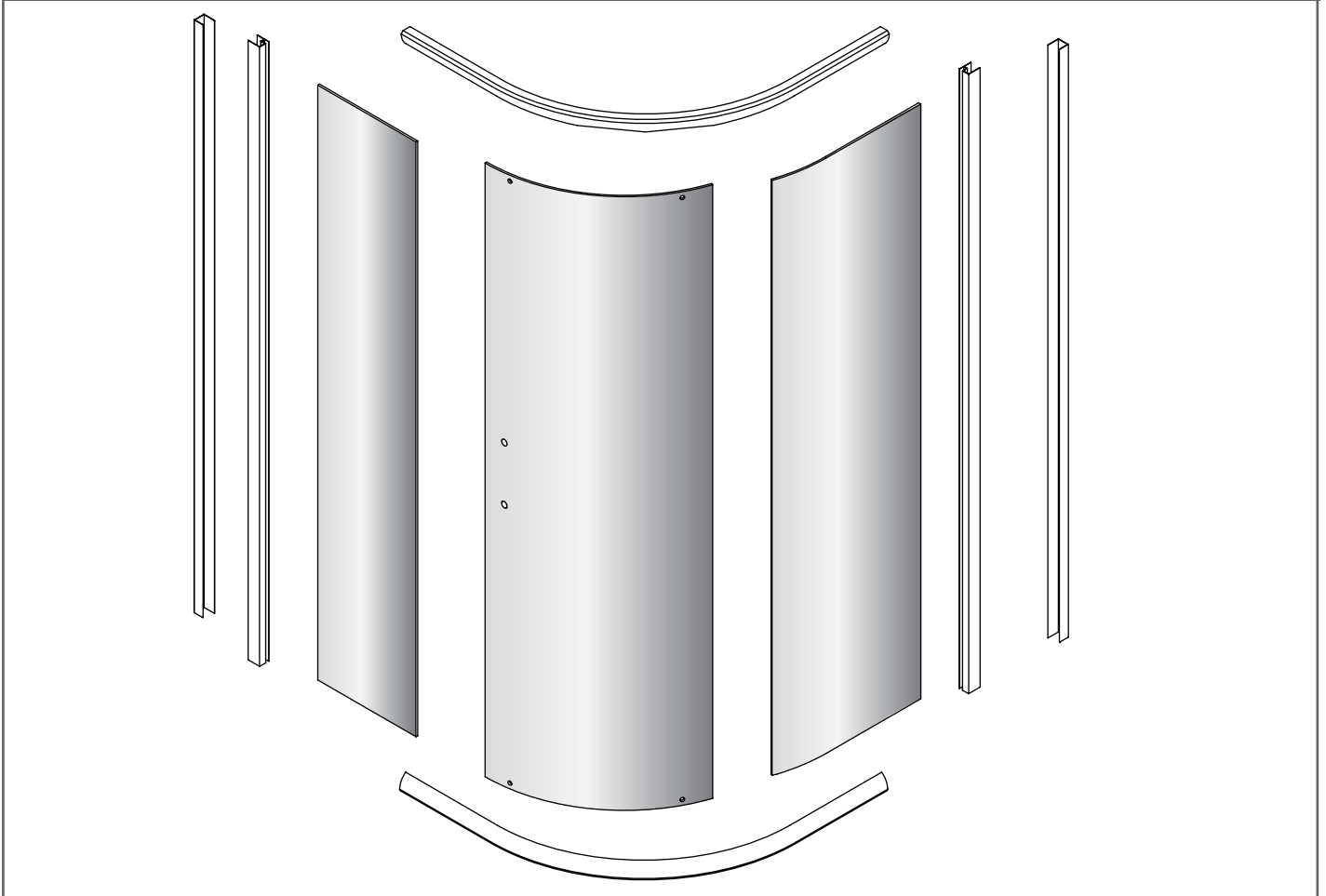
1200mm x 900mm
SINGLE DOOR


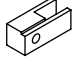


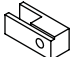


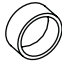
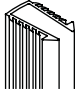







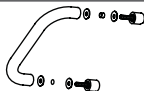
INSTALLATION INSTRUCTIONS

simpsons 

CONTENTS

SLIDING DOOR



A	 M4 *30mm Screw x 16	G	 Glass Clamp x 2	M	 Glass Panel Waterproof Strip x 2
B	 Wall Plug x 8	H	 Glass Clamp x 2	N	 Slider Door Waterproof Strip x 1
C	 M4 *16mm Screw x 6	I	 Roller Screw Cap x 4	O	 Seal Strip x 2
D	 Cap and Washer x 6	J	 Top Roller x 2	P	 Seal Strip x 4
E	 M4 *10mm Glass Clamp Screw x 4	K	 Bottom Roller x 2	Q	 Lubrication x 1
F	 Glass Clamp Cap x 4	L	 Handle x 1		

Tools and equipment needed

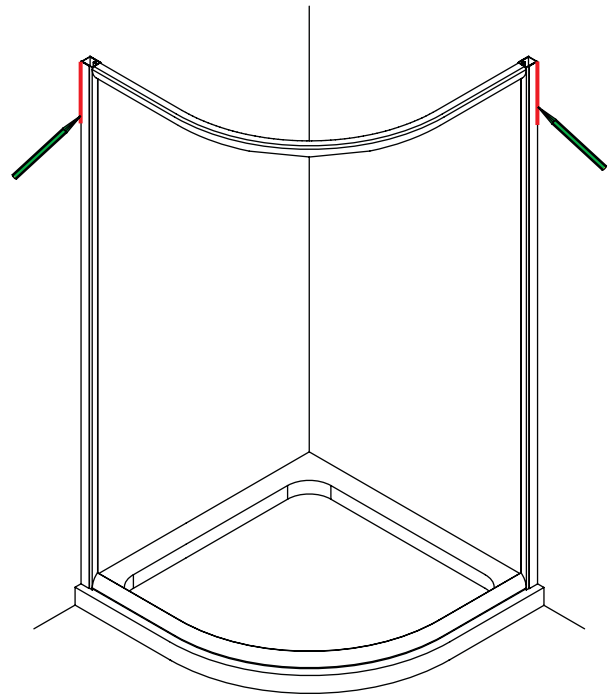
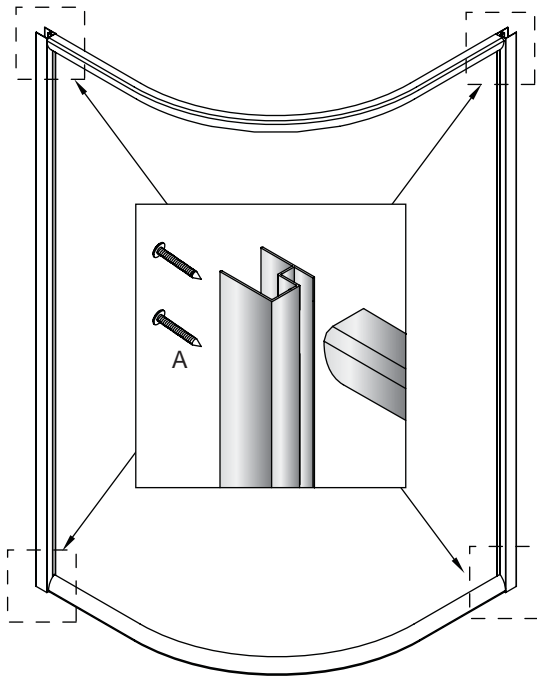
Drill, 6.5mm Masonry drill bit, 3mm General drill bit, Philips screwdriver, Spirit level, Pencil, Scissors, Silicone sealant.

Step 1 - ASSEMBLE FRAME AND POSITIONING WALL CHANNEL

Screw the connection profiles to the tracks to form a door frame using the screws (A), ensuring that the connection profiles have the channels for the glass panels facing inwards towards the curve.

Note: Ensure that the frames mate well and that the screws (A) are screwed in straight.

Insert the door frame into the wall channels and then offer the entire frame to the shower tray or cubicle to check the positioning of the wall channels for best fit. Mark the position of the wall channels on the wall using a pencil.



Step 2 - FITTING THE WALL CHANNEL

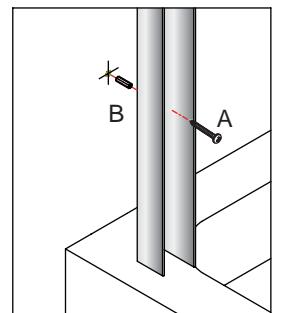
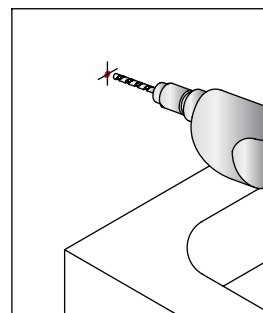
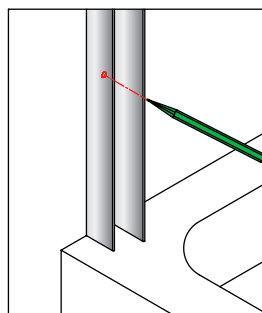
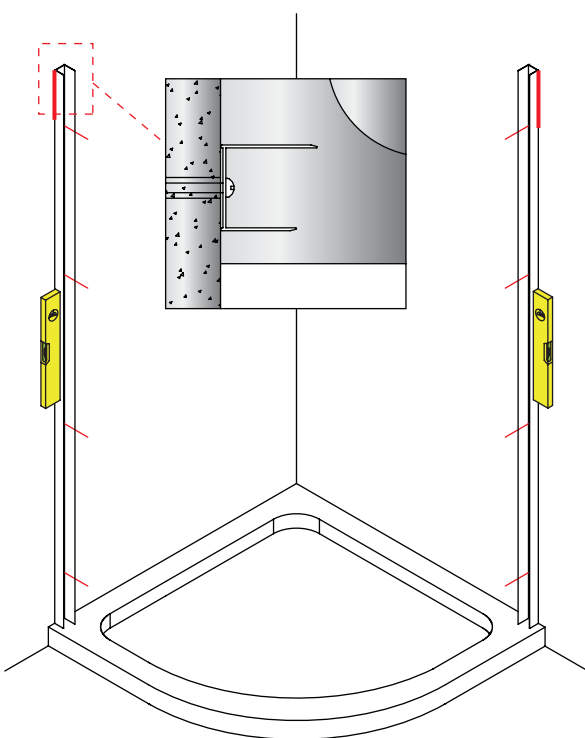
Remove both wall channels from the door frame. Place each wall channel against the wall as shown in the left diagram, use a spirit level to ensure they are vertical and mark all 8 fixing holes onto the walls (holes inside).

Drill holes in the positions marked using a 6.5mm masonry drill bit. Insert wall plugs (B) into all of the holes (beyond the thickness of the tile).

Fix the wall channels to the wall using 8 screws (A).

Re-insert the door frame into the fixed wall channels. It is usual for the door frame to "spring" into the wall channels.

Note: Inject silicone sealant into the holes before inserting the screws to seal the holes.

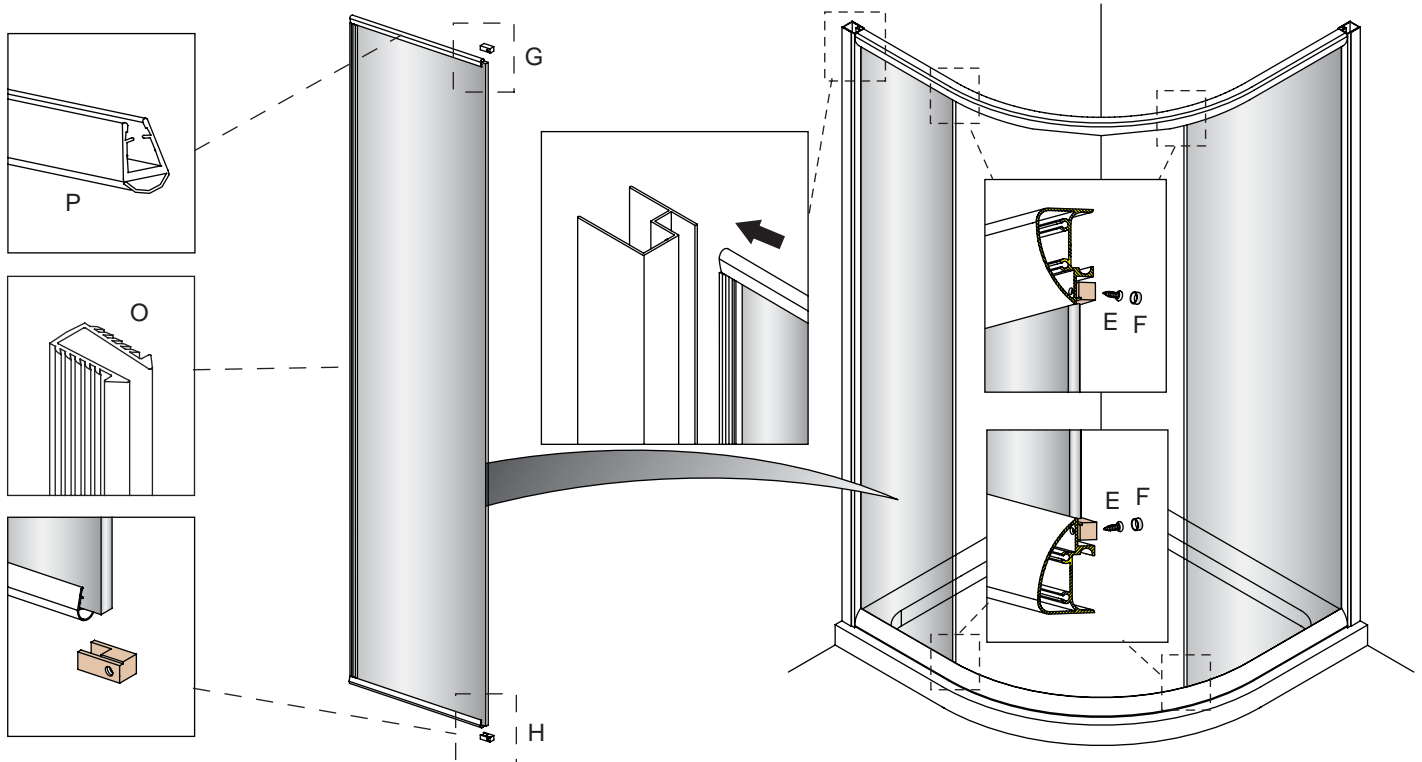


Step 3 - FITTING GLASS PANEL

Attach Seal Strips (P) to the top and bottom edge of the glass panel, cut the Seal Strip (O) to length so that it fits tightly in between the horizontal seal strips (P). After pushing the Seal Strip (O) to the side edge of the glass panel, fit the glass clamp (G), (H) to the two corners of the glass panel as per diagram below.

Slide this glass panel into the connection profile so that it sits squarely in the door frame.

Screw the Glass Clamps to the door frame using supplied screws (E) and cover the screws with caps (F).

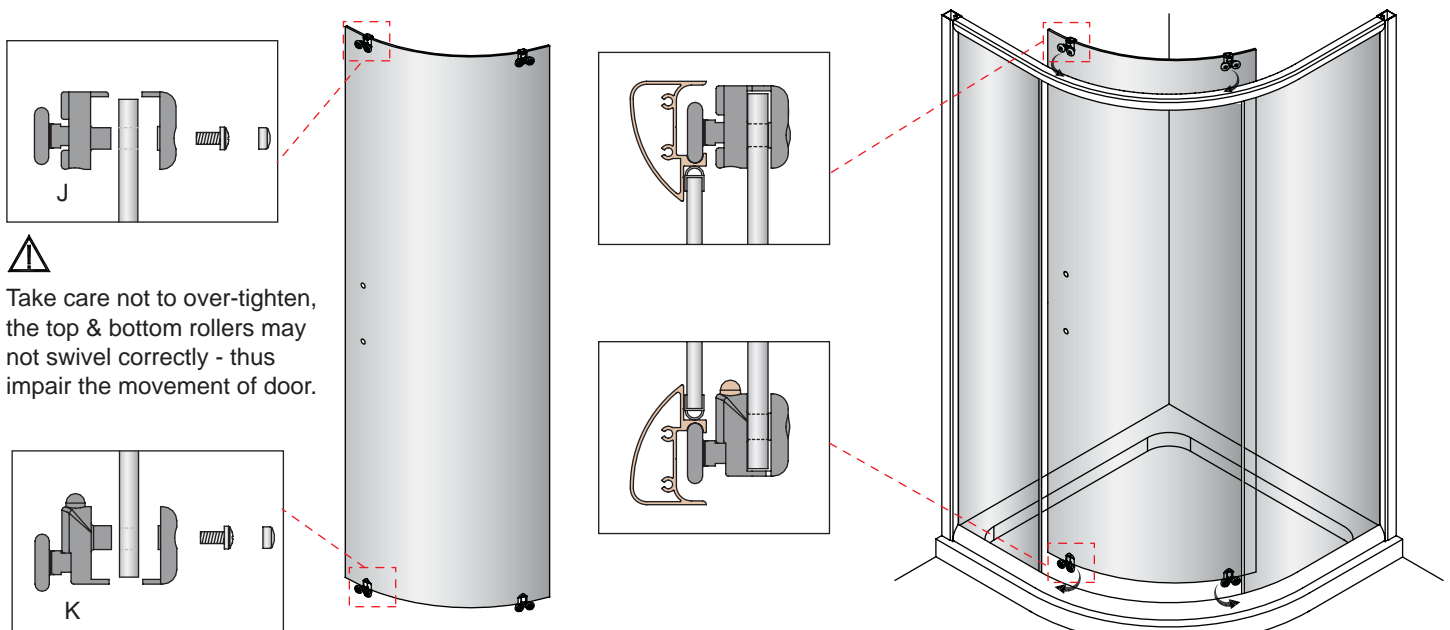


Step 4 - FITTING SLIDING DOOR

The moving door always slides towards the glass panel with curved glass.

Fit the rollers (J), (K) to the curved doors (spring loaded rollers are to be located at the bottom).

Hang the doors onto the top track, and push the spring loaded bottom on the bottom rollers and ease the rollers into the bottom track.



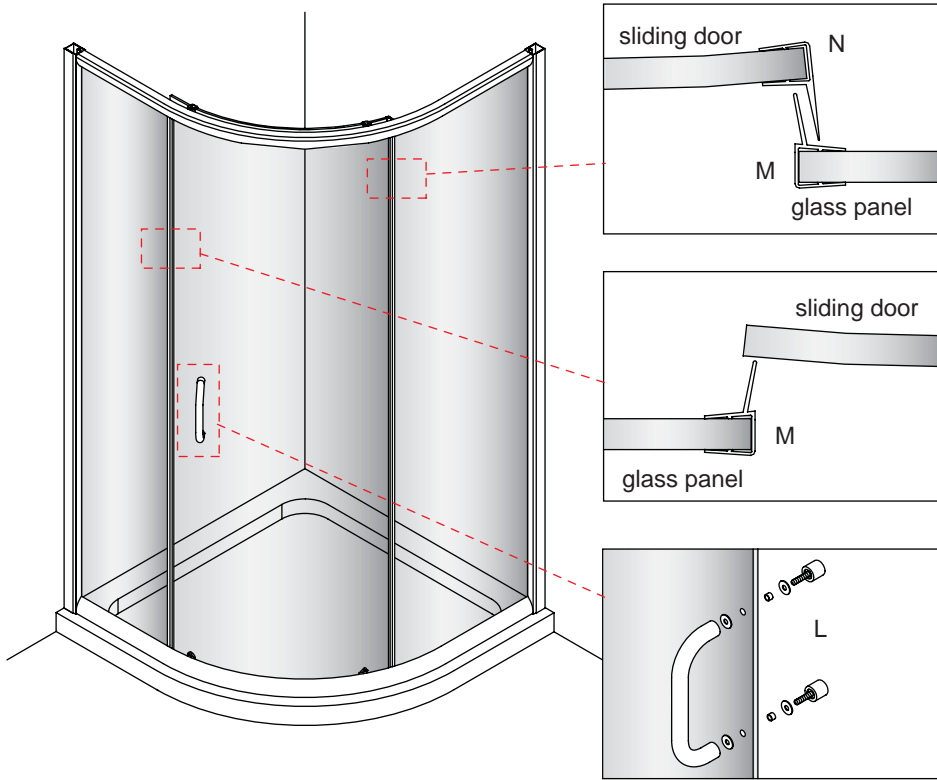
⚠
Take care not to over-tighten, the top & bottom rollers may not swivel correctly - thus impair the movement of door.

Step 5

Push the Waterproof Strips (M) onto the glass panels, and the Waterproof Strip (N) onto the Sliding door. (As shown diagram below)

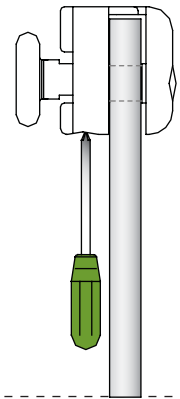
Fix the handle to the sliding door, make sure that the plastic tube provided with handle is always put into the holes on the sliding door.

Spread Lubrication (Q) into top and bottom roller tracks.



If the sliding door is skew, or the sliding door is not closed perfectly.

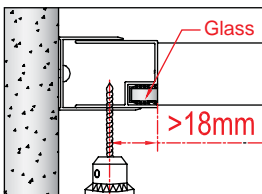
Adjust the bottom screw of the top roller to solve the problems above. (Diagram below for the detail)



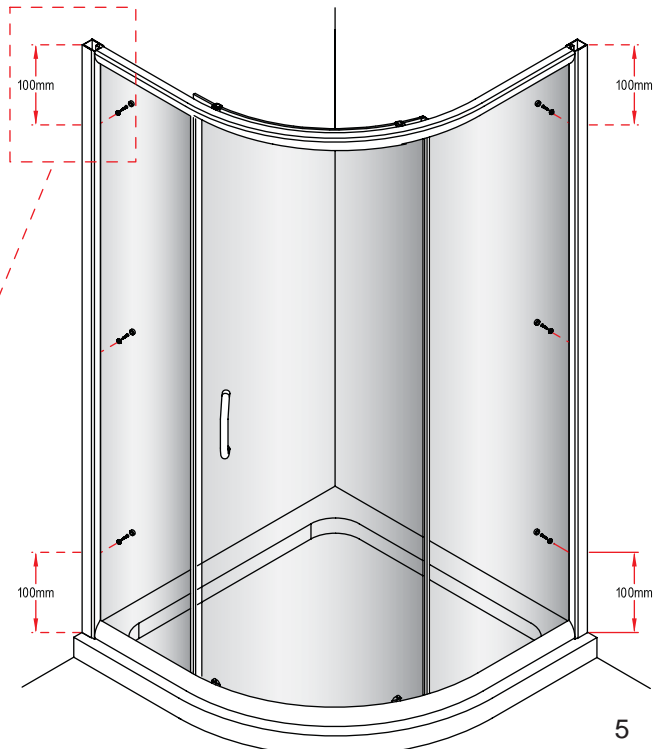
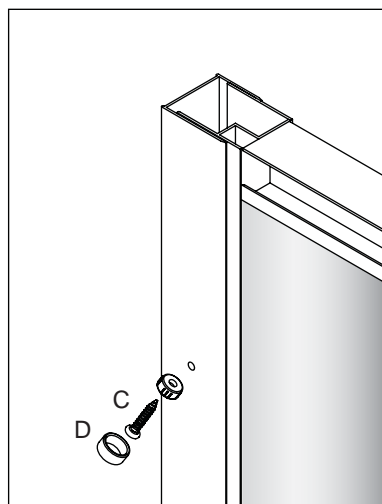
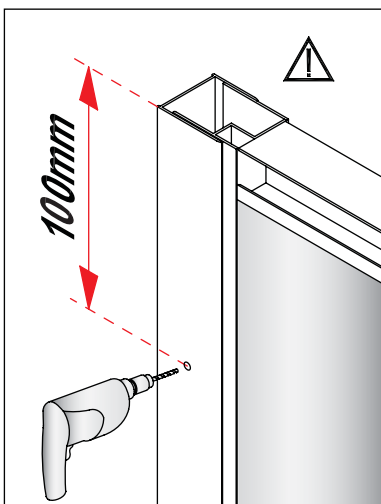
Step 6

Once you have checked that the door opens and closes correctly fix the door frame to the wall channels.

From inside, drill 3 holes through each wall channel/door frame using a 3.0mm drill bit. Fix using caps and washers (D), screws (C).

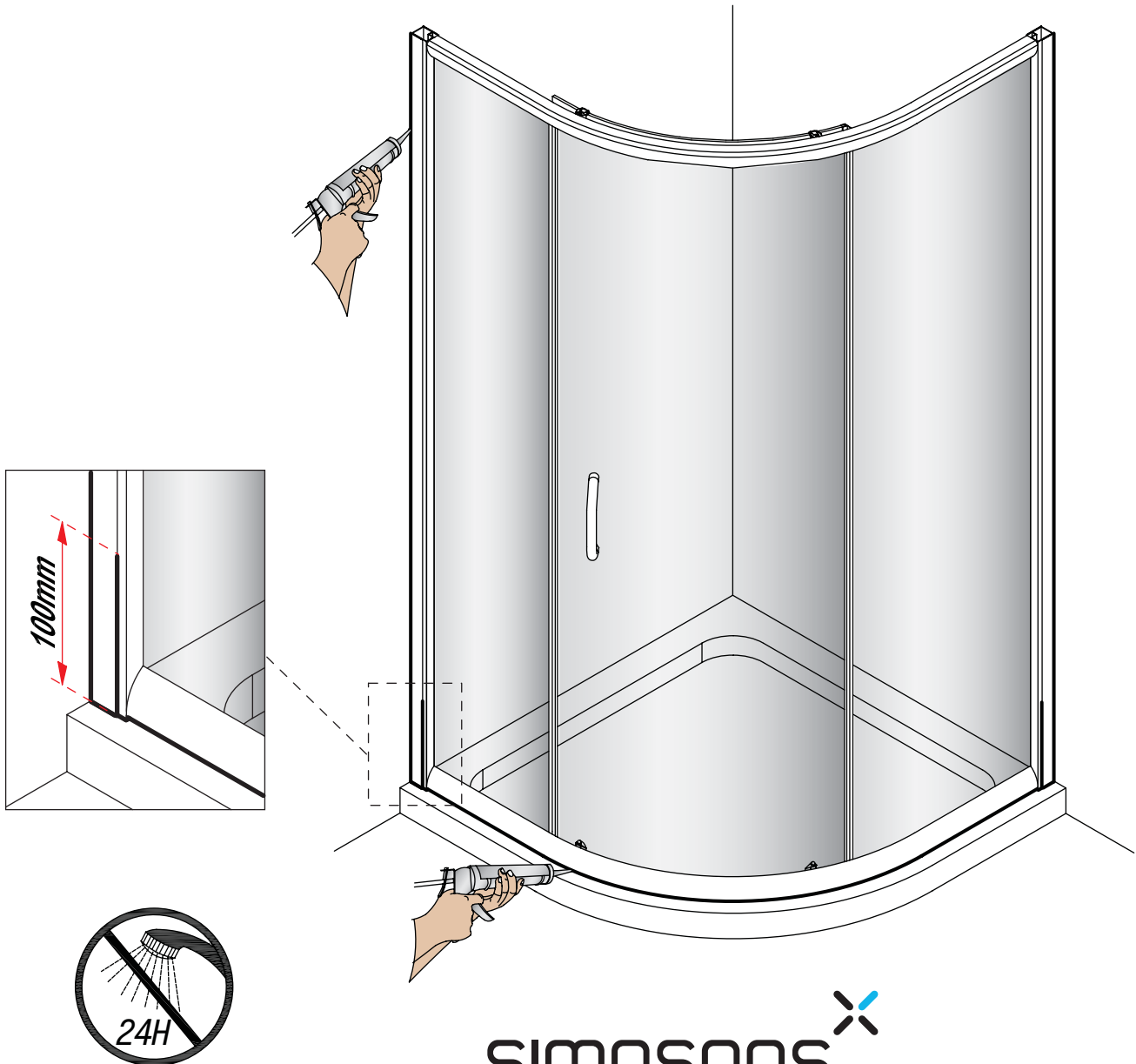


Please follow the left diagram for drilling, so as not to drill into the glass.



Step 7

Sealing outside: Run a line of silicone sealant from top to bottom down the joint between the wall channels and tiles.
Run a line of silicone sealant 100mm up the joint where the door slots into the wall channel.
Run a line of silicone sealant along the base in the joint between the bottom of the enclosure and the tray outside only.



simpsons 

For any further information please contact
Simpsons on: 0845 873 5808

Or visit our web-site at
www.simpsons-enclosures.co.uk

The manufacturer reserves the right to make technical
modifications without prior notice.