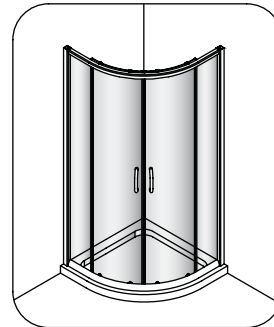
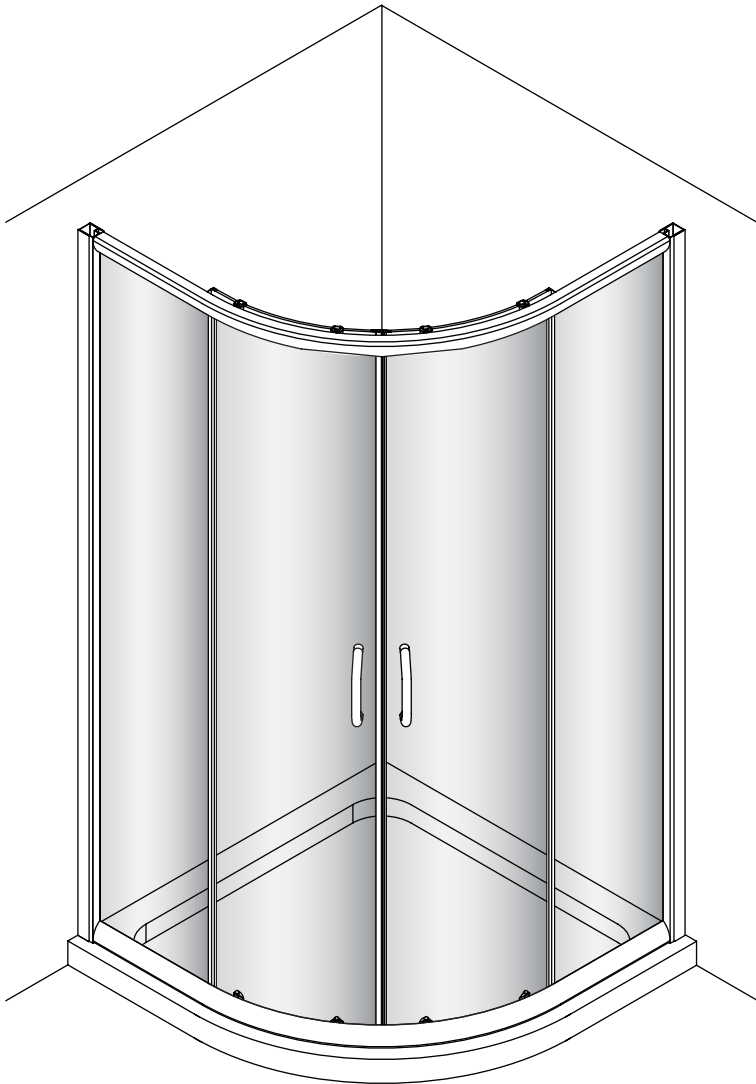
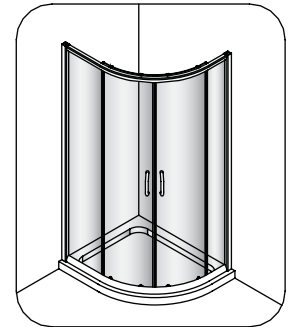


LUXURY CURVED QUADRANT DOUBLE DOOR

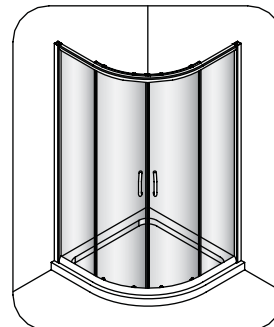
5304 5306
5313 5314
5302 5305
5316 5315
5317 5318



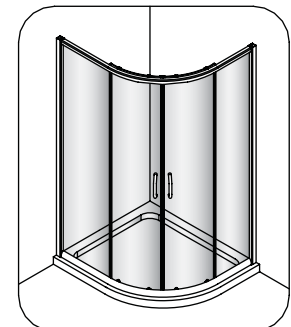
800mm x 800mm
DOUBLE DOOR



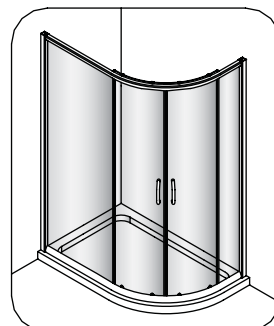
900mm x 760mm
DOUBLE DOOR



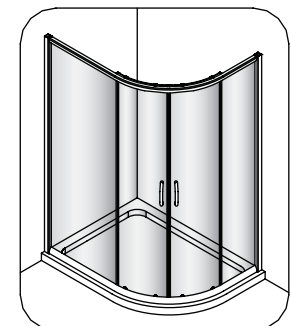
900mm x 900mm
DOUBLE DOOR



900mm x 1000mm
DOUBLE DOOR



800mm x 1200mm
DOUBLE DOOR



900mm x 1200mm
DOUBLE DOOR

INSTALLATION INSTRUCTIONS

SIMPSONS 

IMPORTANT - Please read before installation

Please read these instructions carefully before starting installation and keep in a safe place for future reference.

Check the contents of the pack carefully before installation. Simpsons will not be held responsible for any de-fit / re-fit costs where faulty product has been fitted.

If any fault is found with materials or workmanship, it must be reported immediately to the manufacturer. Remedial action will be taken, based on information received, on condition that:

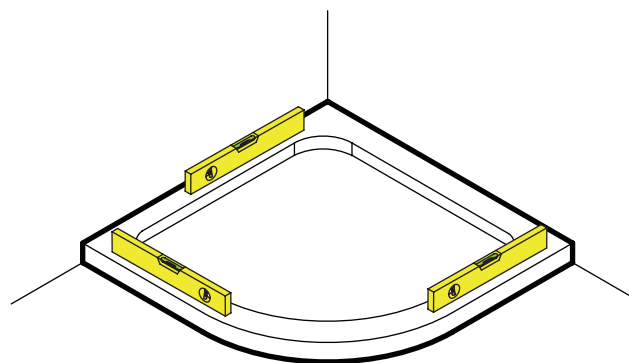
1. Full details are supplied to the manufacturer;
2. The enclosure has not been modified or tampered with;
3. The manufacturer is informed of any damage/shortages prior to installation.

We do not accept responsibility for any problems that may occur through incorrect installation.

The success of the installation and operation of any shower enclosure is, of course, dependant on the squareness, alignment and construction of the walls to which fixing is to be carried out.

VERY IMPORTANT

You must complete all tiling and grouting, and the shower tray **MUST** be level and fully sealed to the tiles before installation. If you do not fit the enclosure onto a tiled surface, or seal the tiles to the tray before installation, water may soak into the wall behind the wall profiles.



INSTALLATION - Advice and safety

The installation instructions are based on typical use and conditions.

These hints have been prepared for your guidance, you must exercise due care at all times.

For Health and Safety 2 people must carry out the installation of this enclosure.

Handle glass with care. Although the glass supplied is toughened safety glass (EN12150), impacts can damage both the glass and the frame.

Warning!

Please check for any hidden pipes or cables before drilling holes in the wall.

When using power tools always follow the manufacturers user instructions.

If the Framework is sealed to the tray on the inside, any water that may get into the framework will not be able to drain back into the tray, this may cause the enclosure to leak.

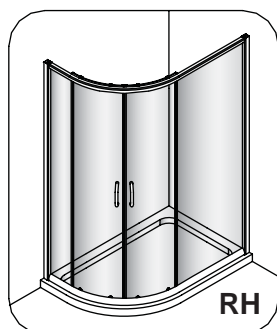
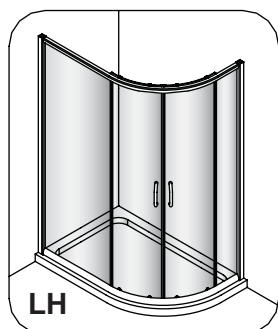
Leave the silicone sealant to dry for 24 hours before using the enclosure.

CARE AND CLEANING

Do not use solvents or abrasive material or chemicals to clean the enclosure.

Only clean using soapy water and a soft cloth, rinse thoroughly afterwards.

INSTALLATION - Left and Right hand

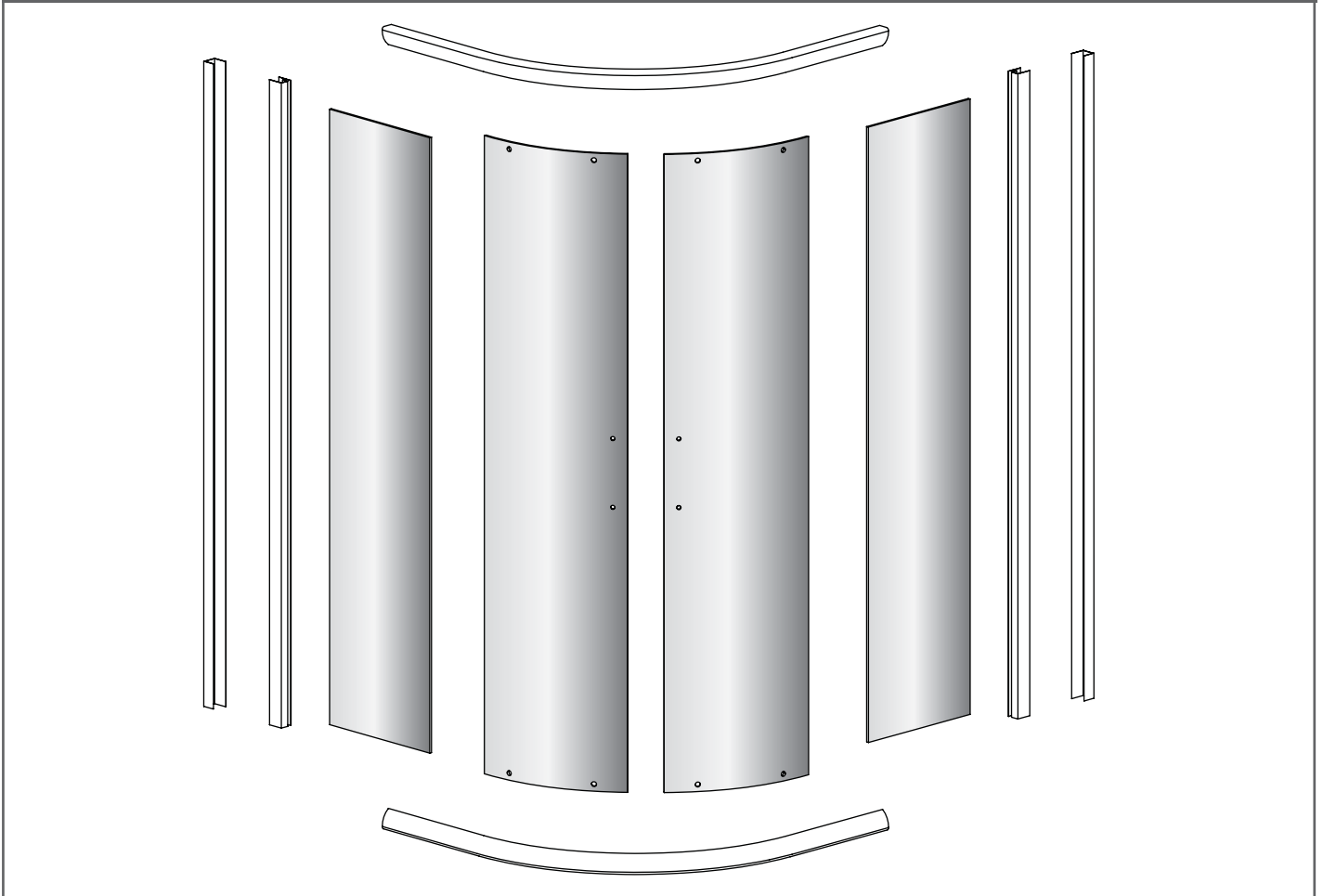




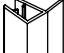
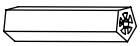



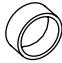
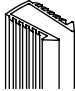





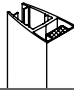

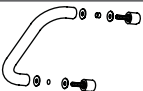

Products 800mm x 800mm and 900mm x 900mm are identical whether you install them Left or Right hand.

Products 900mm x 760mm, 900 x 1000mm, 800mm x 1200mm, 900 x 1200mm are reversible for Left or Right hand installation. Please follow the relevant diagram for your choice of installation.

CONTENTS

SLIDING DOOR



A	 M4 *30mm Screw x 16	G	 Glass Clamp x 2	M	 Glass Panel Waterproof Strip x 2
B	 Wall Plug x 8	H	 Glass Clamp x 2	N	 Slider Door Waterproof Strip x 2
C	 M4 *16mm Screw x 6	I	 Roller Cap x 8	O	 Seal Strip x 2
D	 Cap and Washer x 6	J	 Top Roller x 4	P	 Seal Strip x 4
E	 M4 *10mm Glass Clamp Screw x 4	K	 Bottom Roller x 4	Q	 Magnetic Strip x 2
F	 Glass Clamp Cap x 4	L	 Handle x 2	R	 Lubrication x 1

Tools and equipment needed

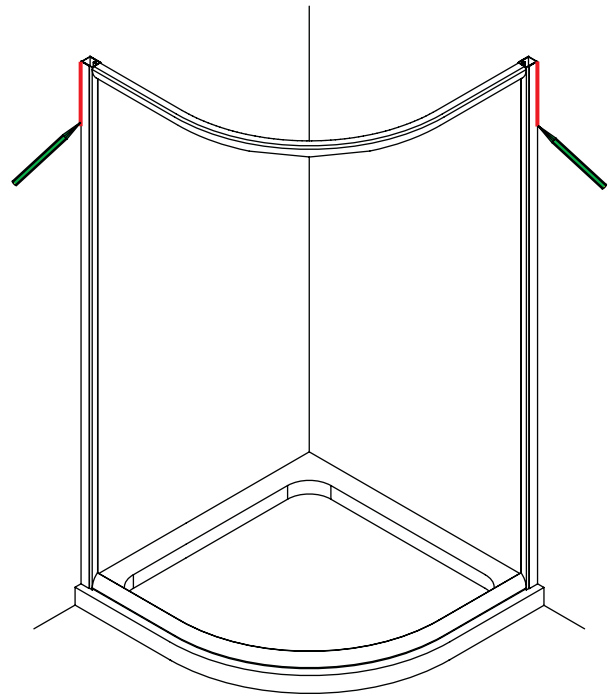
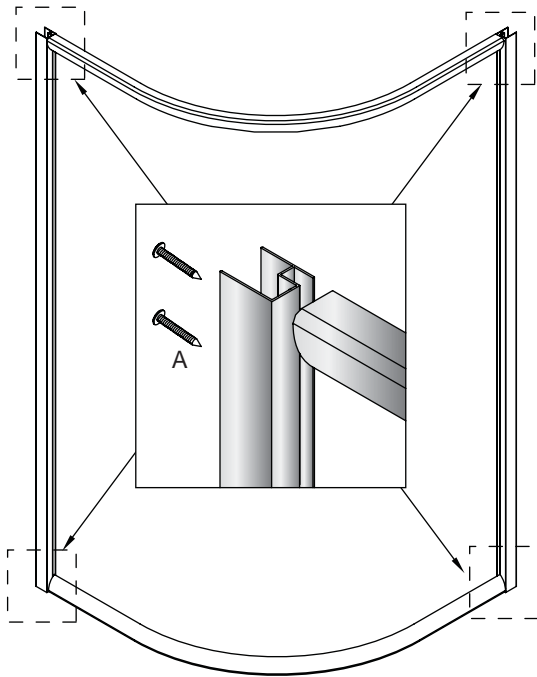
Drill, 6.5mm Masonry drill bit, 3mm General drill bit, Philips screwdriver, Spirit level, Pencil, Scissors, Silicone sealant.

Step 1 - ASSEMBLE FRAME AND POSITIONING WALL CHANNEL

Screw the connection profiles to the tracks to form a door frame using the screws (A), ensuring that the connection profiles have the channels for the glass panels facing inwards towards the curve.

Note: Ensure that the frames mate well and that the screws (A) are screwed in straight.

Insert the door frame into the wall channels and then offer the entire frame to the shower tray or cubicle to check the positioning of the wall channels for best fit. Mark the position of the wall channels on the wall using a pencil.



Step 2 - FITTING THE WALL CHANNEL

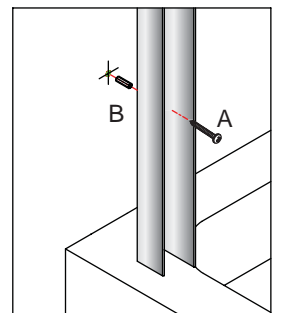
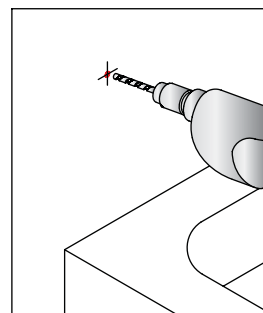
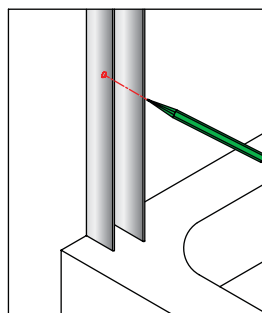
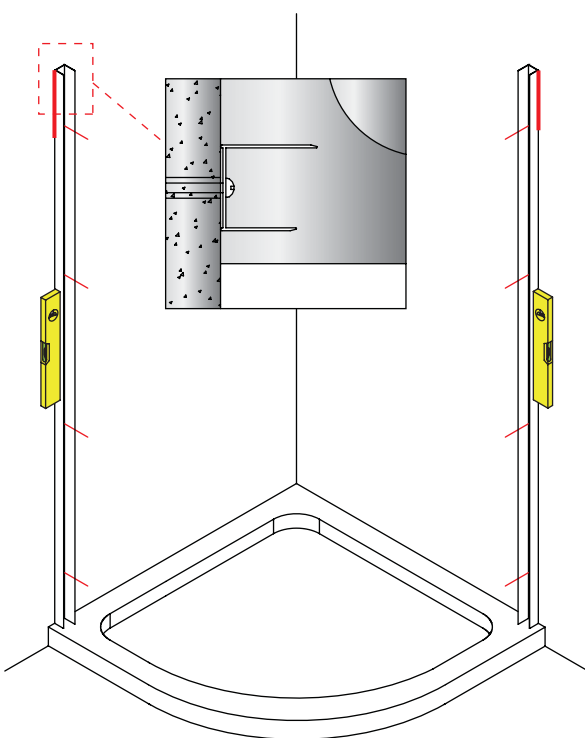
Remove both wall channels from the door frame. Place each wall channel against the wall as shown in the left diagram, use a spirit level to ensure they are vertical and mark all 8 fixing holes onto the walls (holes inside).

Drill holes in the positions marked using a 6.5mm masonry drill bit. Insert wall plugs (B) into all of the holes (beyond the thickness of the tile).

Fix the wall channels to the wall using 8 screws (A).

Re-insert the door frame into the fixed wall channels. It is usual for the door frame to "spring" into the wall channels.

Note: Inject silicone sealant into the holes before inserting the screws to seal the holes.

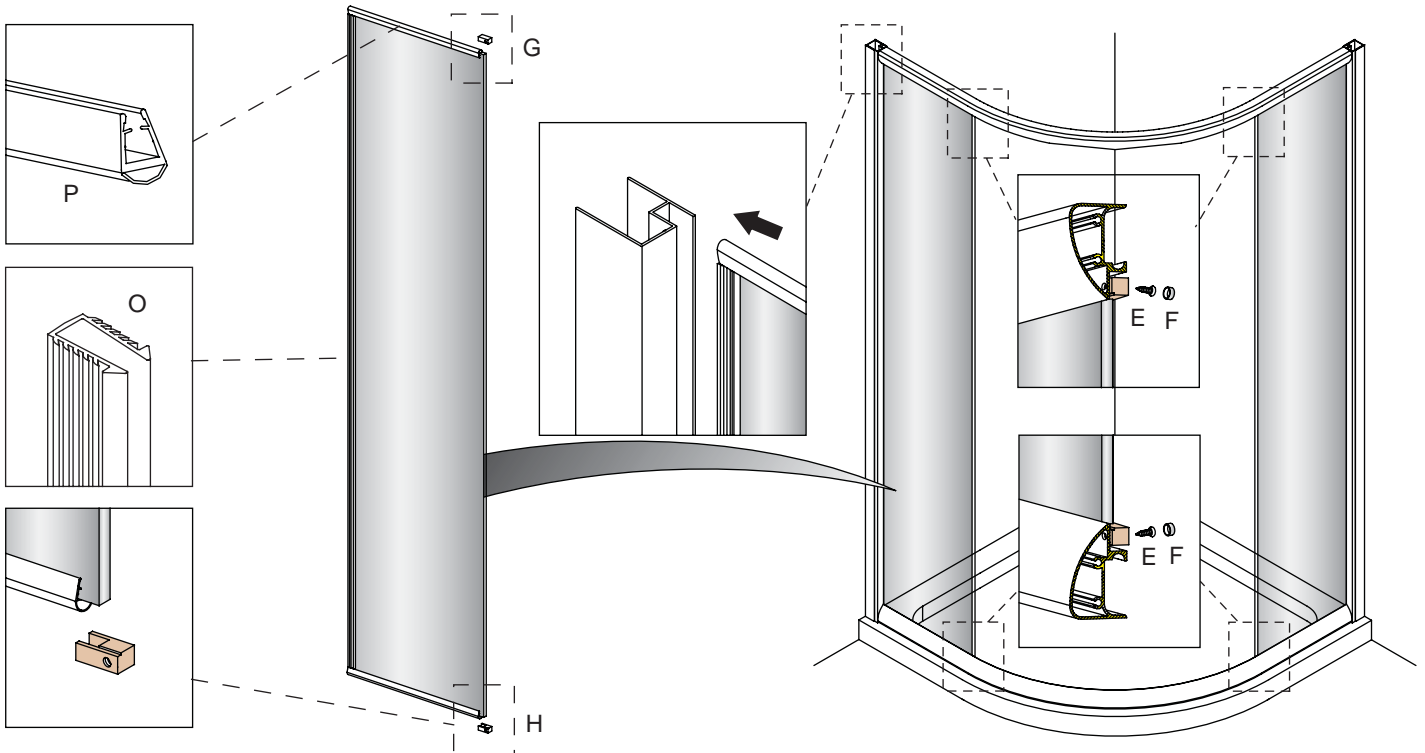


Step 3 - FITTING GLASS PANEL

Attach Seal Strips (P) to the top and bottom edge of the glass panel, cut the Seal Strip (O) to length so that it fits tightly in between the horizontal seal strips (P). After pushing the Seal Strip (O) to the side edge of the glass panel, fit the glass clamp (G), (H) to the two corners of the glass panel as per diagram below.

Slide this glass panel into the connection profile so that it sits squarely in the door frame.

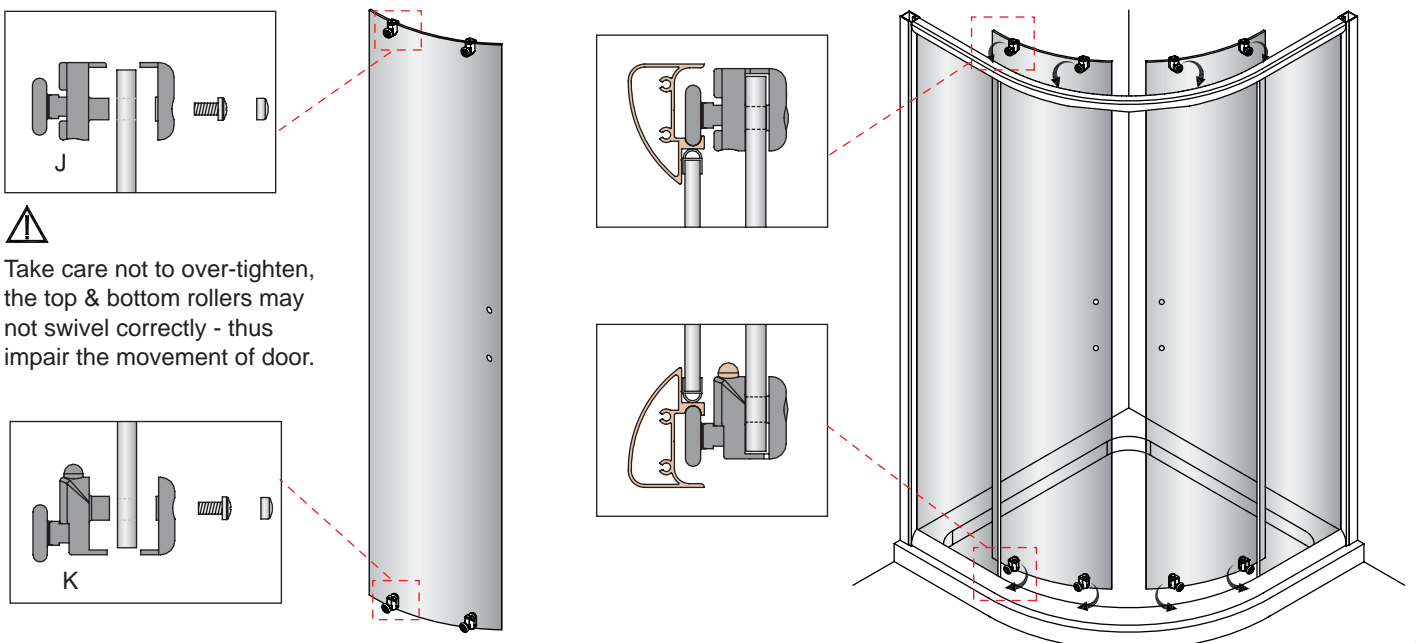
Screw the Glass Clamp to the door frame using supplied screws (E) and cover the screws with caps (F).



Step 4 - FITTING SLIDING DOOR

Fit the rollers (J), (K) to the curved doors (spring loaded rollers are to be located at the bottom).

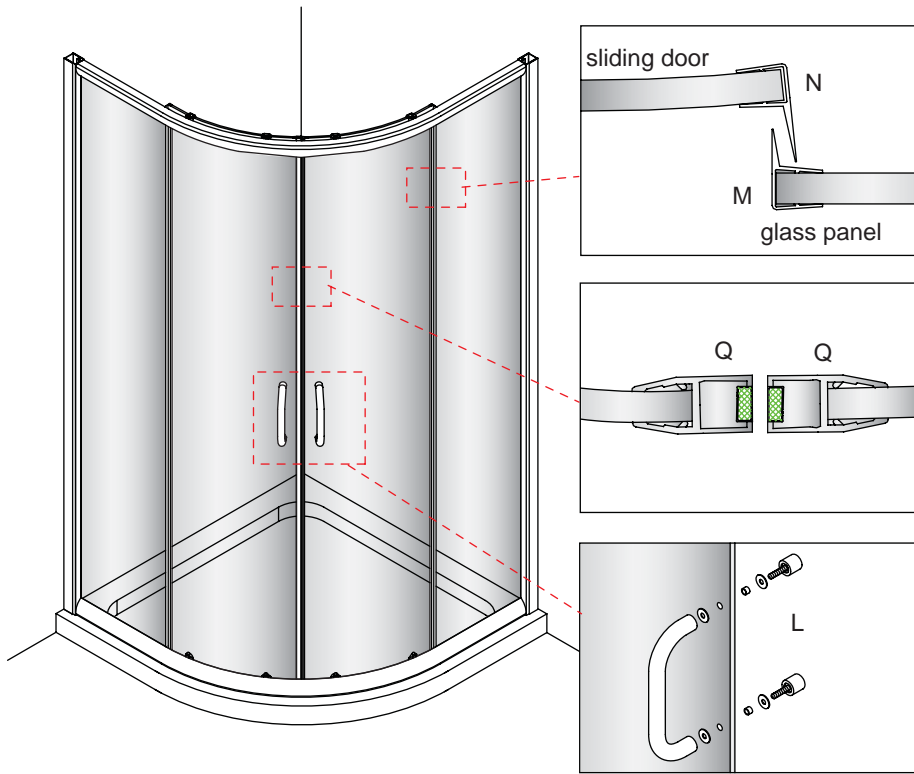
Hang the doors onto the top track, and push the spring loaded bottom on the bottom rollers and ease the rollers into the bottom track.



Step 5

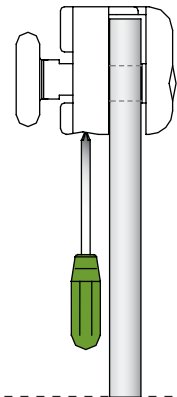
Push the Waterproof Strips (M) onto the glass panels, and the Waterproof Strips (N) onto the Sliding door. (As shown diagram below) Push the magnetic strips (Q) onto the Sliding doors so that when the doors are closed - the magnets meet.

Fix the handle to the sliding door, make sure that the plastic tube provided with handle is always put into the holes on the sliding door. Spread Lubrication (R) into top and bottom roller tracks.



If the sliding doors are skew, or the two sliding doors are not closed perfectly.

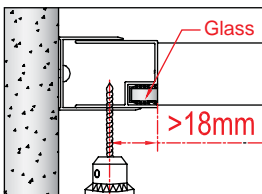
Adjust the bottom screw of the top roller to solve the problems above. (Diagram below for the details)



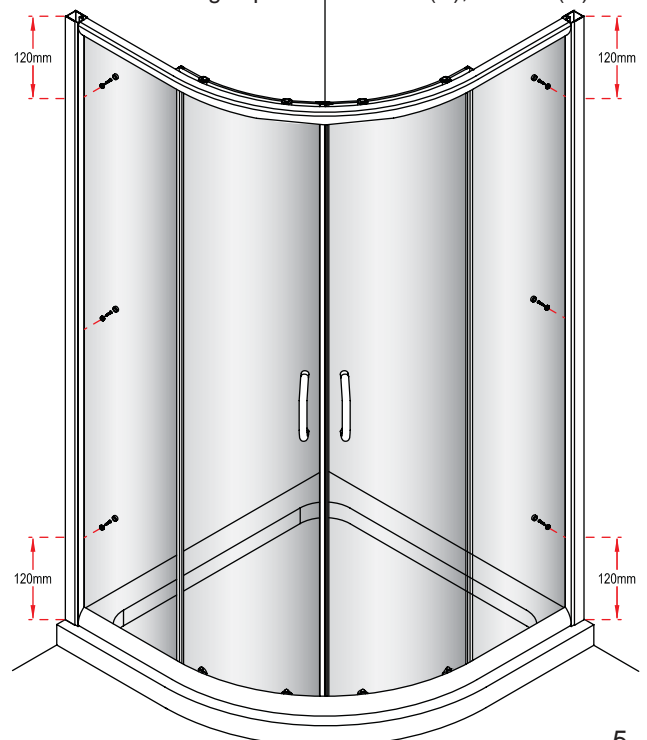
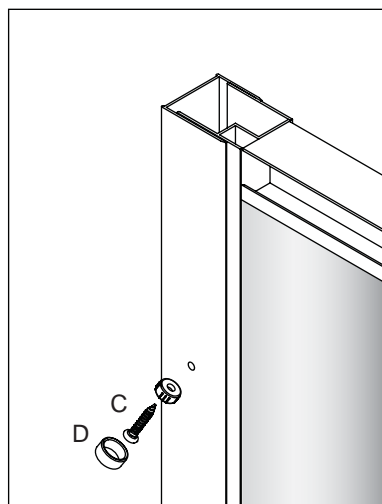
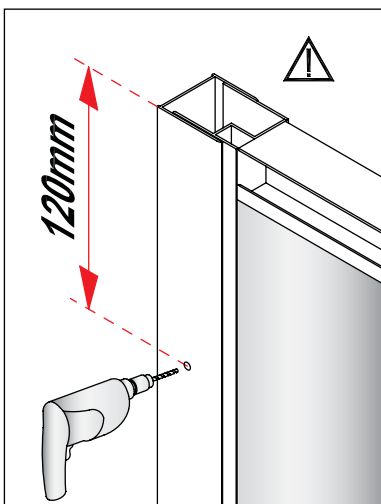
Step 6

Once you have checked that the door opens and closes correctly fix the door frame to the wall channels.

From inside, drill 3 holes through each wall channel/door frame using a 3.0mm drill bit. Fix using caps and washers (D), screws (C).

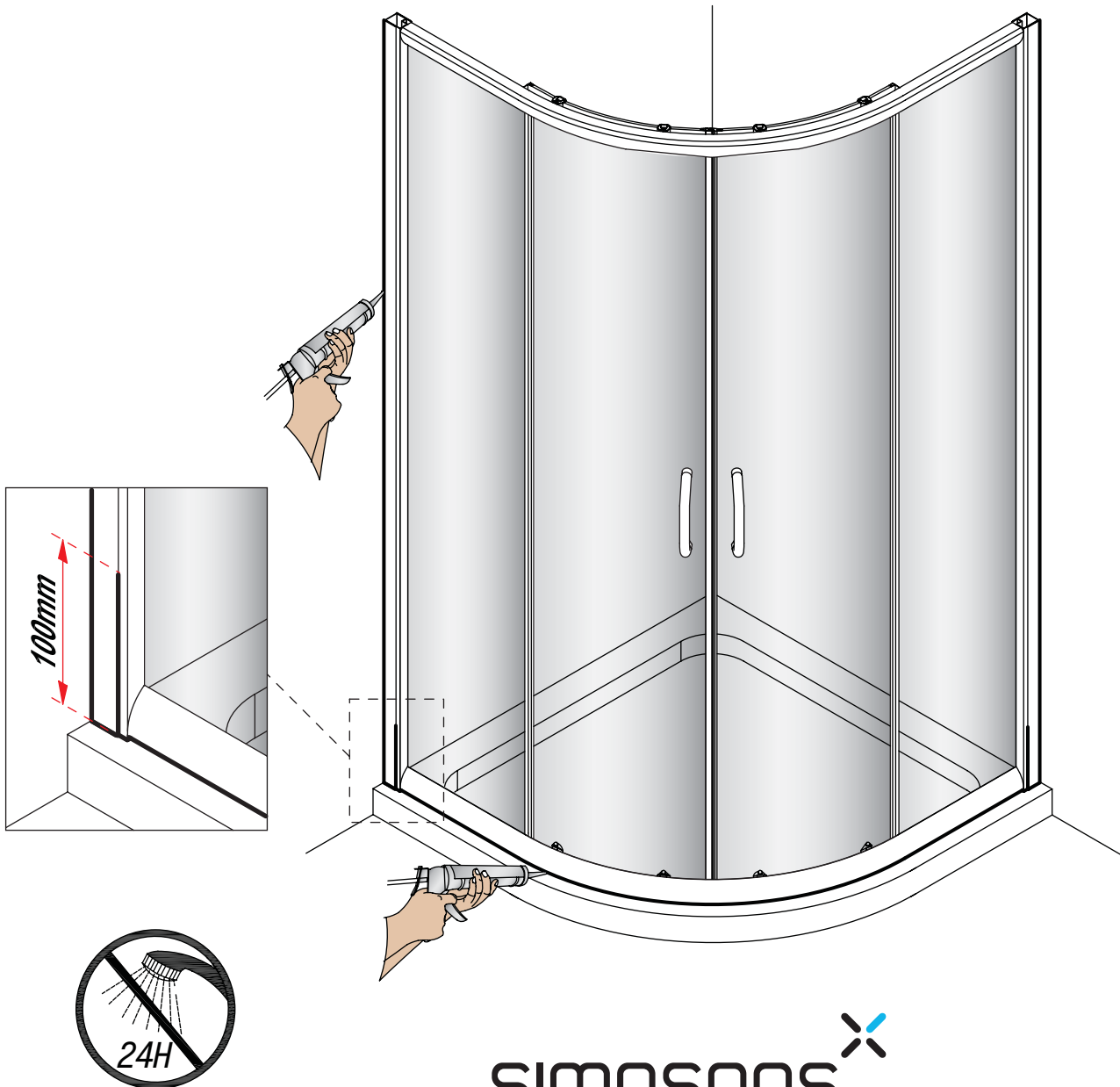


Please follow the left diagram for drilling, so as not to drill into the glass.



Step 7

Sealing outside: Run a line of silicone sealant from top to bottom down the joint between the wall channels and tiles.
Run a line of silicone sealant 100mm up the joint where the door slots into the wall channel.
Run a line of silicone sealant along the base in the joint between the bottom of the enclosure and the tray outside only.



simpsons 

For any further information please contact
Simpsons on: 0845 873 5808

Or visit our web-site at
www.simpsons-enclosures.co.uk

The manufacturer reserves the right to make technical
modifications without prior notice.