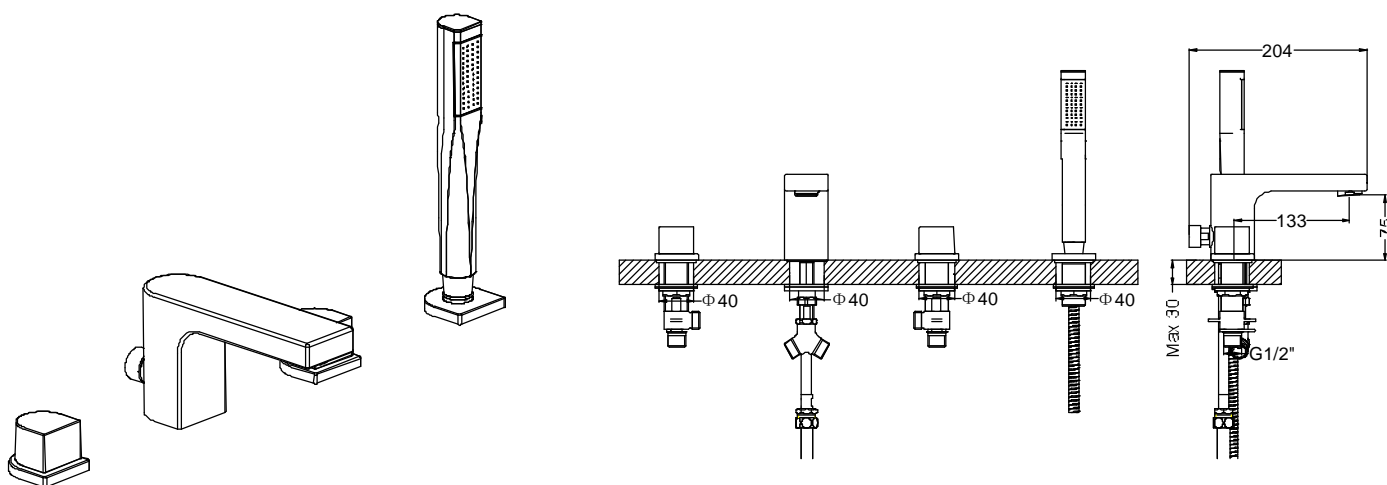


Specification Sheet

Bath Shower Mixer 4hole with kit



Product Specification

Product Code:	MBPS440D
Finish:	Chrome plated
Construction:	Bodies of tap are solid brass castings and the handles are zinc cast
Valve Type:	Quarter turn ceramic disc headwork
Supply:	suitable for high pressure system
Inlet Connection:	G1/2" male tail
Water Pressure:	Range from a minimum pressure of 2bar to a maximum pressure of 5bar
Net Weight:	3.72Kg

Technical Advice: For further information, please email technical@adora-bathrooms.co.uk or visit www.adora-bathrooms.co.uk

Guarantee: The product carries a 5 year manufacturer's guarantee, **excluding** the ceramic disc headwork- it is covered by a 12 month guarantee

Flow Rates(litres per minute)

System pressure	2bar	3bar	4bar	5bar
MBPS440D	25.2	36.1	40	43.6

For any information please email

Or visit our web-site at www.adora-bathrooms.co.uk
We reserve the right to make technical modifications without prior notice