

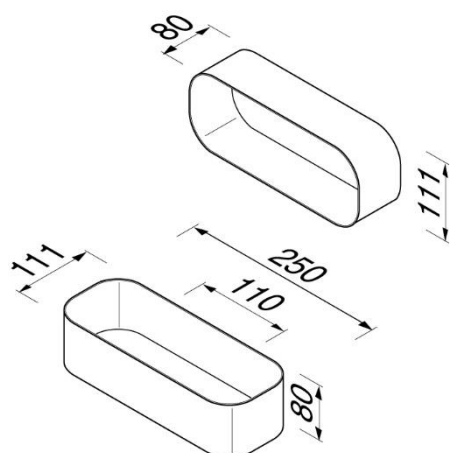
## Frame Collection

918901-06

Multibasket/Shelf, black



- Material: High quality plastic
- Black textured surface outside and high gloss surface with draining slot inside
- Removable
- The same product can be used as a shelf or as a basket
- Concealed fixing
- Incl. mounting set



111x250x80 mm

Quality has proven to be of decisive importance, which is why we can offer a 12-year warranty period for our chrome products. The entire selection is developed in Amersfoort. Geesa is certified according to the ISO 9001-2008 standard for design, productions and the delivery of bathroom accessories. Geesa reserve the right to change product specification.

03/2019