



Standard collection

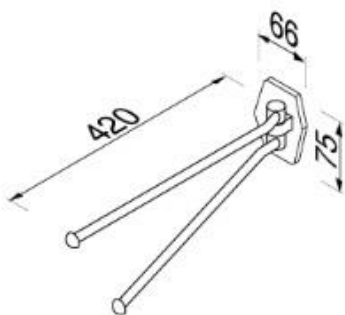
915123

Two arm towel rail tube



Two arm towel rail tube

- Material: chrome plated brass
- Concealed fixing
- Guarantee: 12 years



- 420x66x75 mm

Quality has proven to be of decisive importance in recent years, which is why we can offer a 12-year warranty period for our chrome products. The entire selection is developed in Amersfoort. Geesa is certified according to the ISO 9001-2008 standard for design, productions and the delivery of bathroom accessories. 10/2015