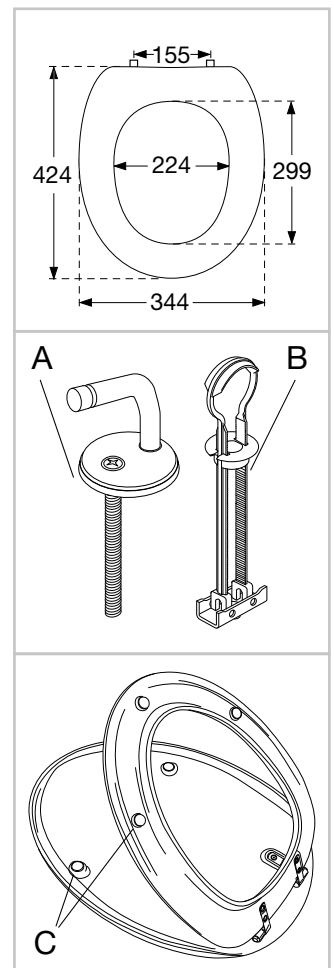




Toilet seat Amadea

Model	8810 61 Amadea toilet seat, incl. 8810 01 61 toggle hinge
Product Description	<p>Amadea toilet seat in Wrap Over design made of colour ingrained duroplast with hinges in stainless steel and plastic</p> <ul style="list-style-type: none"> - incl. toggle hinge in stainless steel - centre distance 155 mm - load of ring seat: 240 kg - 10 year guarantee
Colour Programme	<p>01 White (Alpin) 09 Pergamon R2 Star White (ActiveCare) S3 Edelweiß</p>
Hinge Finish	<p>61 Stainless steel 66 Chrome</p>
Spare Parts	<p>A) 8810 01 61 Toggle hinge B) 9218 96 00 Spare part for toggle hinge C) 9220 95 00 Buffer for seat and cover</p>
Additional Information	For further information such as mounting instruction or video mounting documentation please go to the previous page and press downloads



Toilet seat Amadea

Material Description

TOILET SEAT:

The material is colour ingrained duroplast (UF A 10 = urea formaldehyde) that contains no environmentally hazardous substances. The body consists of approx. 50% urea (NH₂CONH₂), approx. 25% cellulose and approx. 25% formaldehyde (HCHO), as well as small amounts of various fillers and additives

BUFFERS:

EVA (copolymer made of ethylene and vinyl acetate)

MOUNT/HINGES:

Stainless steel

Cleaning Instructions

Use a mild soap solution. Seat and hinges should not be left damp, but be dried with a soft cloth. When using abrasive, corrosive or chlorine based cleaners for the bowl, avoid contact with seat and hinges as it may lead to damages or flash rust. Therefore, when cleaning the bowl, make sure that seat and cover are in an upright position until all the cleaner has been flushed away

Guarantee

The guarantee includes faults or defects in the material of our products within a periode of 10 years. Products subject to minor technical modifications and design deviations E. & O.E.

