

PRODUCT DATA SHEET



PRODUCT CODE
PROMOD1701TRIMC

RANGE
MODULE

DESCRIPTION
Module 2 Control Trimset Chrome With Handshower

COLOUR Chrome

MATERIAL Brass

FINISH Electroplating

INSTALLATION TYPE Wall Mounted

WEIGHT 1.9kg

STANDARDS EN 1111:2008

WARRANTY 15 Years

MIN. PRESSURE 1 Bar

MAX. PRESSURE 5 Bar

MOD1701R - 2 OUTLET

| PRESSURE (BAR) | | FLOWRATE | | |
|----------------|-----|----------|--------------------|----------|
| | | EXIT 1 | EXIT 2 HAND SHOWER | EXIT 1+2 |
| MID | 0.5 | 9.2 | 4.2 | 9.3 |
| | 1 | 13 | 6 | 13.4 |
| | 2 | 18.7 | 8.5 | 19 |
| HIGH | 3 | 23 | 10.7 | 23.5 |
| | 4 | 26.5 | 12.3 | 27 |
| | 5 | 29.5 | 13.8 | 30.3 |

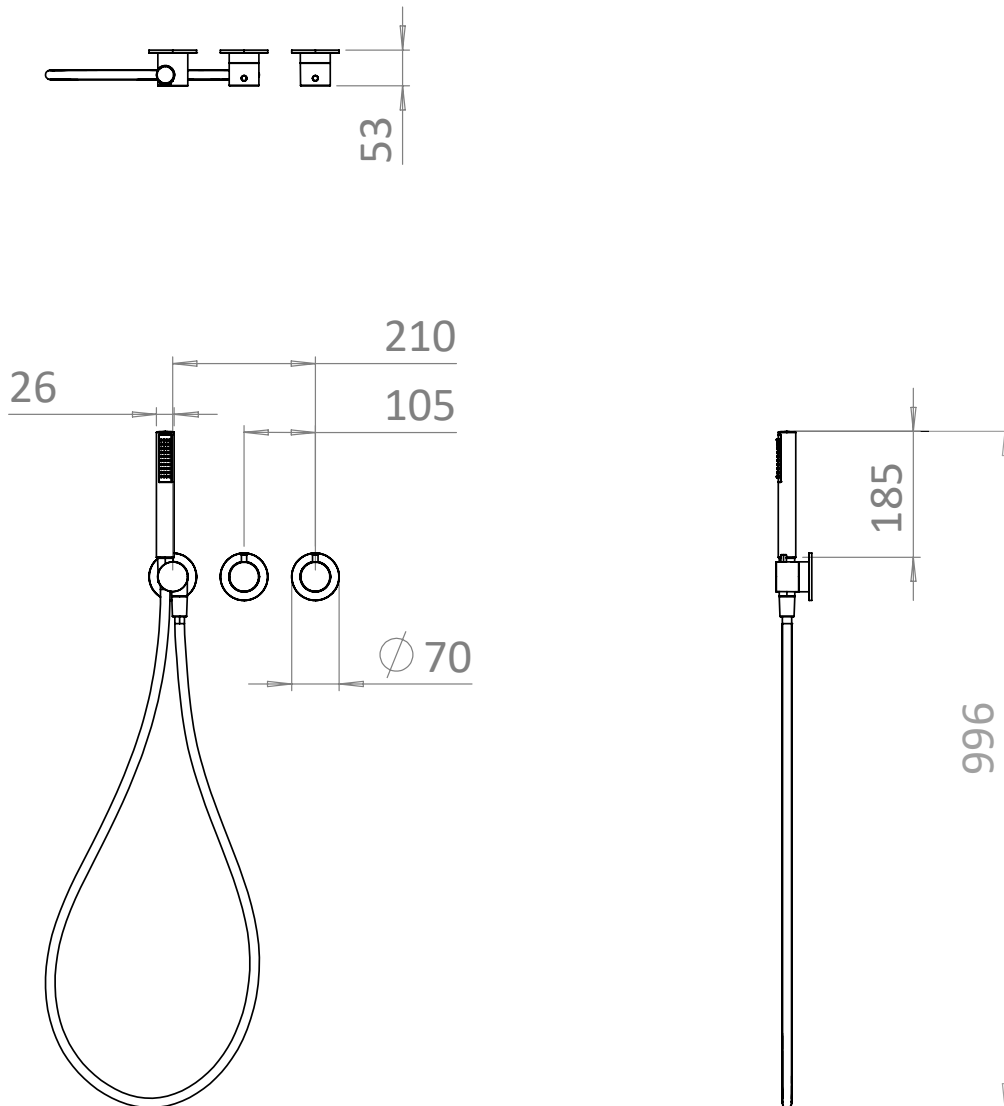
MOD3701R - 3 OUTLET

| PRESSURE (BAR) | | FLOWRATE | | |
|----------------|-----|----------|--------------------|--------|
| | | EXIT 1 | EXIT 2 HAND SHOWER | EXIT 3 |
| MID | 0.5 | 10 | 4.1 | 9.7 |
| | 1 | 13.7 | 6 | 13.4 |
| | 2 | 19.5 | 8.5 | 19 |
| HIGH | 3 | 23.8 | 10.6 | 23.3 |
| | 4 | 27.5 | 12.3 | 26.8 |
| | 5 | 30.5 | 13.8 | 29.8 |

TECHNICAL DIMENSIONS

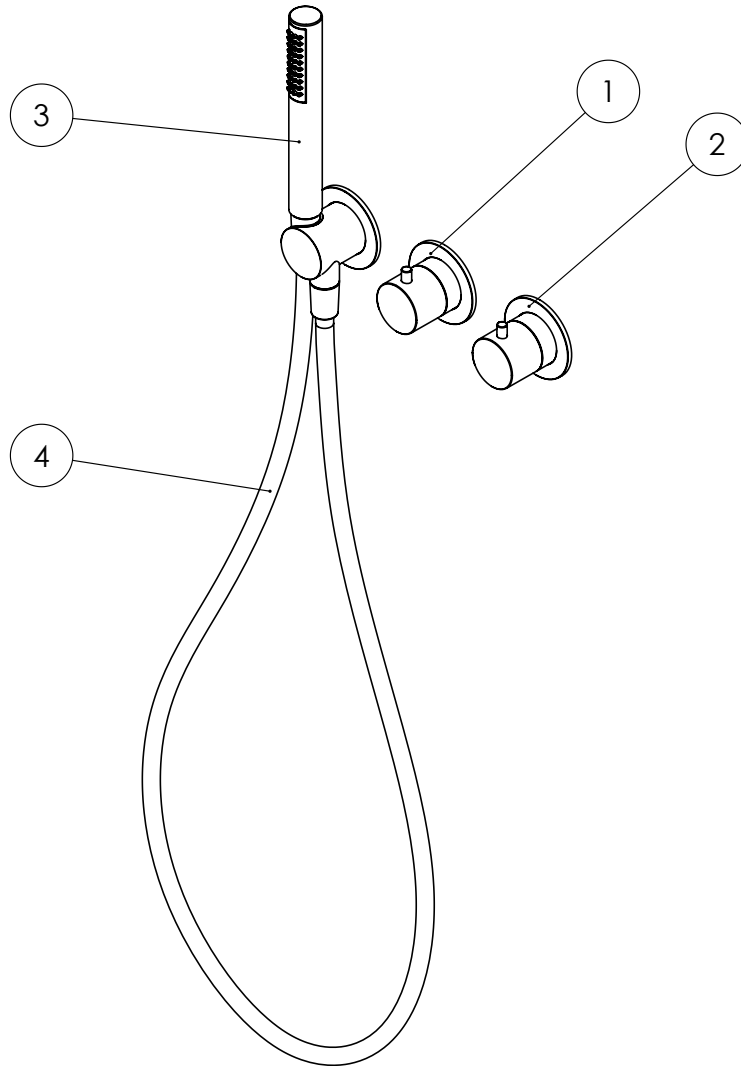
Dimensions in mm unless otherwise specified.

Tolerances (per material type) apply.



V10622

SPARES DIAGRAM



| NUMBER | PART CODE | DESCRIPTION |
|--------|-----------------|--|
| 1 | E005058.021HESC | Mod Handle, Collar and Plate for Diverter Chrome |
| 2 | E005056.021HESC | Mod Handle, Collar and Plate for Thermostat Chrome |
| 3 | E082019.00200SC | Module Bath Spout Chrome |
| 4 | C084021.00001SA | Module Shower Hose Chrome |

Only the parts labelled are available as spares.

V10622