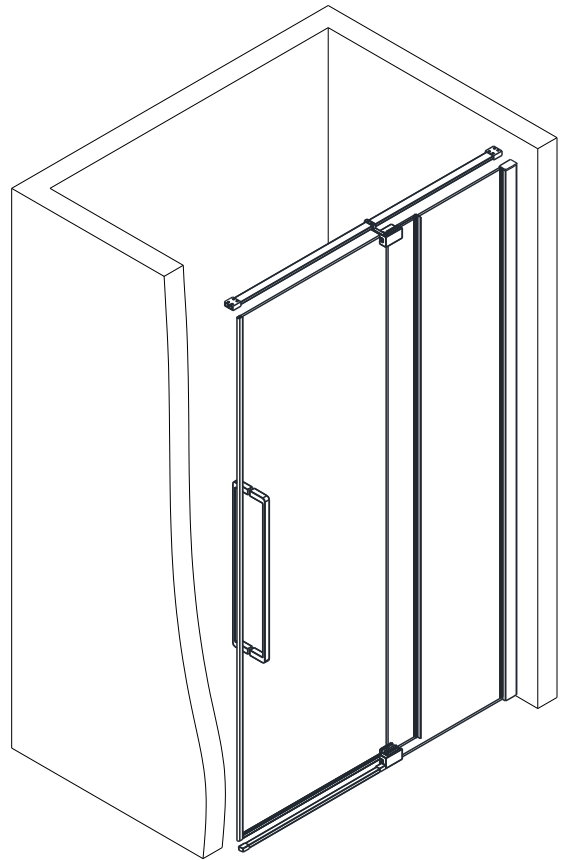
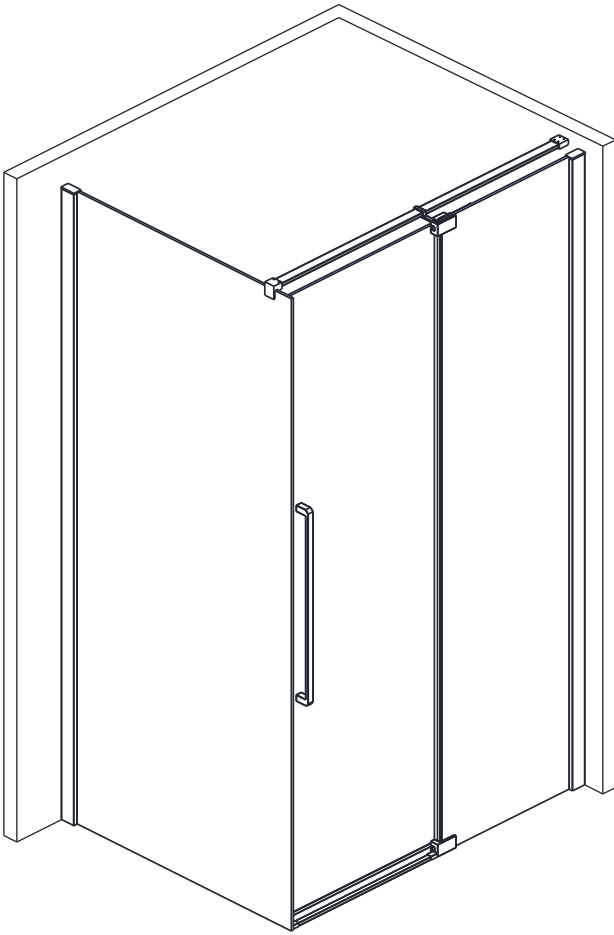


INSTALLATION INSTRUCTIONS

R-GS-SQ-P-XX+R-MS-SQ-P-XX

R-GS-SQ-LC-XX+R-MS-SQ-LC-XX



◆ General Information

Please inspect the product immediately upon receipt for transit damage, missing packs/parts or manufacturing fault. Damage reported later cannot be accepted. Please handle the product with care avoiding knocks and shock loading to all sides and edges of the glass.

Notes: Safety glass can not be re-worked.

Please read these instructions carefully before start of installation.

Special care should be taken when drilling walls to avoid hidden pipes or electrical cables.

Note: This product is heavy and may require two people to install.

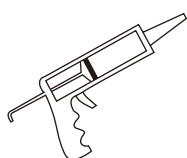
Aftercare instructions

After use, your shower should be cleaned with soap and water. This is particularly important in hard water districts where insoluble lime salts may be deposited and allowed to build up. Cleaners of a gritty or abrasive nature should not be used. Care should be taken to avoid contact with strong chemicals such as organic solvents and strippers.

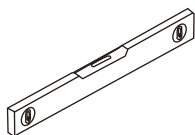
Glass cleaners can be used but with caution, if in doubt contact the manufacturer of the cleaner in question.

Please keep these instructions for aftercare and customer service details.

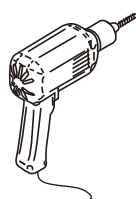
Tools Required



SILICONE



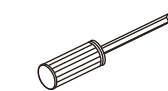
LEVEL



DRILL



Ø 6mm



SCREWDRIVERS



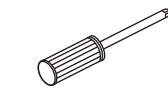
BLOCK



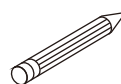
MALLET



Ø 3.2mm



SCREWDRIVERS



PENCIL



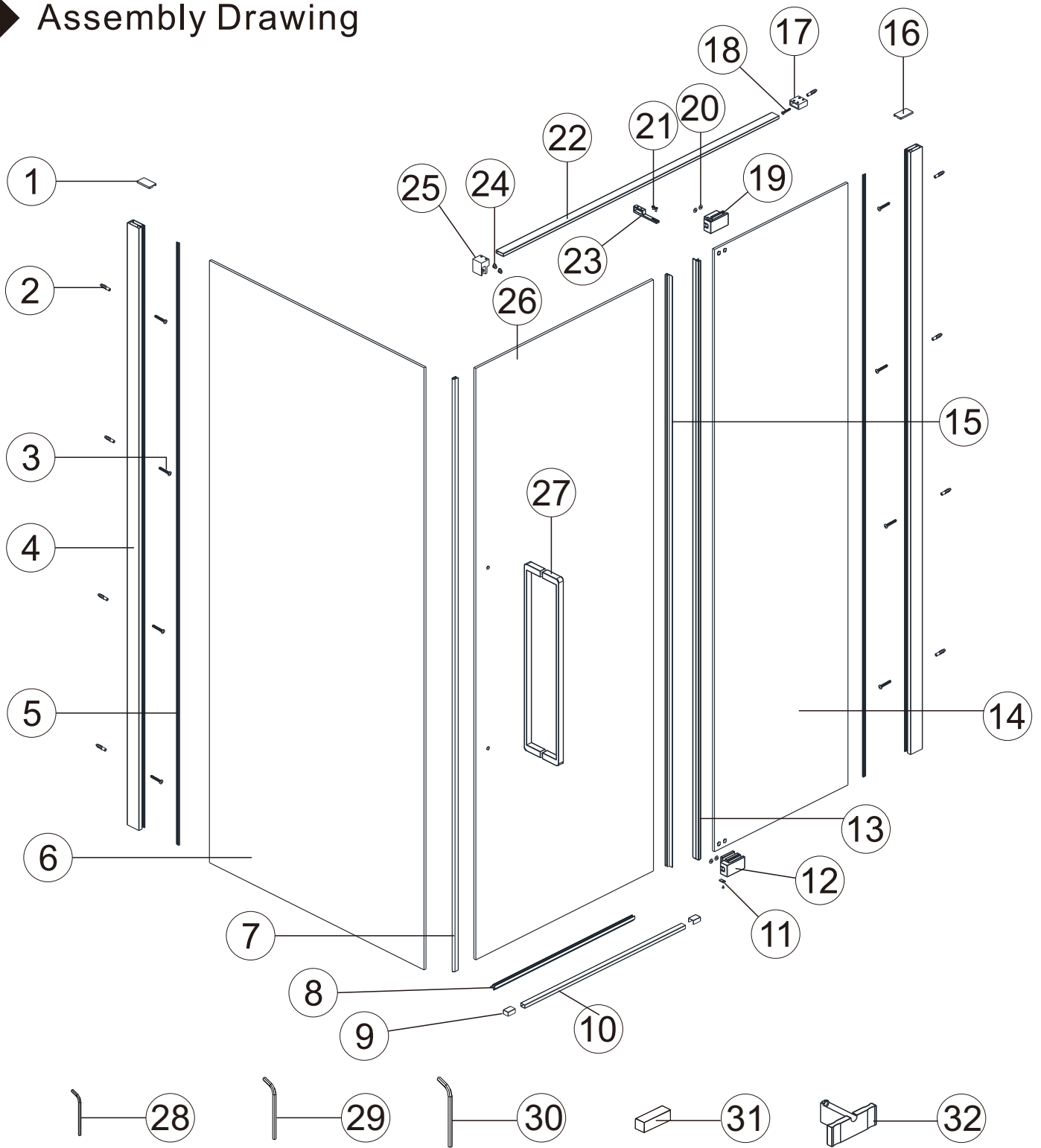
TAPE MEASURE



This product is heavy and may require two people to install.



Assembly Drawing



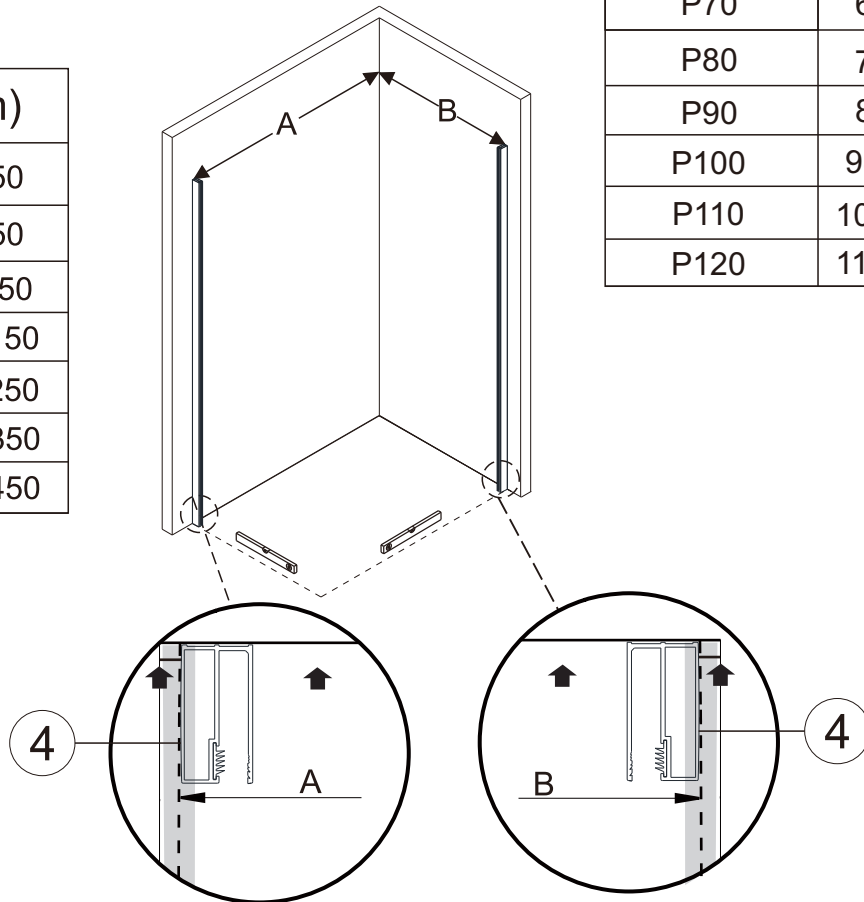
Code	Description	Q'TY	Code	Description	Q'TY	Code	Description	Q'TY
1	Cap for profile-L	1	13	Seal strip for side panel-1	1	25	Glass clamp	1
2	Wall Plugs	9	14	Fixed panel	1	26	Moving panel	1
3	ST4*30 screw	8	15	Seal strip for side panel-2	1	27	Handle	1
4	Wall profile	2	16	Cap for profile-R	1	28	M2.5 Wrench	1
5	Wedge gasket	2	17	Wall bracket holder	1	29	M4 Wrench	1
6	Side panel	1	18	ST4*40 screw	1	30	M5 Wrench	1
7	Seal strip	1	19	Hinge-R	1	31	Rubber washer	2
8	Bottom seal strip	1	20	Stopper	4	32	Pressing tool	1
9	Cover Caps	2	21	M4*10 screw	3			
10	Alu bottom strip	1	22	Wall bracket	1			
11	Washer	1	23	Wall bracket connector	1			
12	Hinge-L	1	24	Cover Caps	2			

Installation Steps

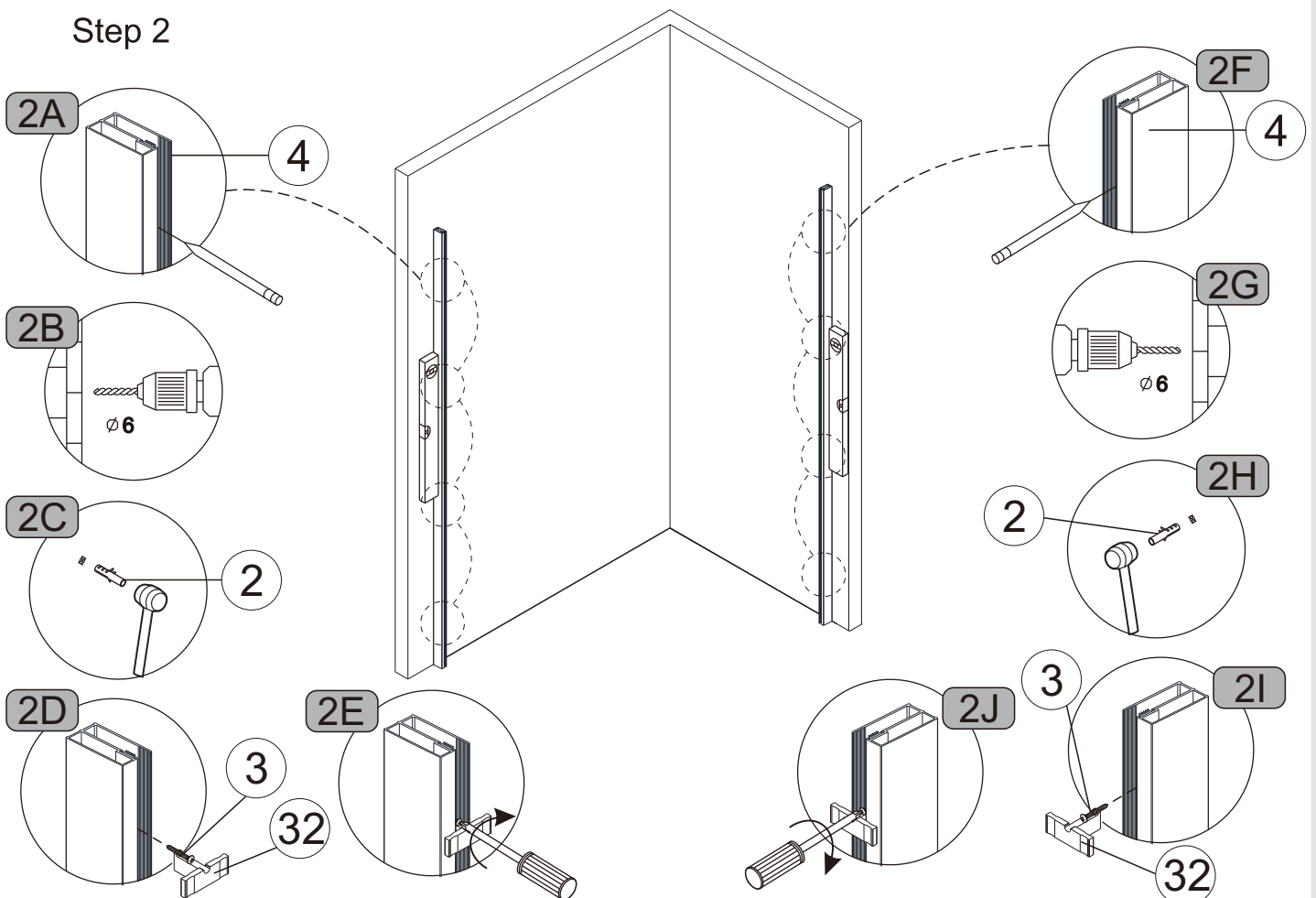
Step 1

Model	A(mm)
C80	750-850
C90	850-950
C100	950-1050
C110	1050-1150
C120	1150-1250
C130	1250-1350
C140	1350-1450

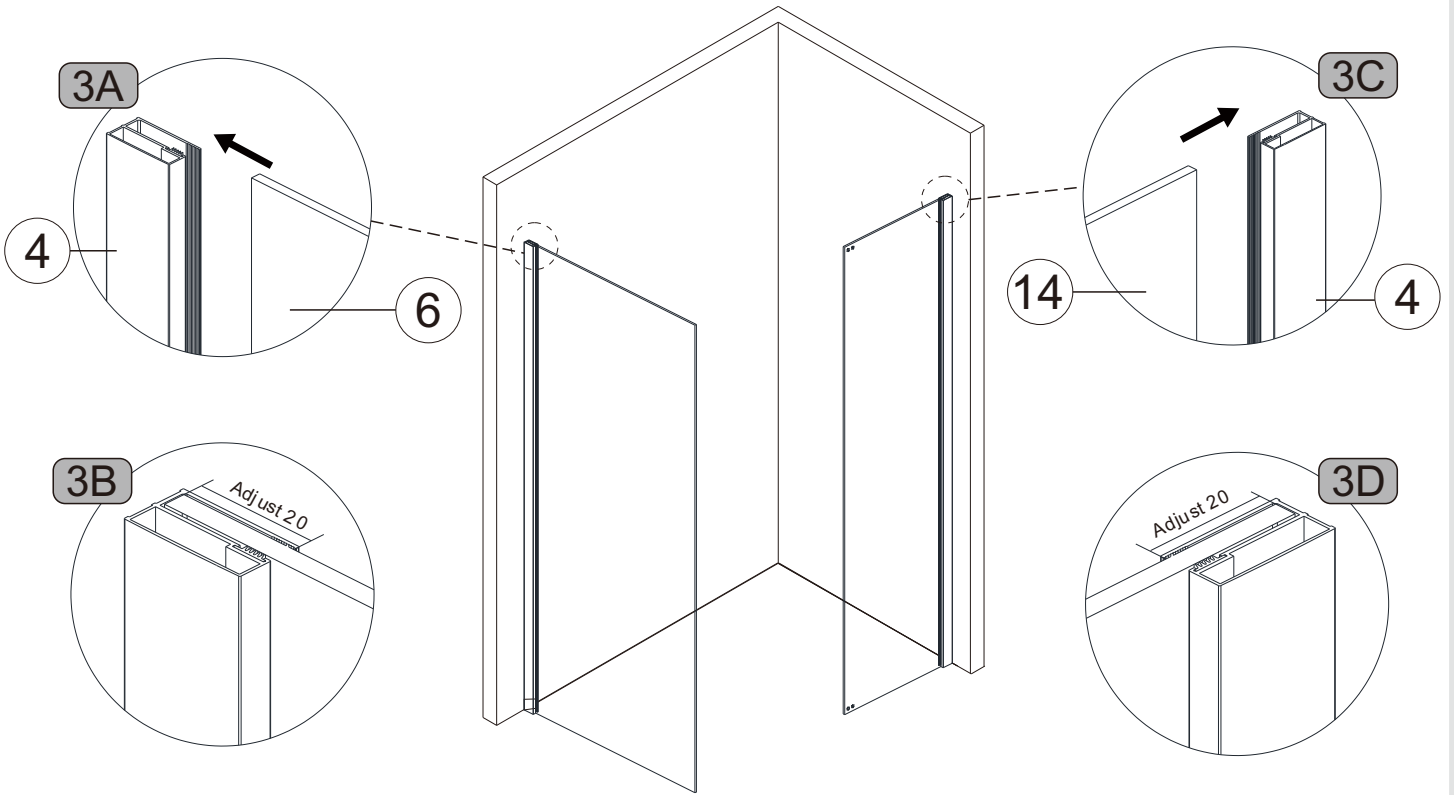
Model	B(mm)
P70	680-700
P80	780-800
P90	880-900
P100	980-1000
P110	1080-1100
P120	1180-1200



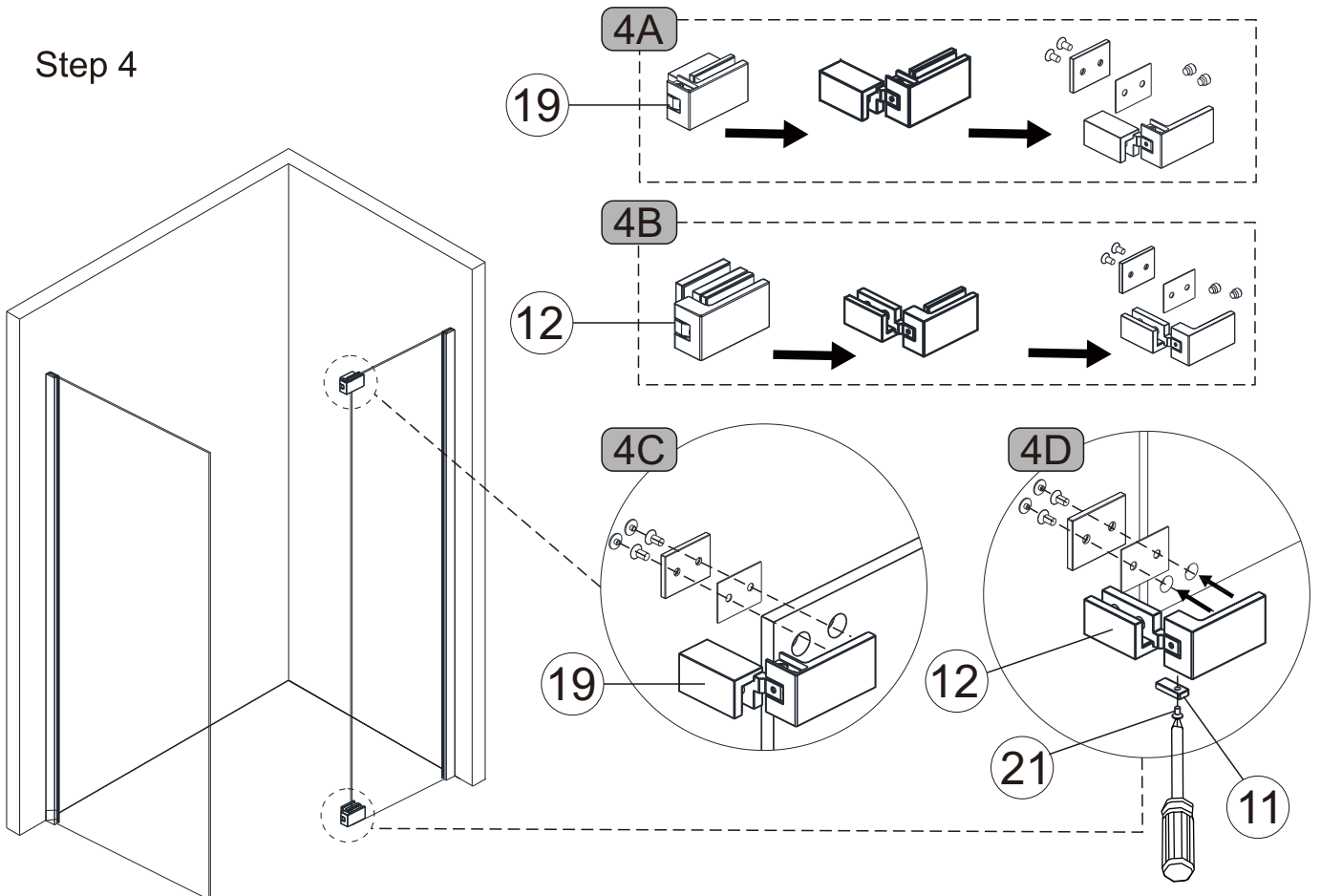
Step 2



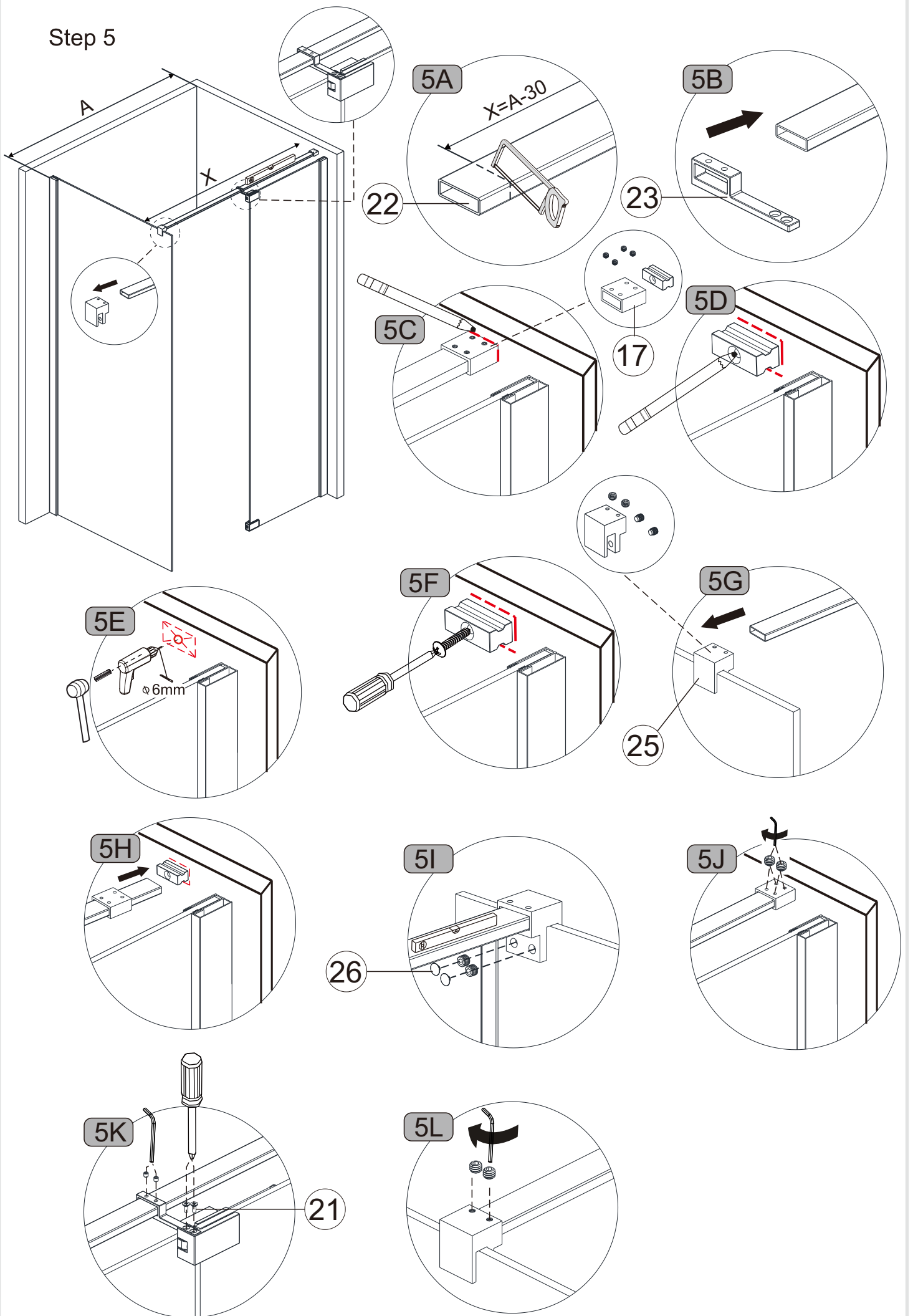
Step 3



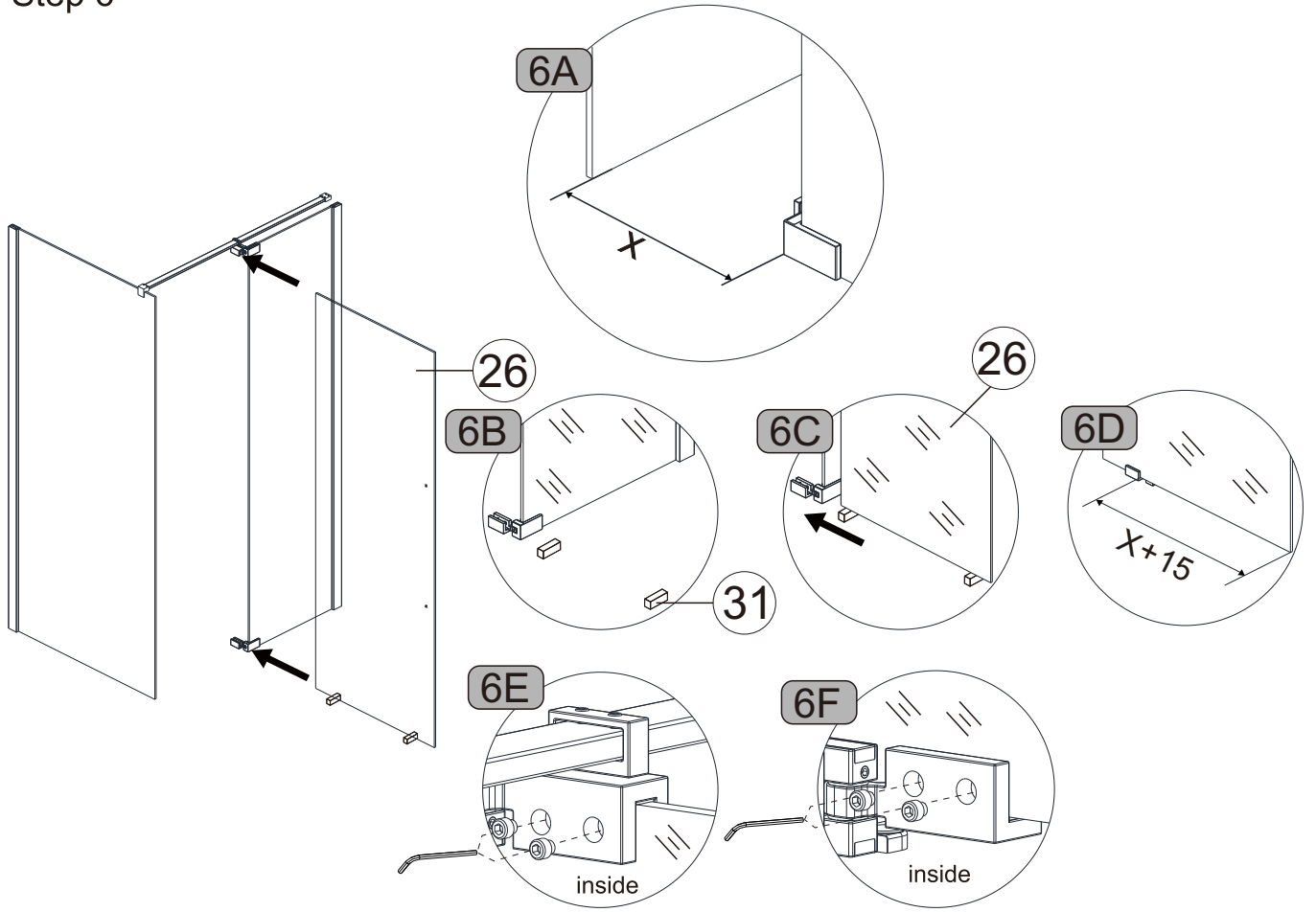
Step 4



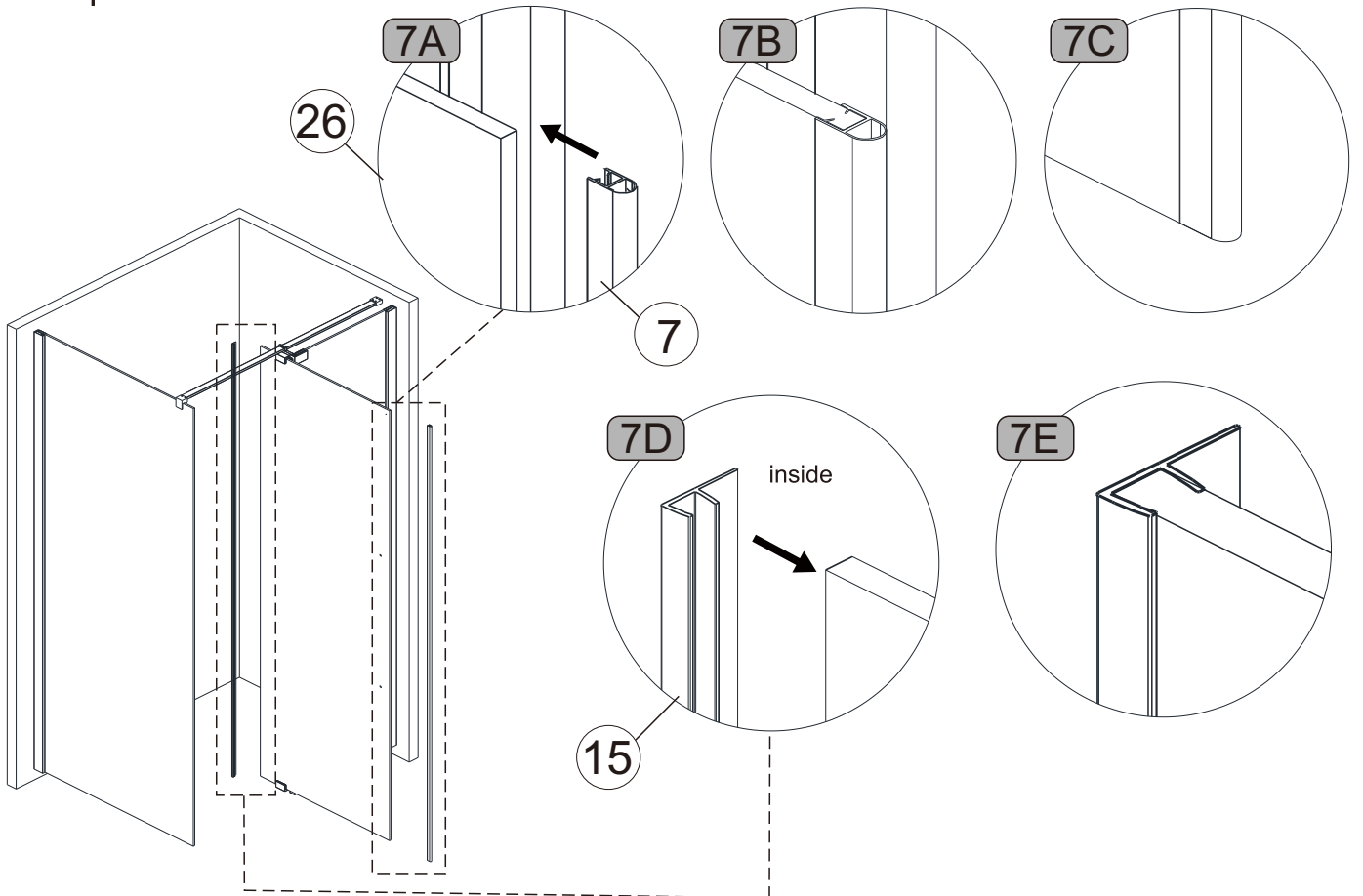
Step 5



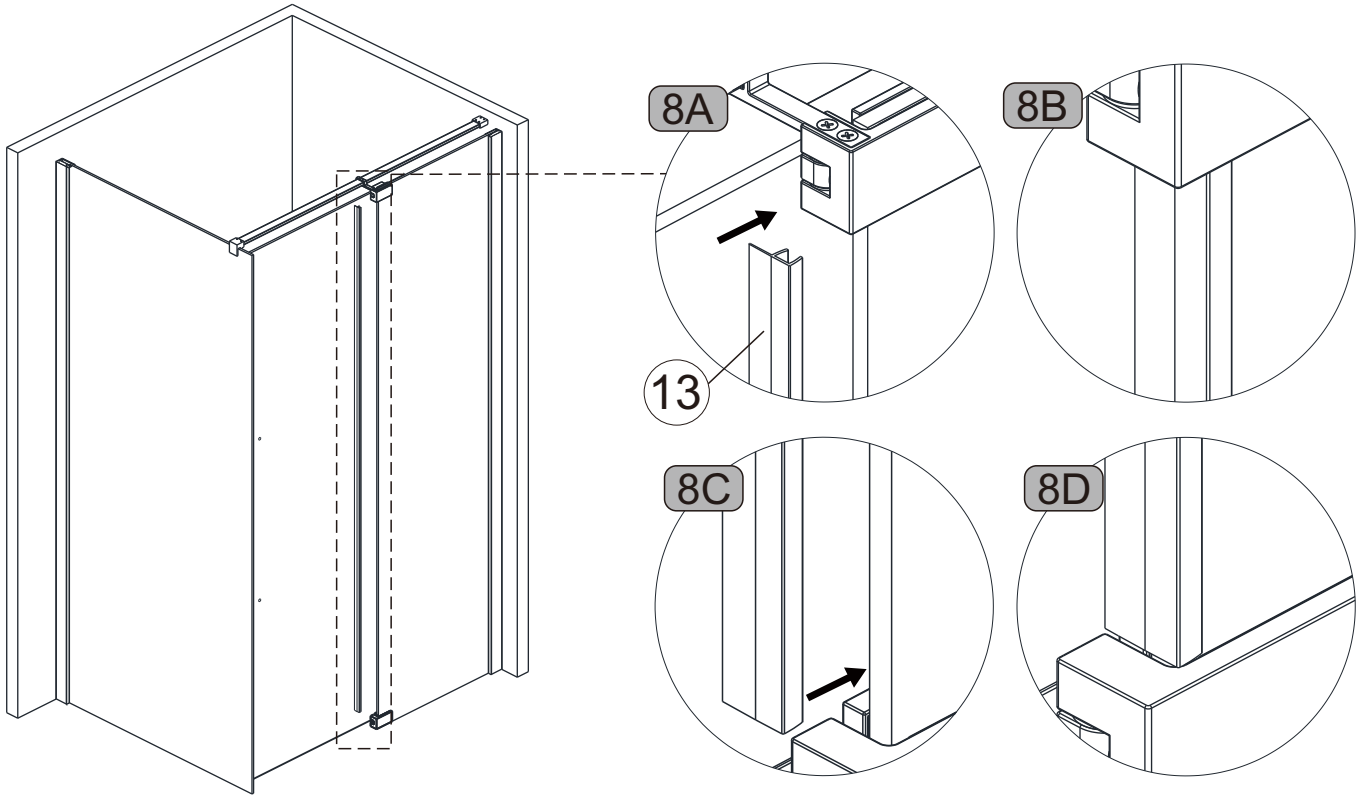
Step 6



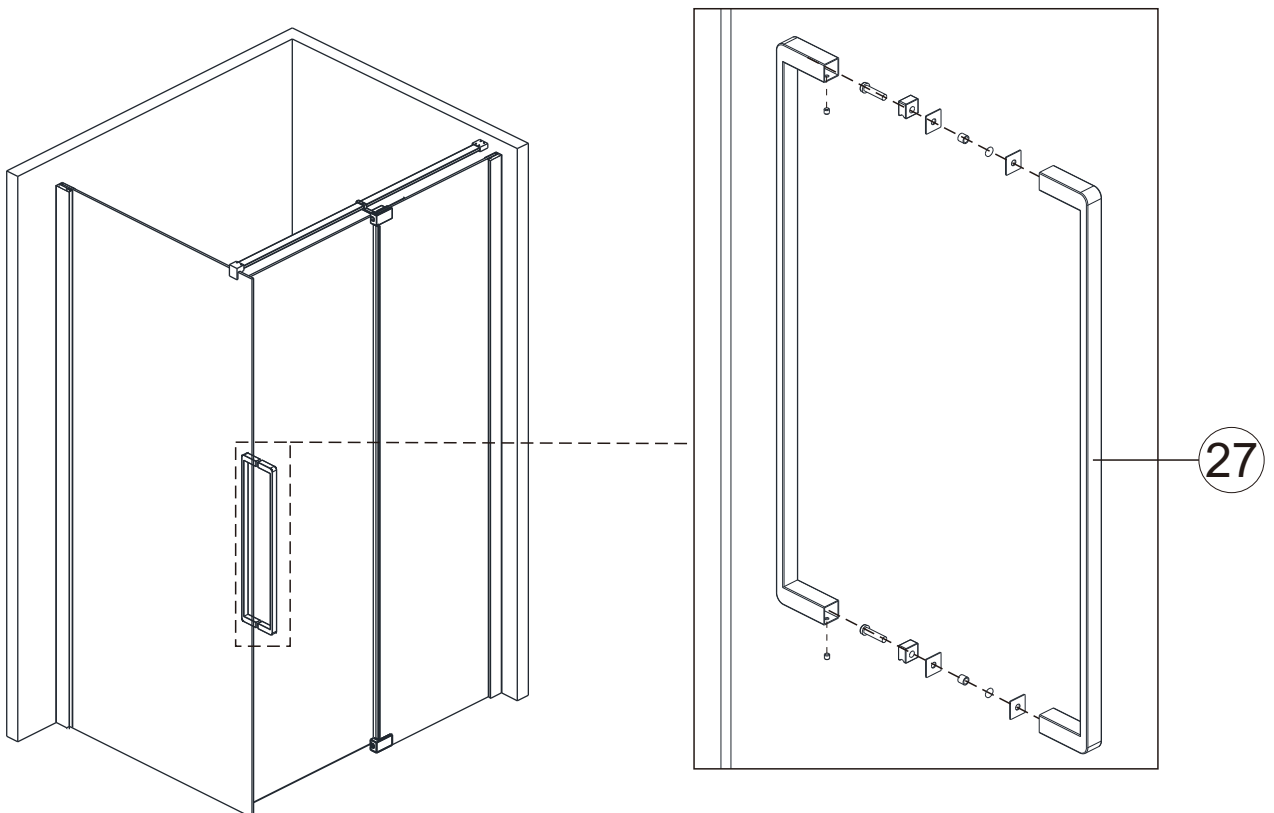
Step 7



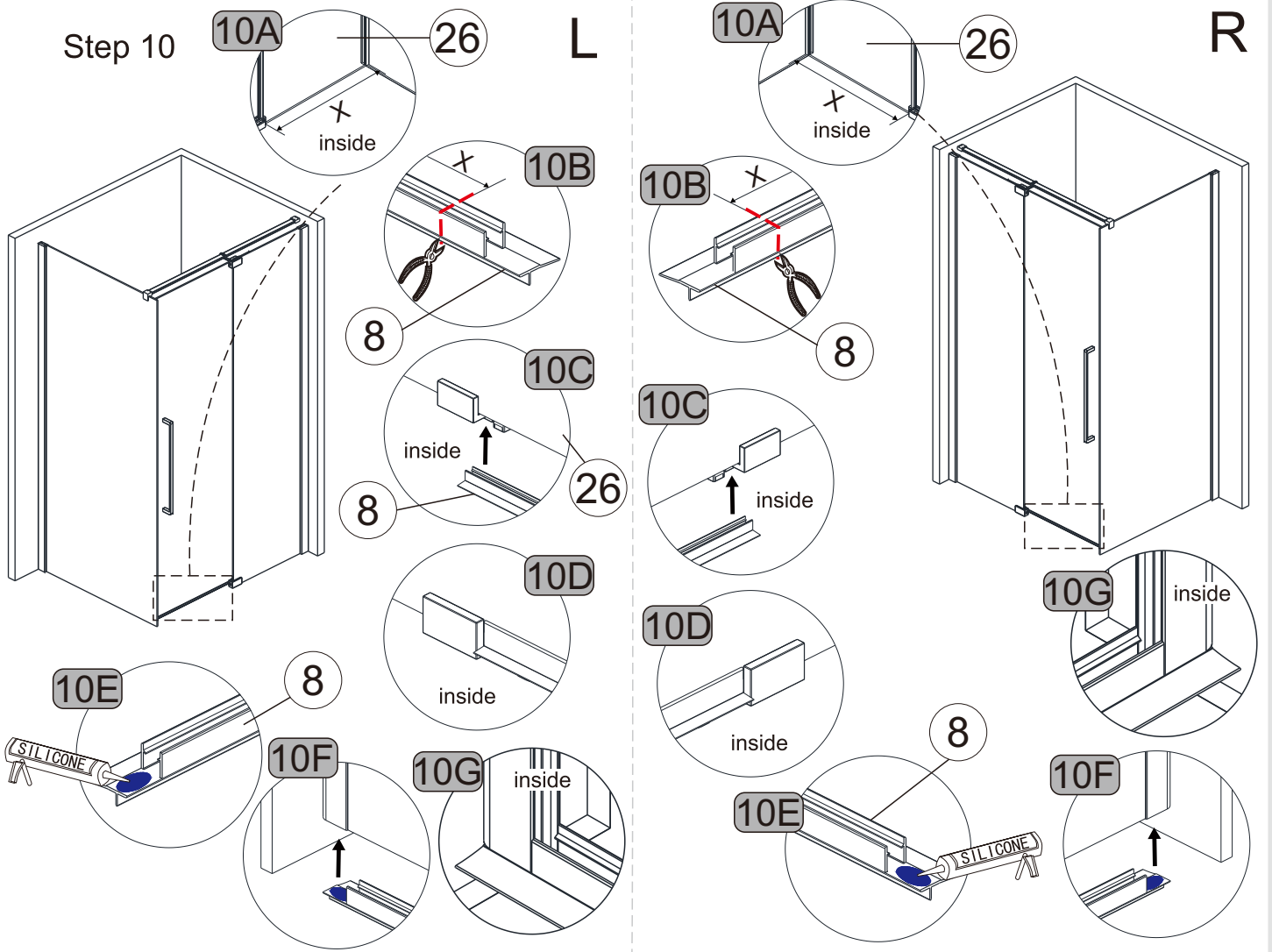
Step 8



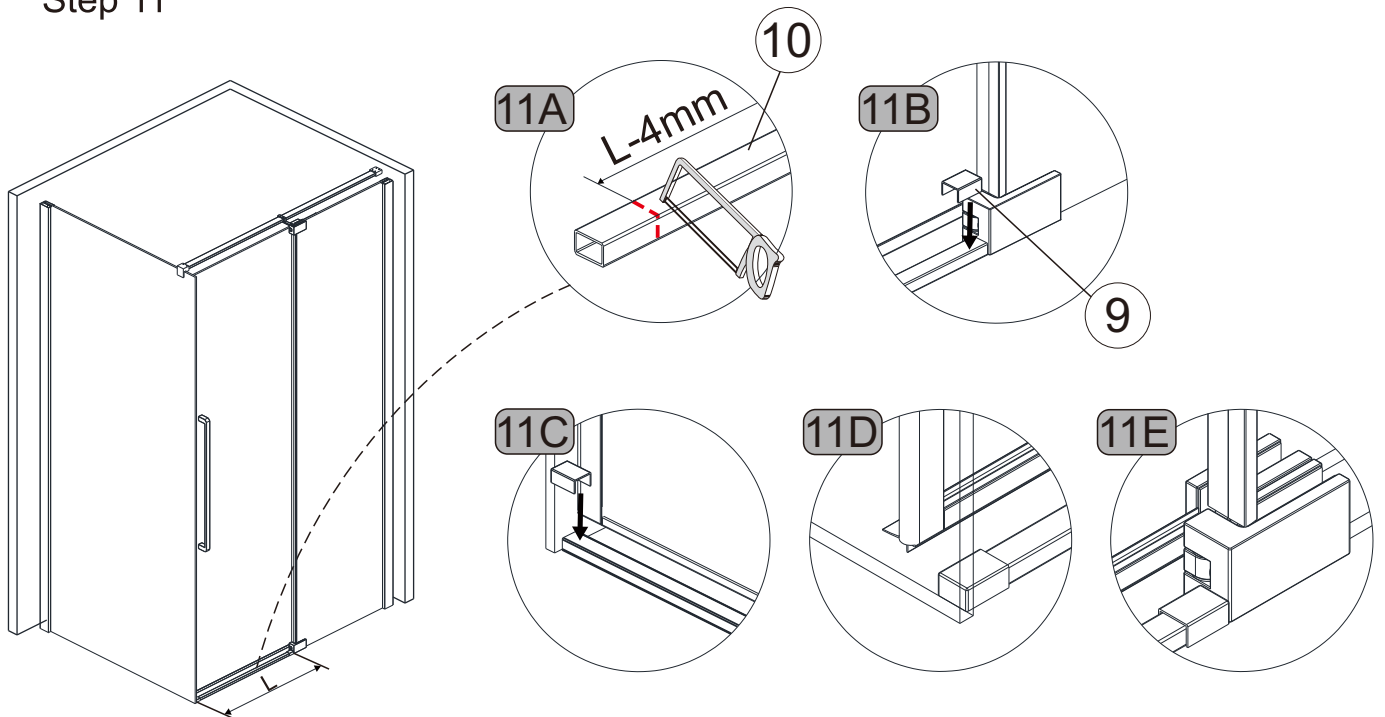
Step 9



Step 10

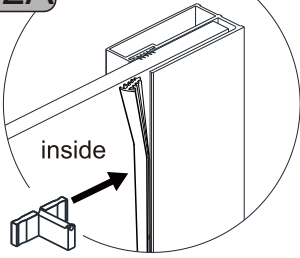


Step 11

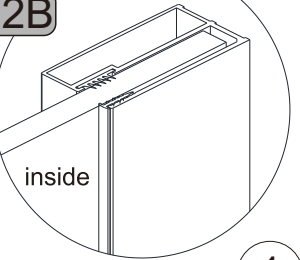


Step 12

12A

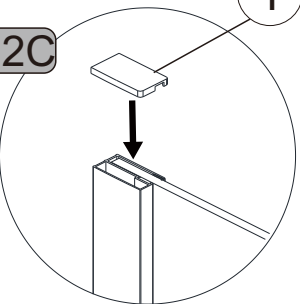


12B

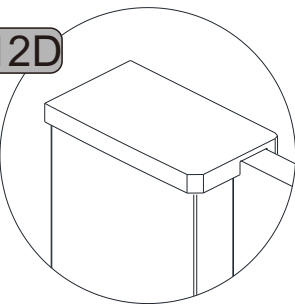


1

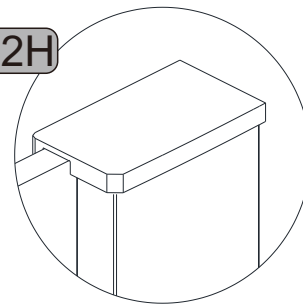
12C



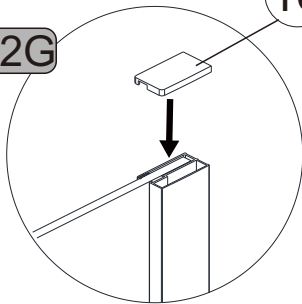
12D



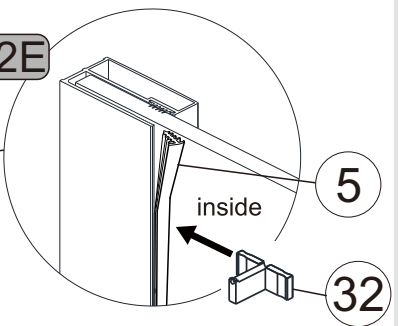
12H



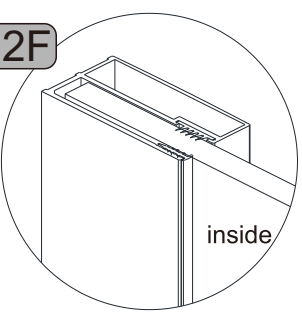
12G



12E



12F

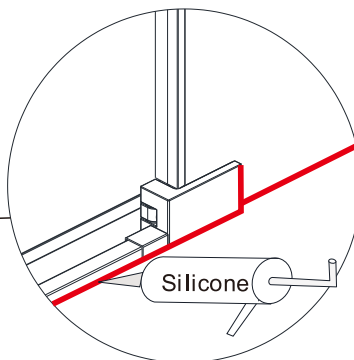
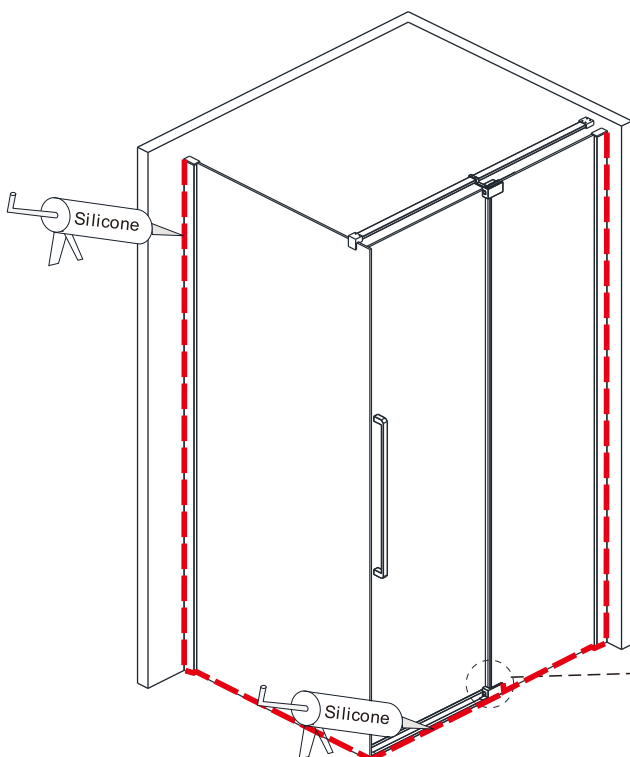


Step 13

Apply glass glue on the outer contact surface between the wall and the profile, the outer contact surface between the bottom basin and the profile and related connectors for waterproof treatment.

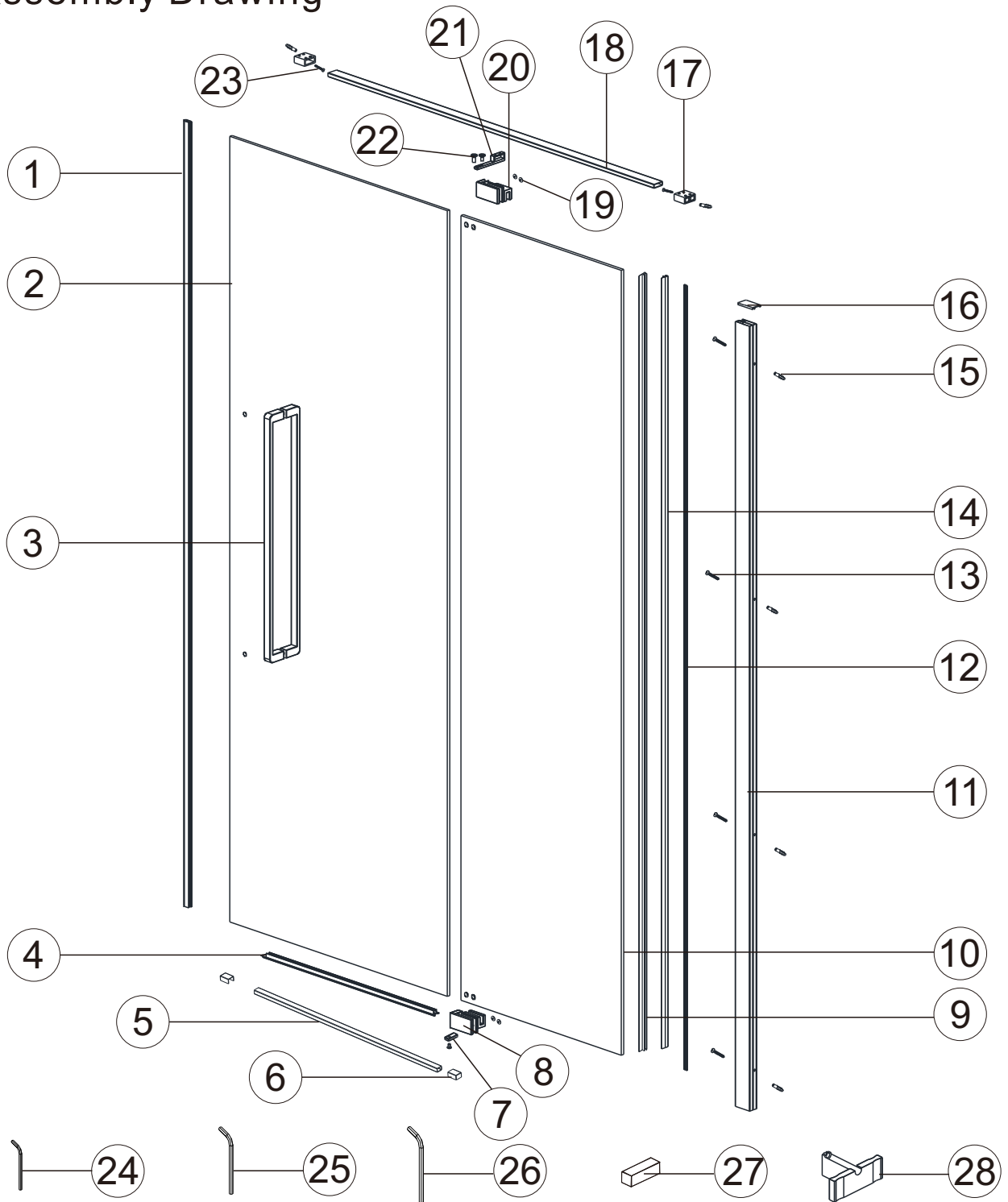


Silicone



Silicone

◆ Assembly Drawing

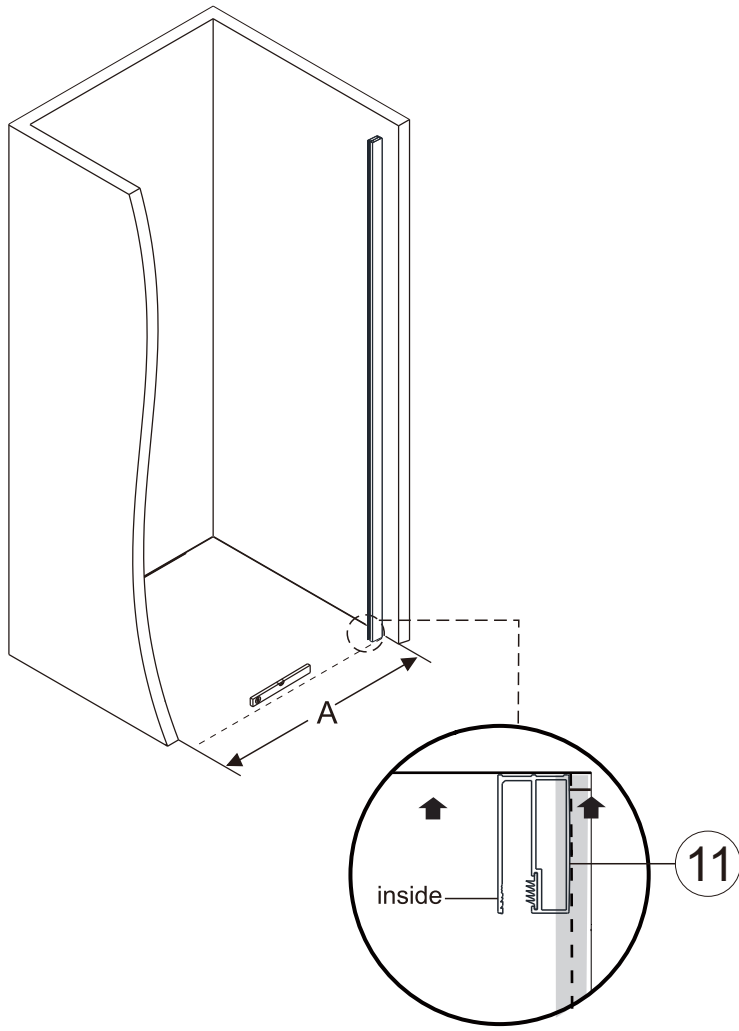


Code	Description	Q'TY	Code	Description	Q'TY	Code	Description	Q'TY
1	Seal strip	1	13	ST4*30 screw	4	25	M4 Wrench	1
2	Moving panel	1	14	Seal strip for side panel-2	1	26	M5 Wrench	1
3	Handle	1	15	Wall Plugs	6	27	Rubber washer	2
4	Bottom seal strip	1	16	Cap for profile-R	1	28	Pressing tool	1
5	Alu bottom strip	1	17	Wall bracket holder	2			
6	Waterproof strip connector	2	18	Wall bracket	1			
7	Washer	1	19	Stopper	4			
8	Hinge-L	1	20	Hinge-R	1			
9	Seal strip for side panel-1	1	21	Wall bracket connector	1			
10	Fixed panel	1	22	M4*10 screw	3			
11	Wall profile	1	23	ST4*40 screw	2			
12	Wedge gasket	1	24	M2.5 Wrench	1			

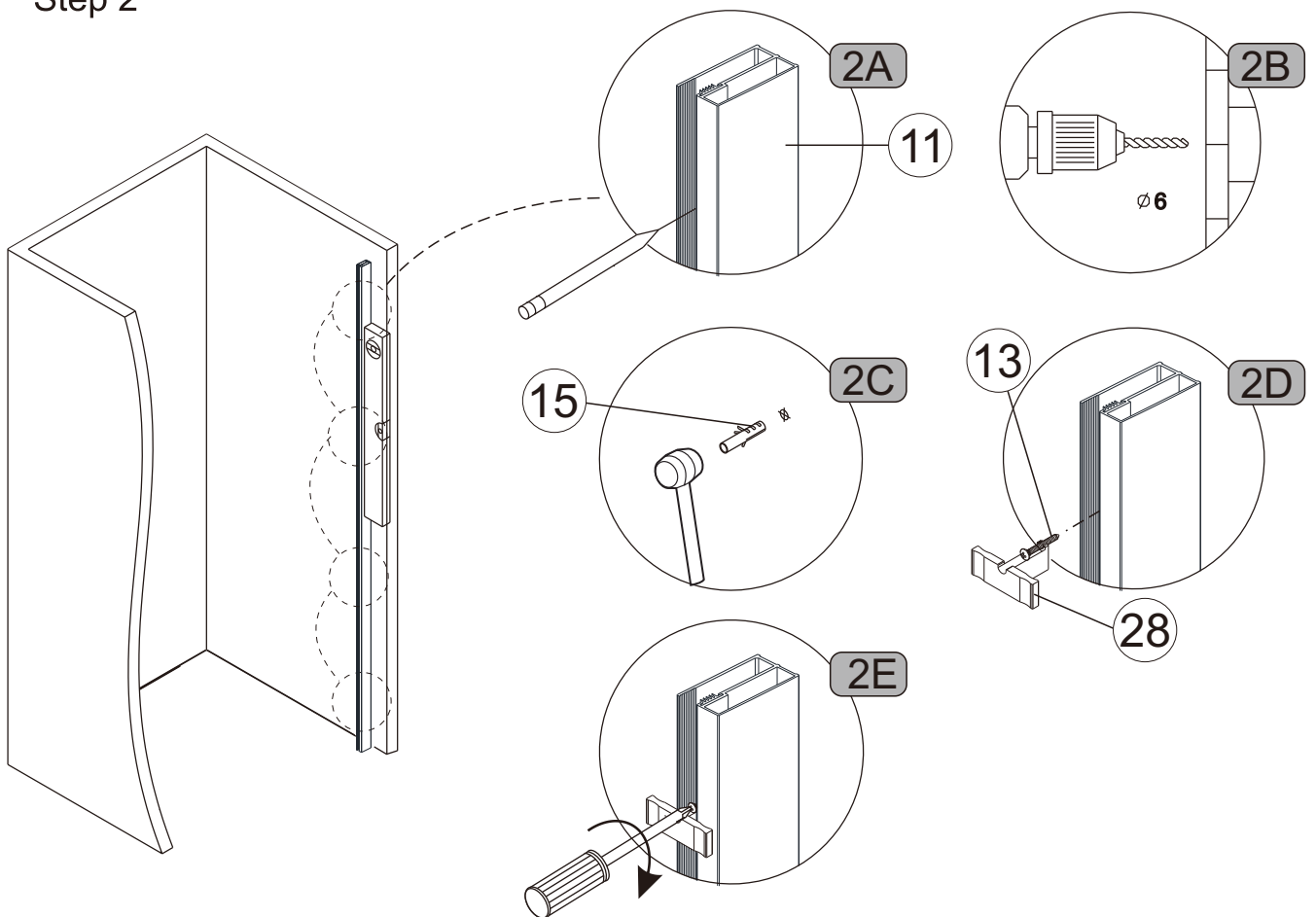
Installation Steps

Step 1

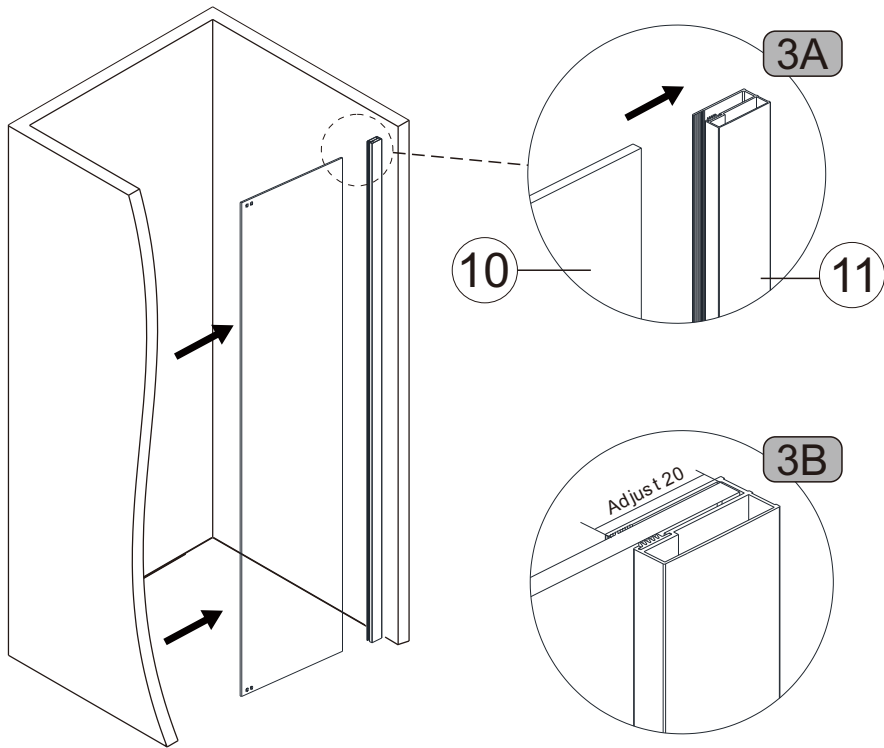
Model	A(mm)
L80	730-830
L90	830-930
L100	930-1030
L110	1030-1130
L120	1130-1230
L130	1230-1330
L140	1330-1430



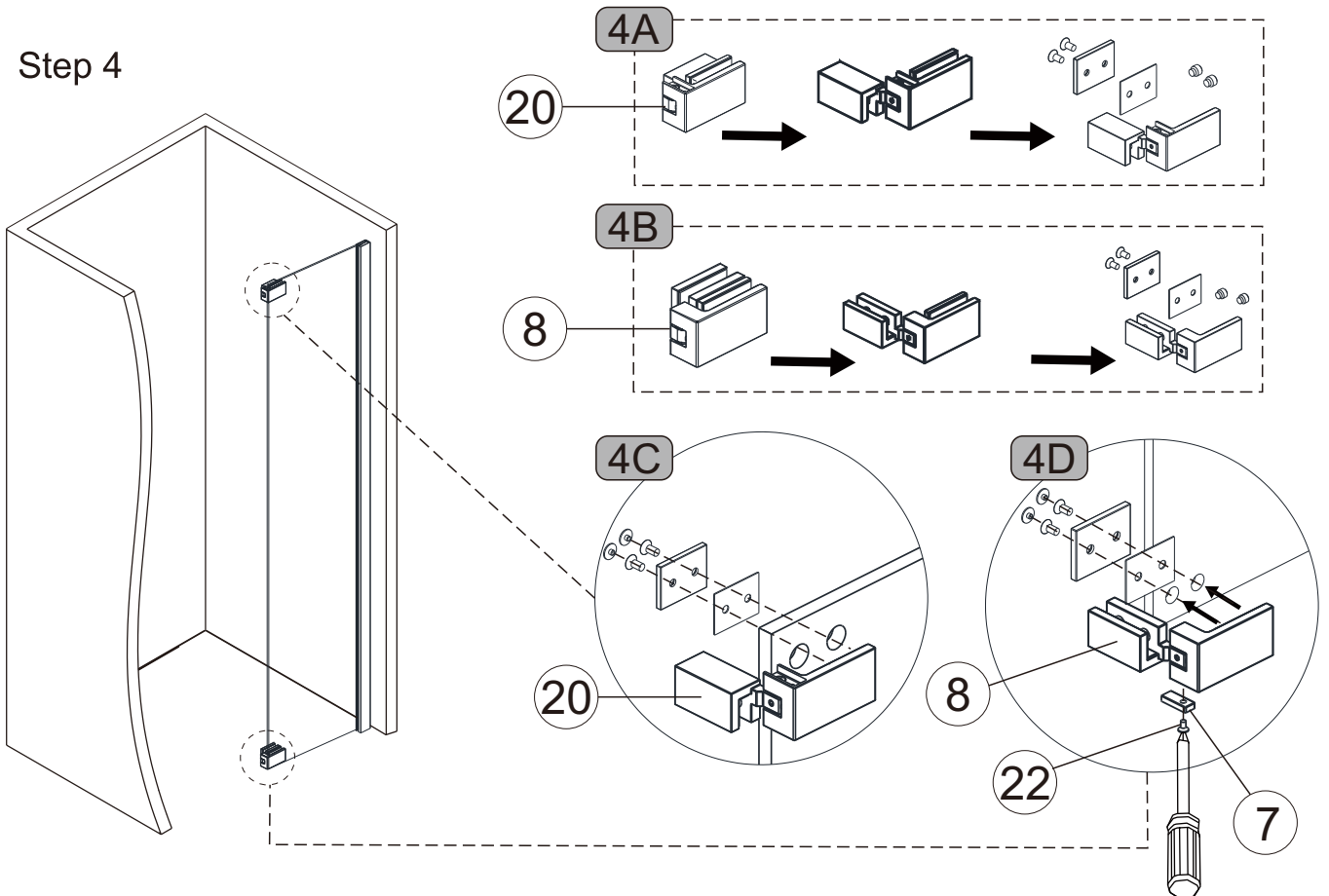
Step 2



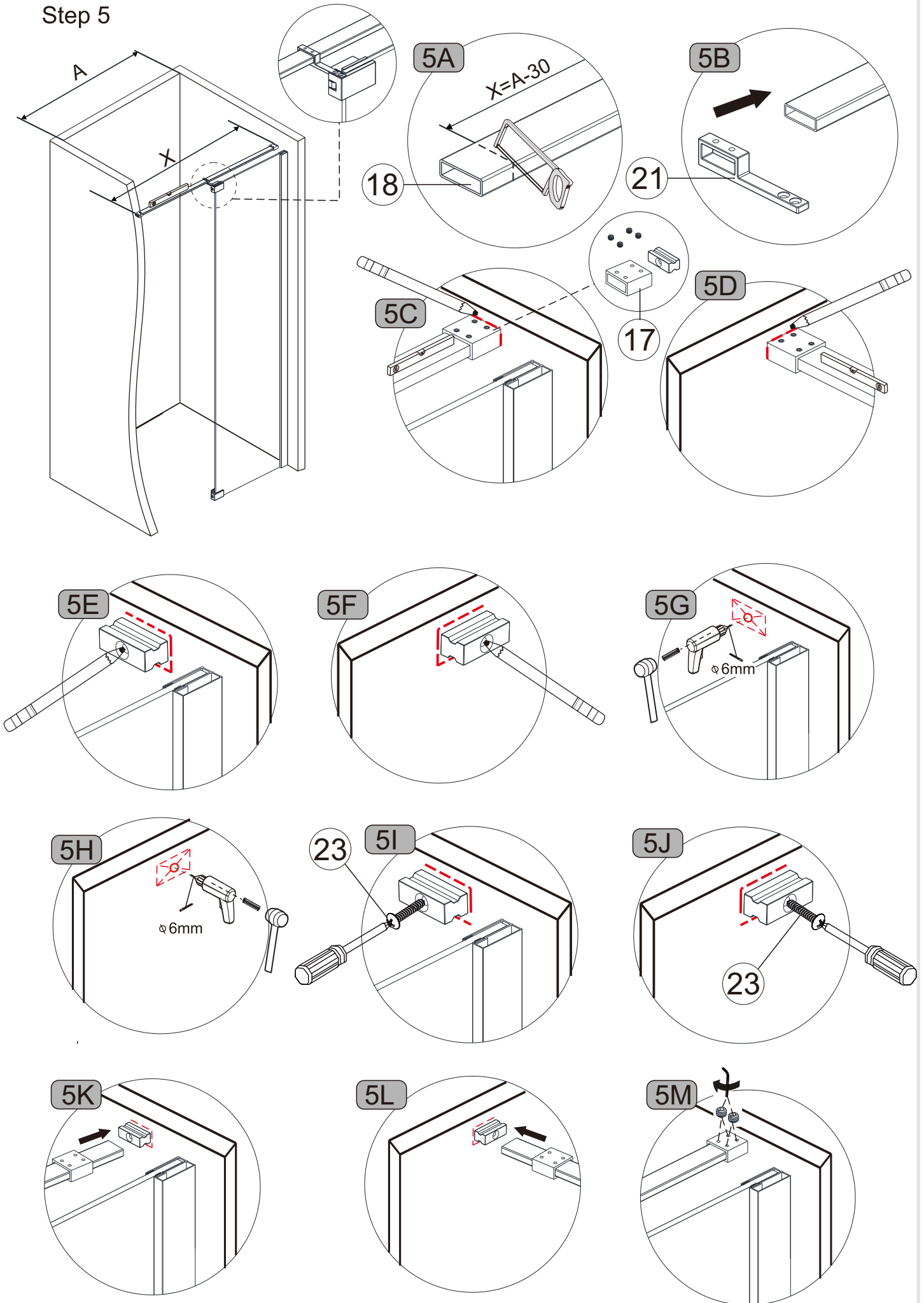
Step 3



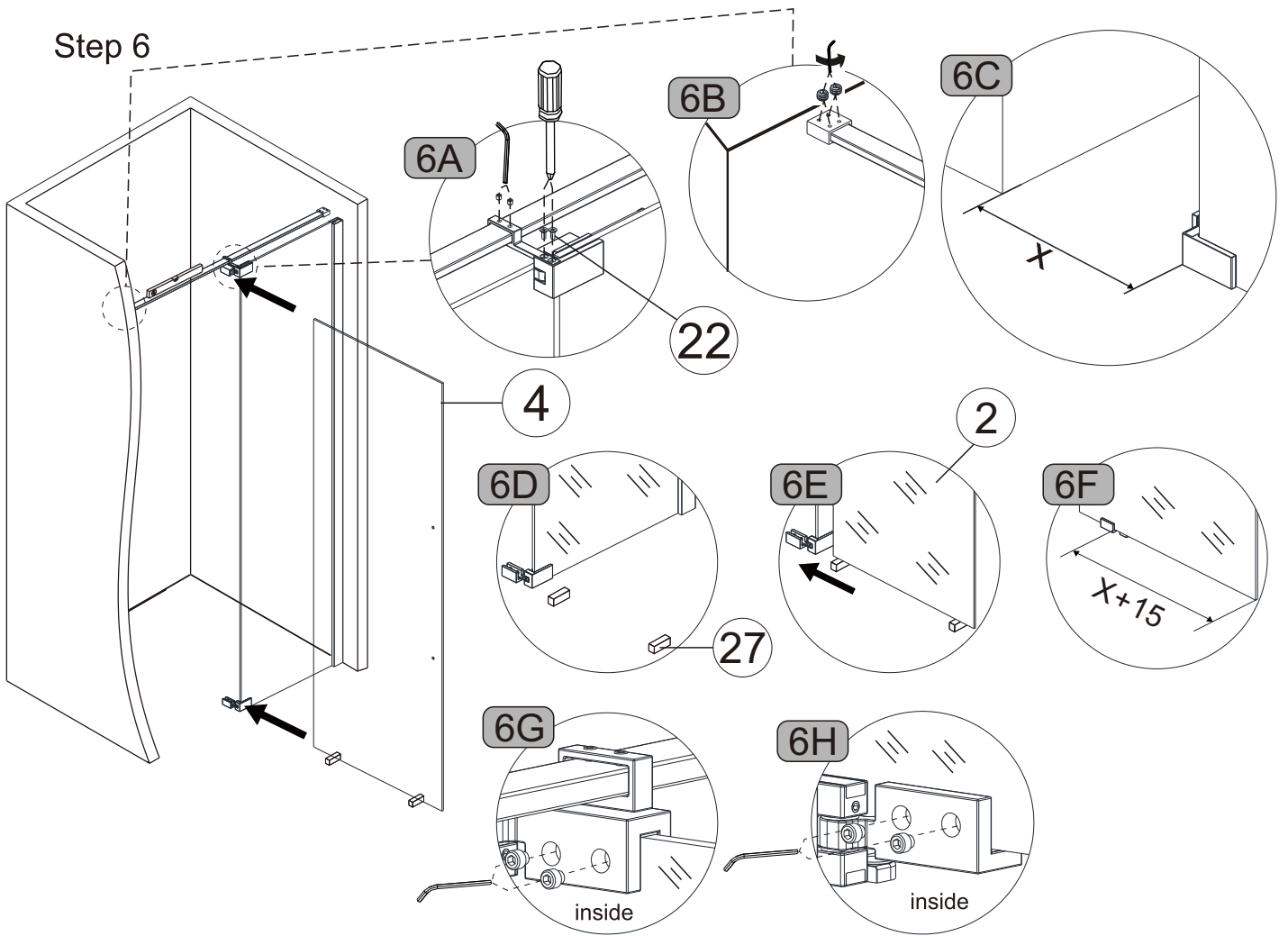
Step 4



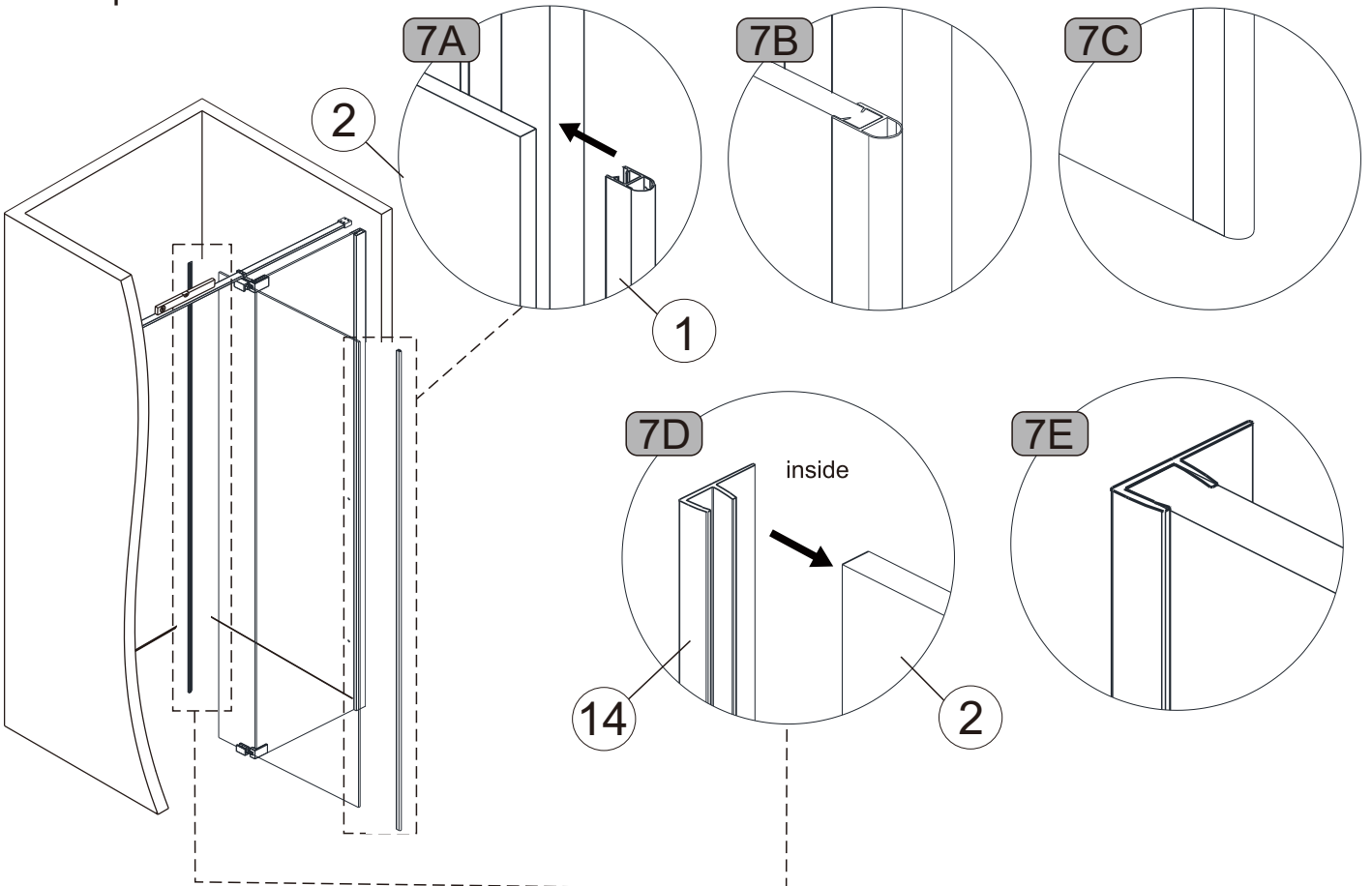
Step 5



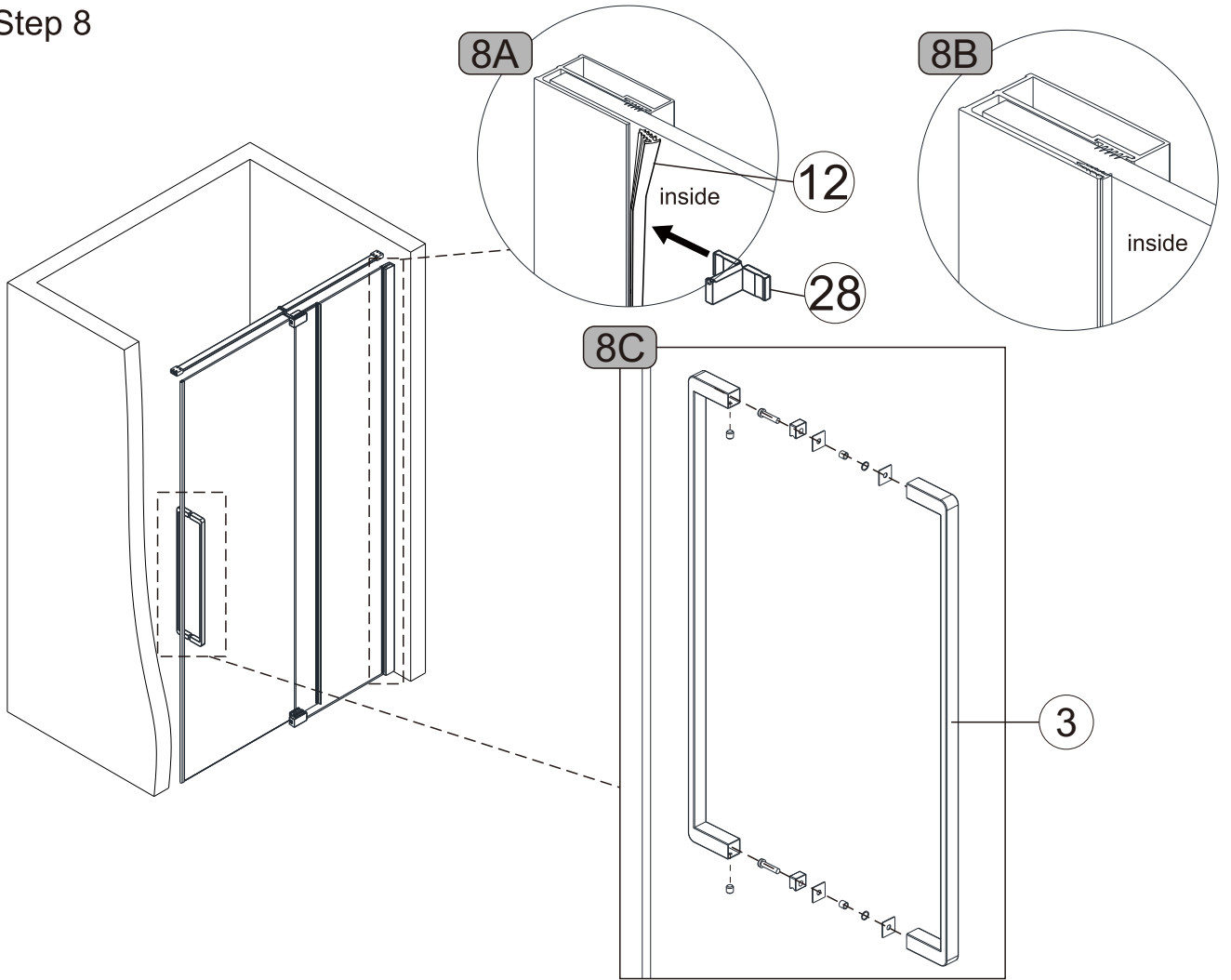
Step 6



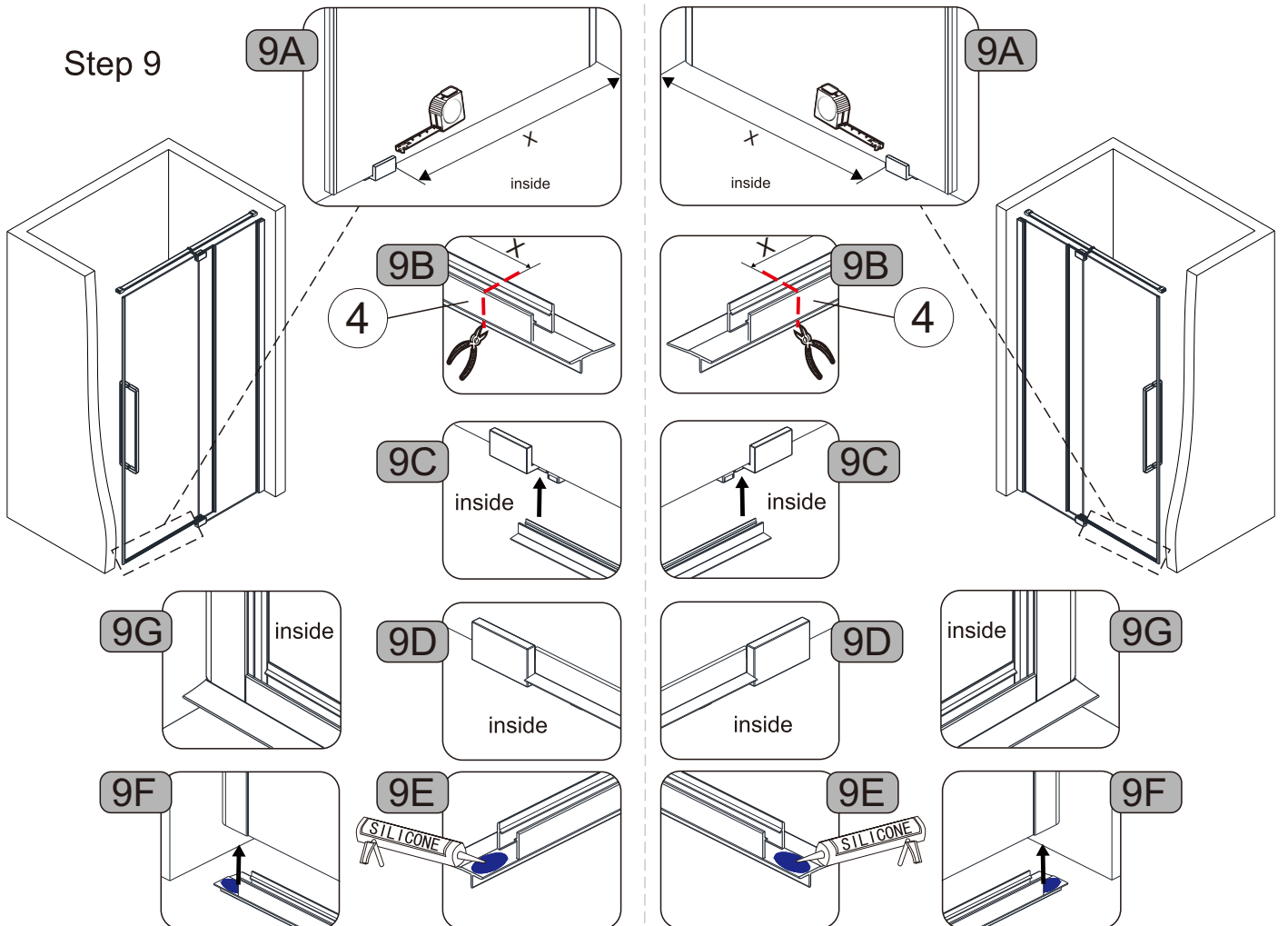
Step 7



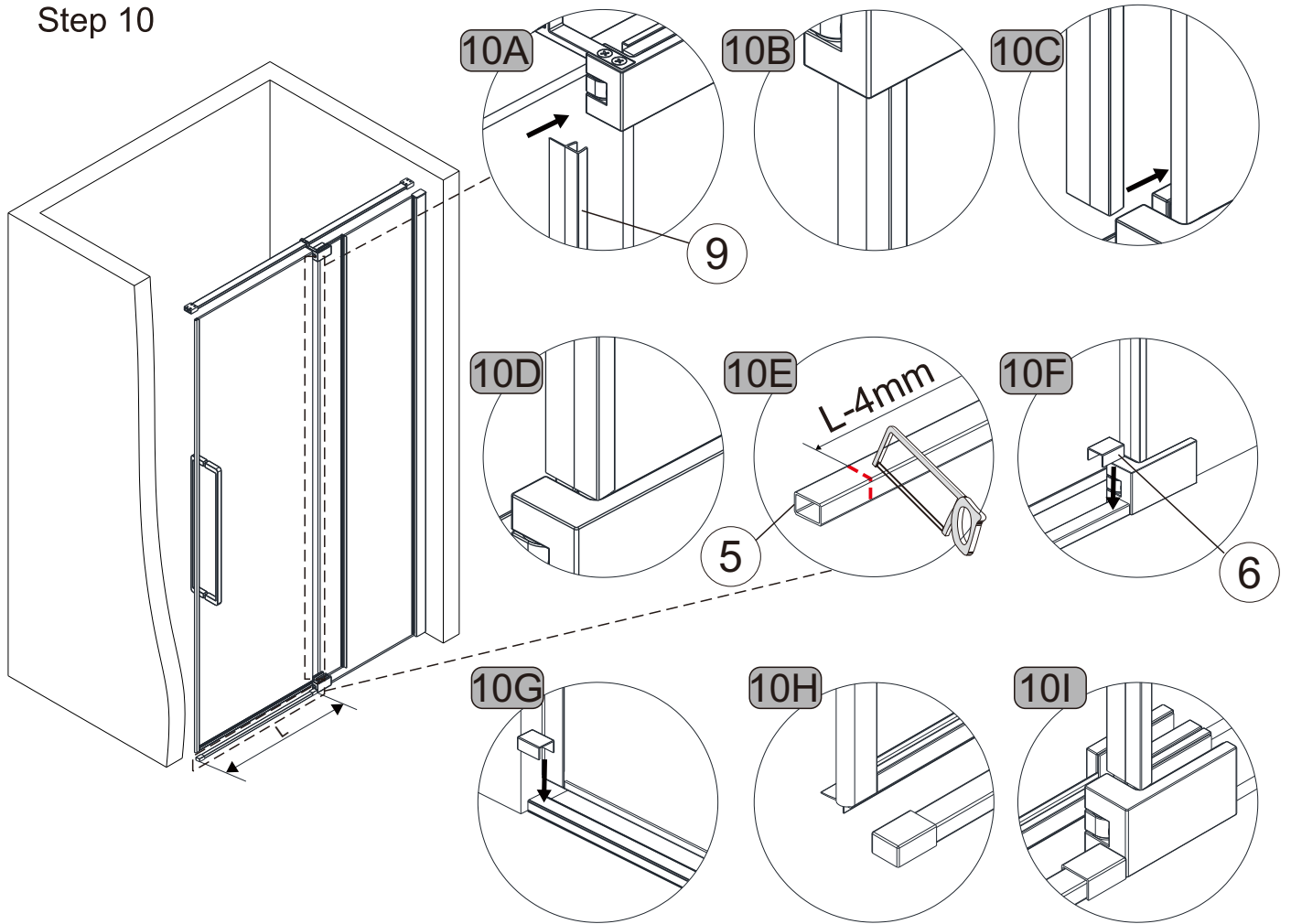
Step 8



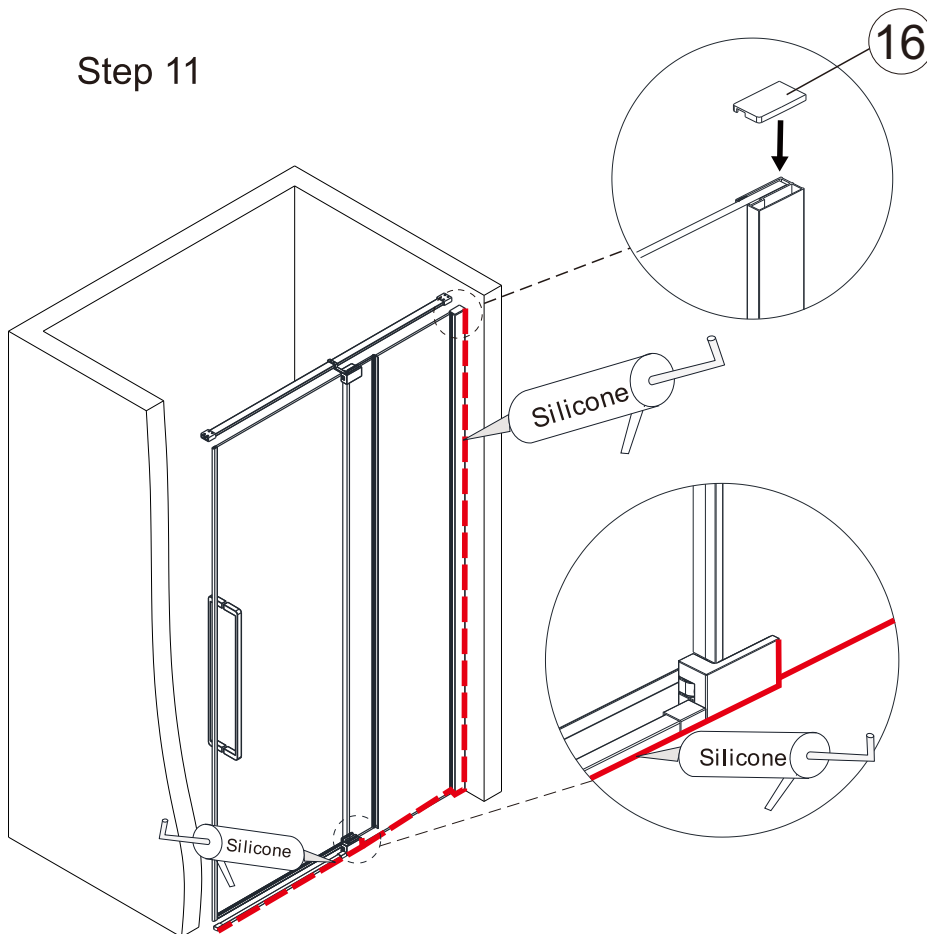
Step 9



Step 10



Step 11



Apply glass glue on the outer contact surface between the wall and the profile, the outer contact surface between the bottom basin and the profile and related connectors for waterproof treatment.

