

# PRODUCT DATA SHEET



**PRODUCT CODE**  
LIMITINTDRAWER50+

---

**RANGE**

Limit

---

**DESCRIPTION**

Limit Internal Drawer 500 Anthracite

---

**WEBSITE LINK** [Click Here](#)

---

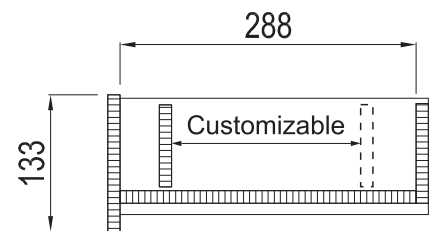
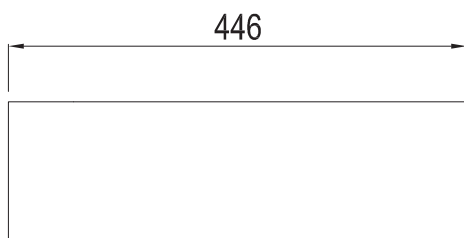
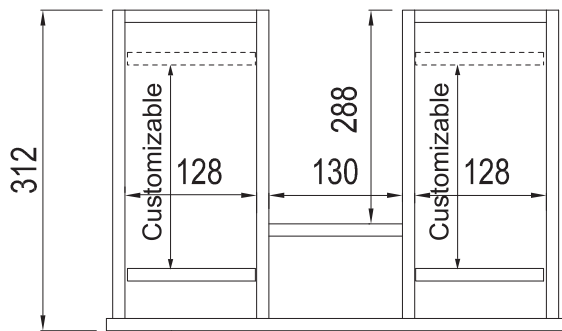
<b>CATEGORY</b>	Furniture
<b>WARRANTY DETAILS</b>	10 Years
<b>COLOUR</b>	Anthracite
<b>PRIMARY MATERIAL</b>	MFC
<b>INSTALL TYPE</b>	Furniture Mounted
<b>PRODUCT WIDTH MM</b>	446
<b>PRODUCT HEIGHT MM</b>	133
<b>PRODUCT DEPTH MM</b>	312
<b>PRODUCT NET WEIGHT KG</b>	3.15

<b>DRAWER BOX</b>	MFC
<b>DRAWER RUNNERS</b>	HETTICH QUADRO 4D V6/300
<b>DRAWER EXTENSION</b>	Full extension
<b>DRAWER ADJUSTMENT</b>	4
<b>ADJUSTABLE FEET</b>	No
<b>DRAWER CAPACITY</b>	30kg
<b>DRAWER OPERATION</b>	Soft close/pull to open

## TECHNICAL DIMENSIONS

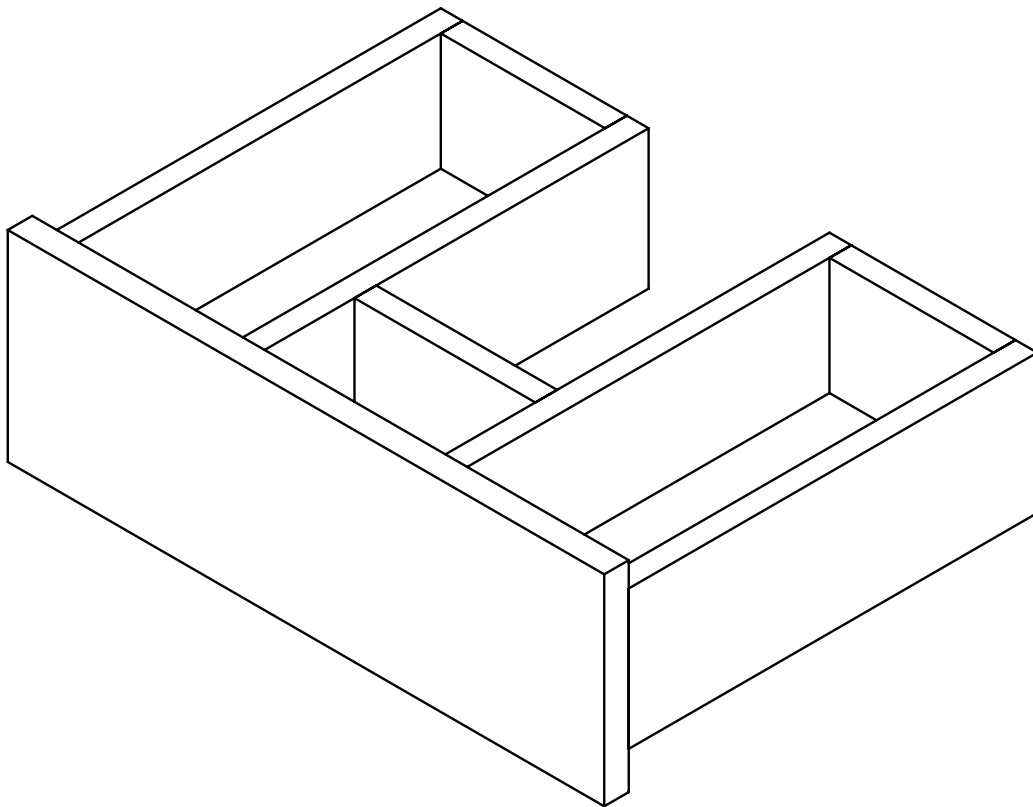
Dimensions in mm unless otherwise specified.

Tolerances (per material type) apply.



## SPARES LIST

Only the parts labelled are available as spares.



NUMBER	PART CODE	DESCRIPTION
1	RUNNERSLIMIT_2+	Set of Draw Runners x2 Limit for Internal Drawer (Sold Seperately)