

# PRODUCT DATA SHEET



PRODUCT CODE  
CT4914UCW

RANGE  
COUNTER

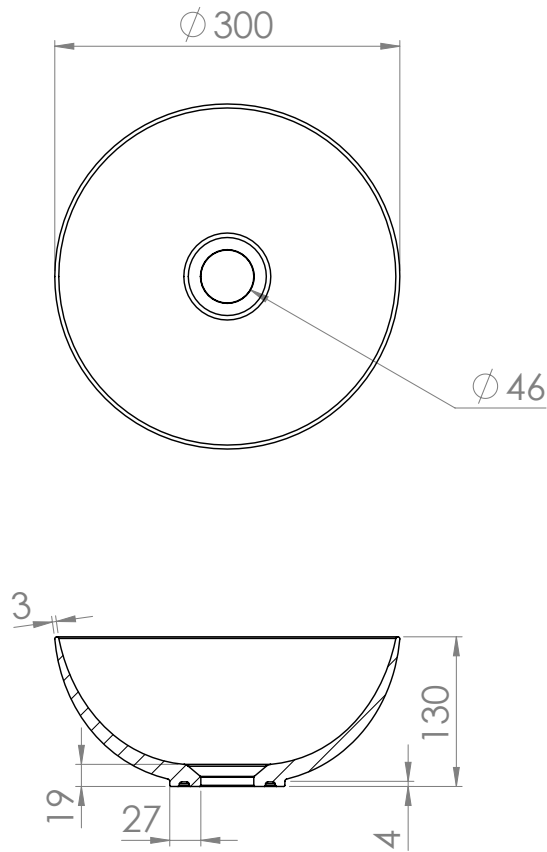
DESCRIPTION  
Circus 300mm Basin White No Overflow

COLOUR	White
COLOUR CODE/ REFERENCE	European White
MATERIAL	Vitreous China
STANDARDS	EN 31/EN 14688 - CL00
INSTALLATION TYPE	Counter
DOP CLASS	CLASS 0 - 01/2021
BASIN WASTE SIZE	45mm
OVERFLOW	No
WEIGHT	3kg
WARRANTY	10 Years

## TECHNICAL DIMENSIONS

Dimensions in mm unless otherwise specified.

Tolerances (per material type) apply.



V10822