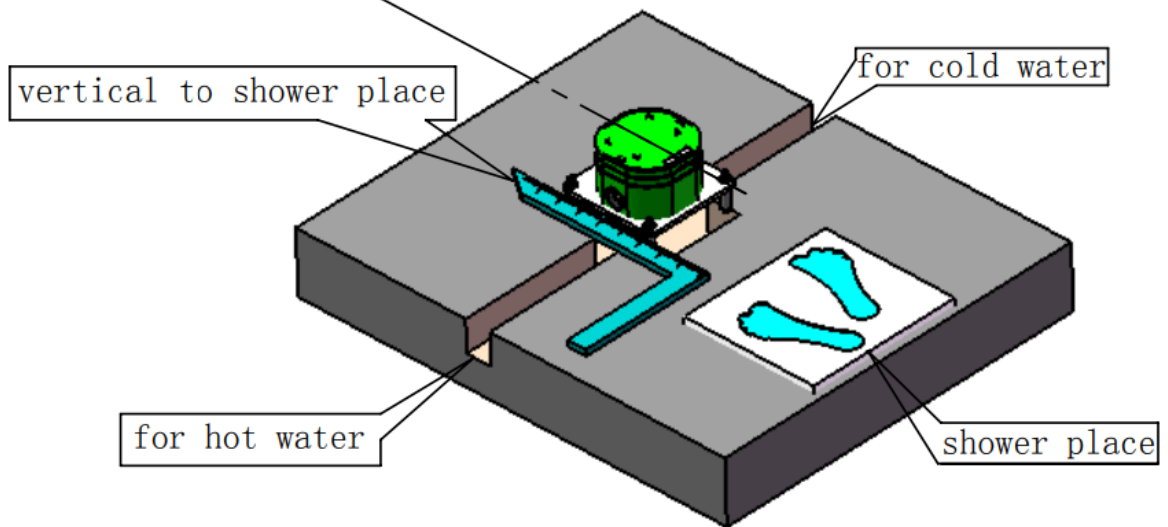


fortifura



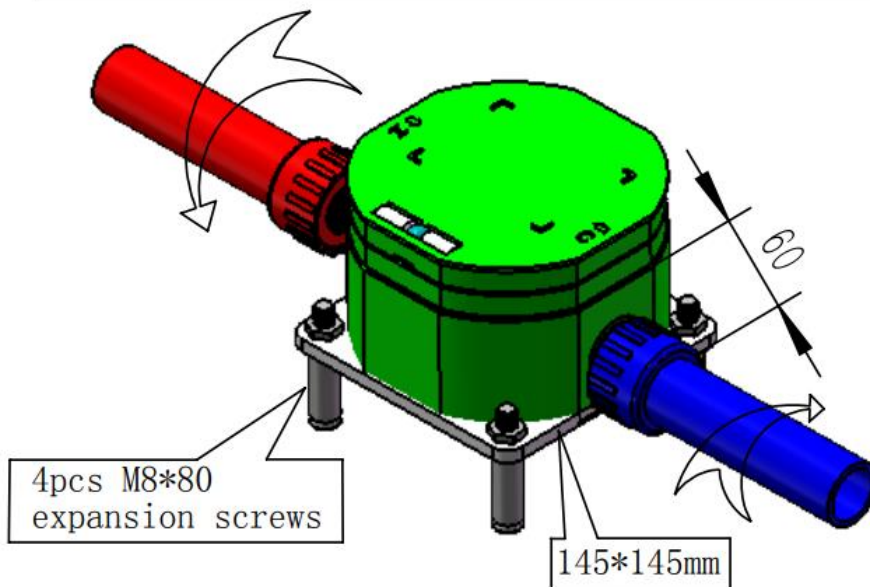
①

Confirm positions for embedded C-box and shower place (distance btw them is 750mm), then dig holes based on C-box size.



②

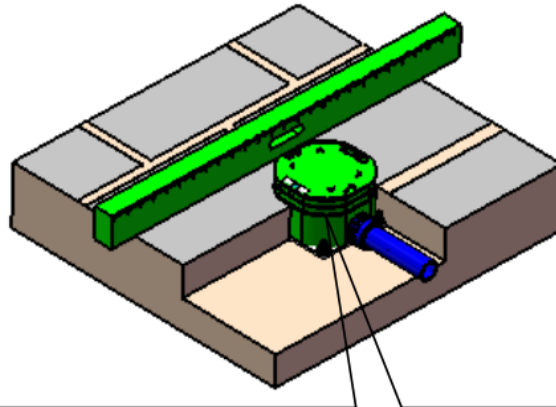
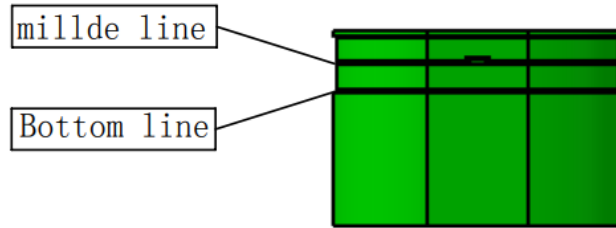
Connect hot and cold water pipes to the embedded C-box, make sure no leaking.



fortifura



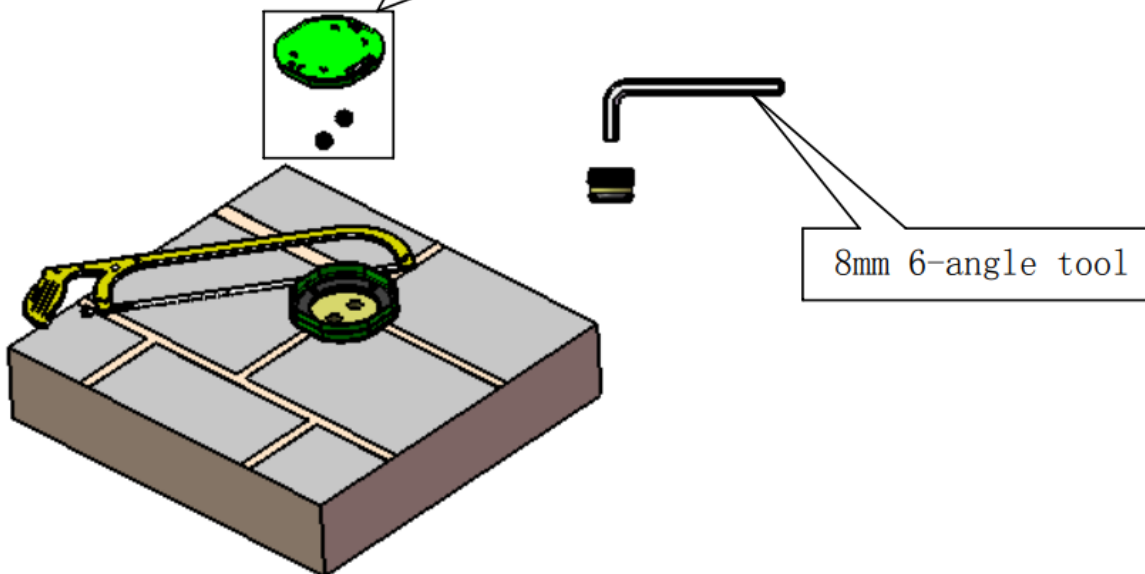
3



Make sure C-box is vertical and centered to you.
Tighten up C-box to hole bottom with 4pcs M8 expansion screws,
make sure floor tile must be higher than bottom line and lower
than middle line of C-box.

4

Throw out C-box cover and plugs
for hot and cold water outlets.
Cut the extra top part of C-box.

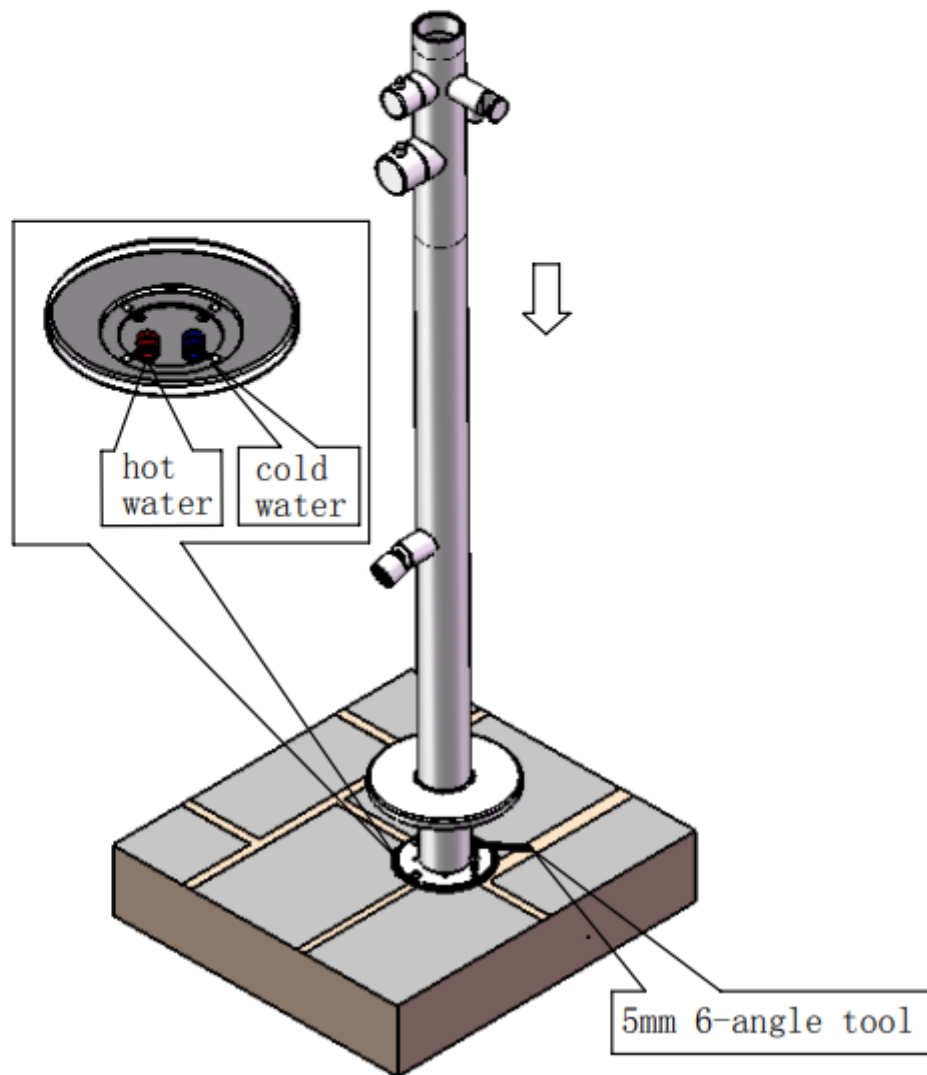


fortifura



5

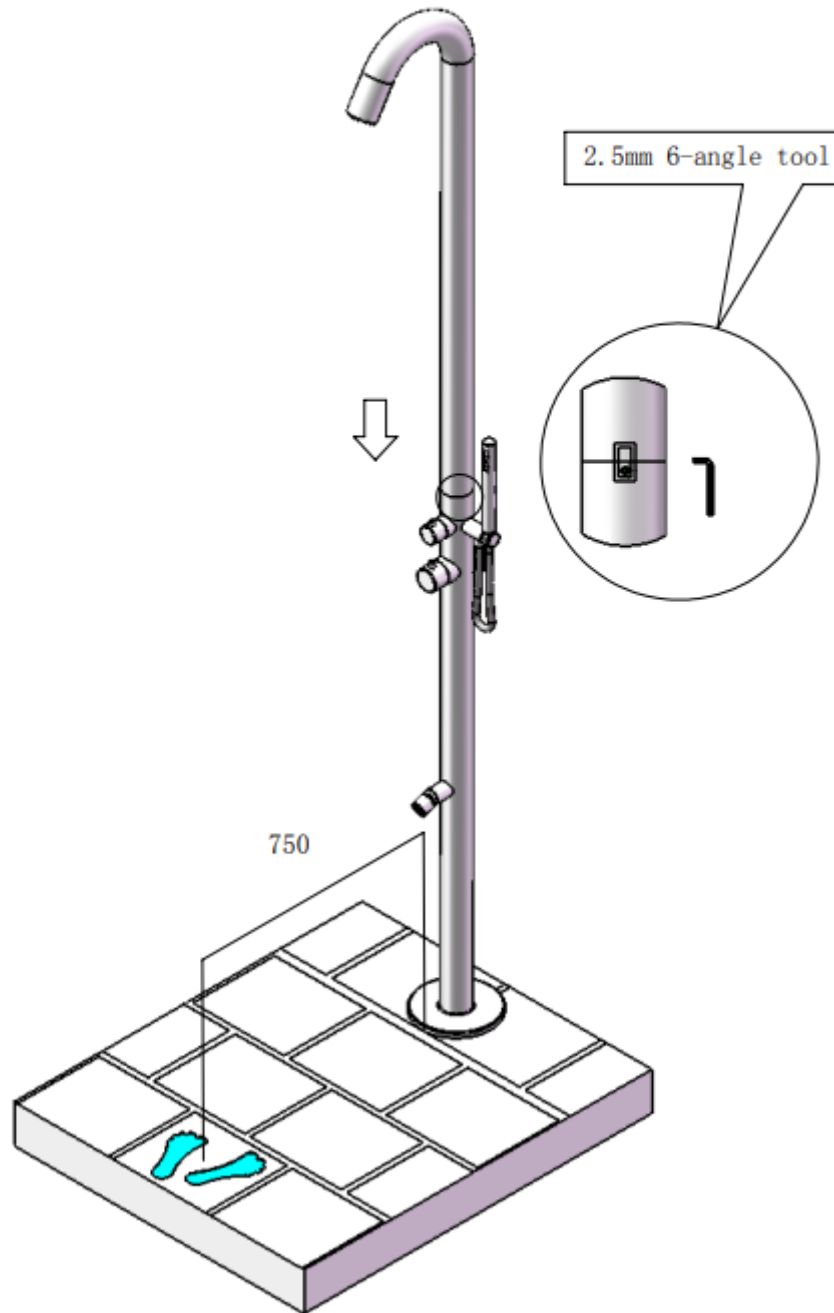
Insert lower pipe to the C-box, connect bottom plate to C-box with 4 screws, then push down the bottom decorated cover to floor.



fortifura



- 6 Insert upper pipe into the lower pipe, match back lines on two pipes together to be one rectangular, and lock screw in back pipes to get installation done.
- Connect handshower with flexible hose if have.
(if items have spout, pls note we already got it installed.)



fortifura