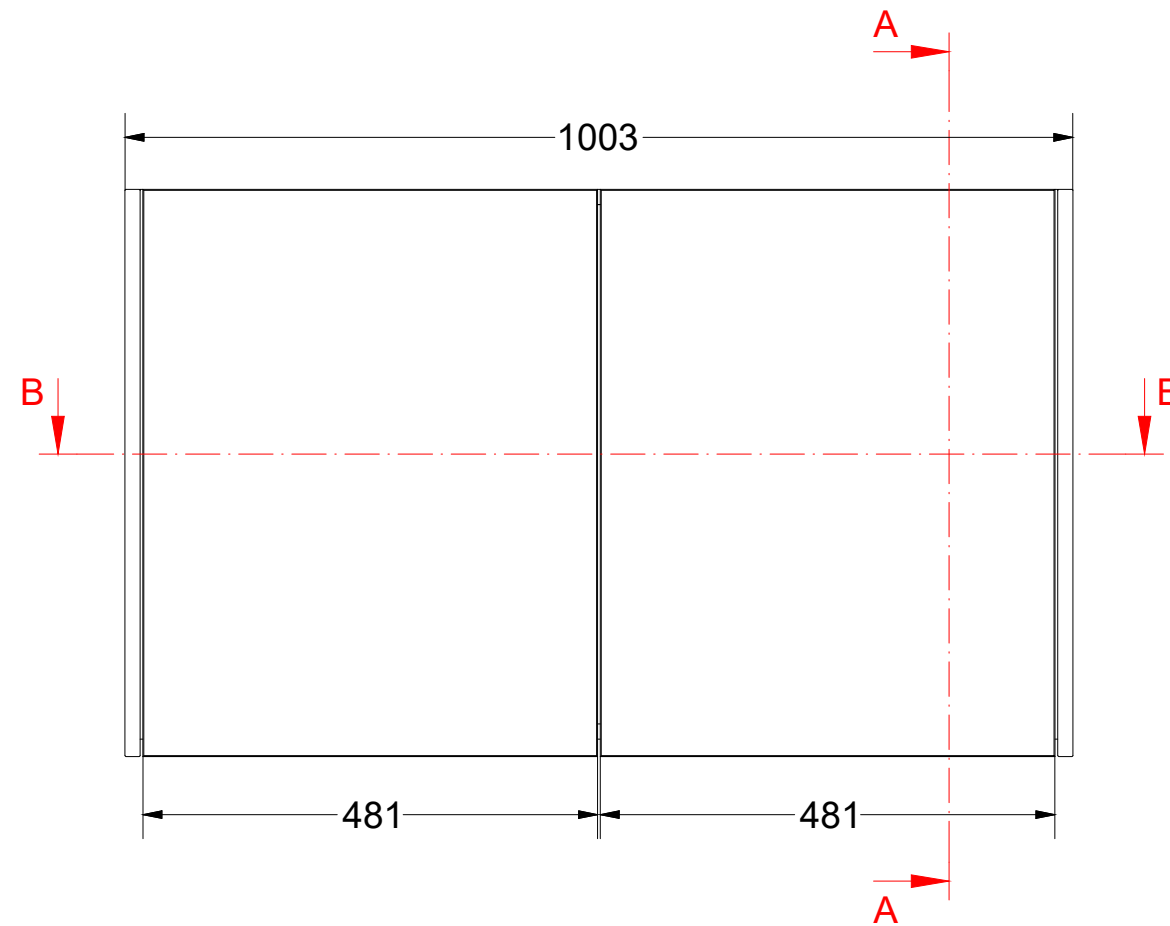
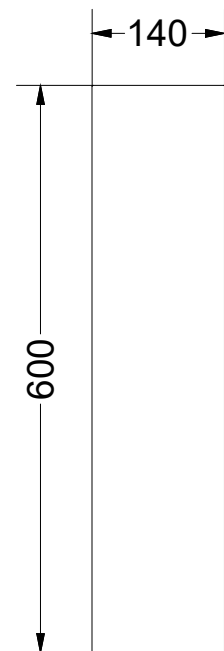
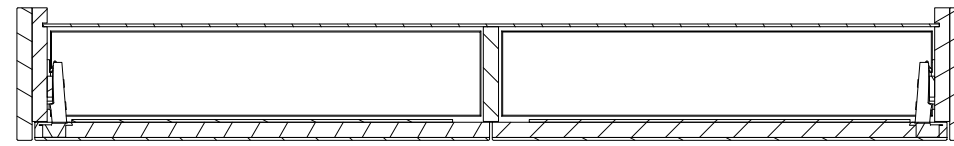
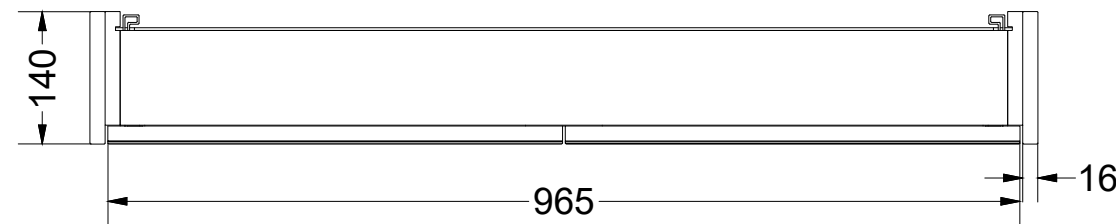
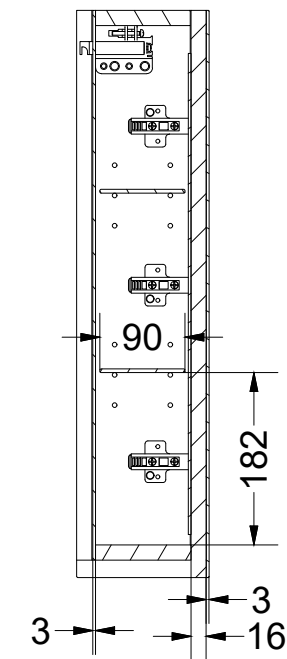


B-B



A-A



DRAWING TITLE	COMFORT 100		
SANIBELL	Drawn	Gaga Kaur	
	Date	05/08/2021	
	Units	mm	

All achieved (originals of) results (such as designs, design sketches, concepts, advice, working drawings, illustrations, photos, prototypes, molds, prototypes, (partial) products, presentations and other materials or (electronic) files, etc.) remain the property of Sanibell, whether or not they have been made available to third parties. All resulting intellectual property rights - including patent, trademark, drawing or design rights and copyright - on the results of the proposal belong to Sanibell.