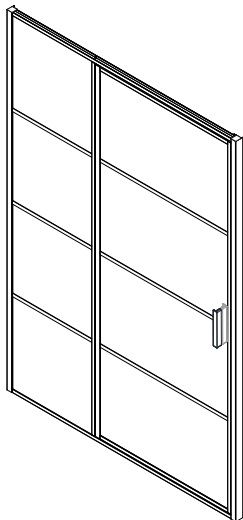
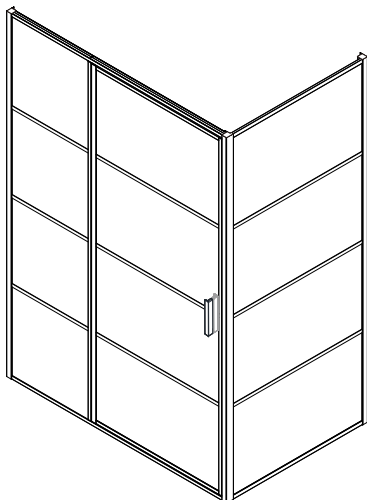


INSTALLATION INSTRUCTIONS



**SW491684/SW491685/
SW491686/SW491687/
SW491688/SW491689/
SW491690/SW491691**

1



2

**SW491684/SW491685/
SW491686/SW491687/
SW491688/SW491689/
SW491690/SW491691
+
SW491681/SW491682/
SW491683**



GENERAL INFORMATION

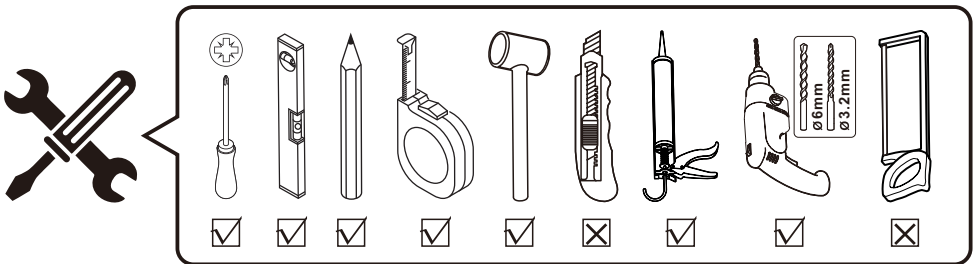
Please inspect the product immediately upon receipt for transit damage, missing packs/parts or manufacturing fault. Damage reported later cannot be accepted. Please handle the product with care avoiding knocks and shock loading to all sides and edges of the glass.

NOTES: Safety glass can not be re-worked

Please read these instructions carefully before start of installation.
Special care should be taken when drilling walls to avoid hidden pipes or electrical cables.
Note: This product is heavy and may require two people to install.

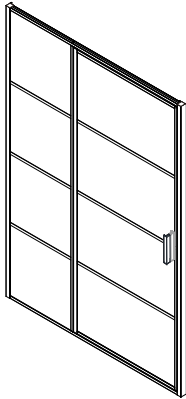
AFTERCARE INSTRUCTIONS

After use, your shower should be cleaned with soap and water. This is particularly important in hard water districts where insoluble lime salts may be deposited and allowed to build up. Cleaners of a gritty or abrasive nature should not be used. Care should be taken to avoid contact with strong chemicals such as organic solvents and strippers. Class cleaners can be used but with caution, if in doubt contact the manufacturer of the cleaner in question.
Please keep these instructions for aftercare and customer service details.





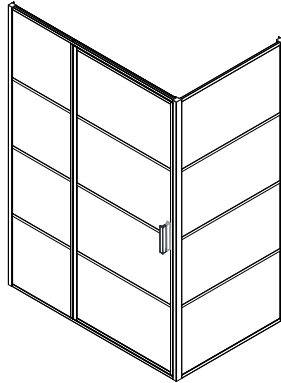
1



PAGE

04-09

2

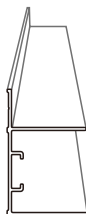


PAGE

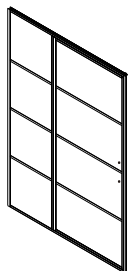
10-15



Box -1



[01] x2



[02] x1



[04] x2



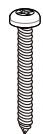
[05] x2



[03] x1



[06] x8



ST4x35

[07] x8



ST4x8

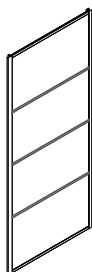
[08] x8



[09] x16



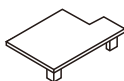
Box -2



[10] x1



[11A] x1



[11B] x1



[12] x1



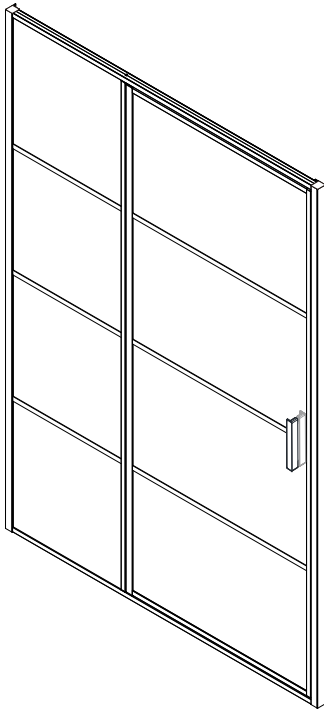
ST4x8

[13] x4

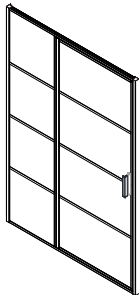


[14] x4

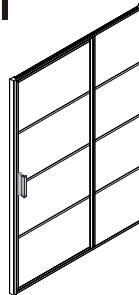
1



LH

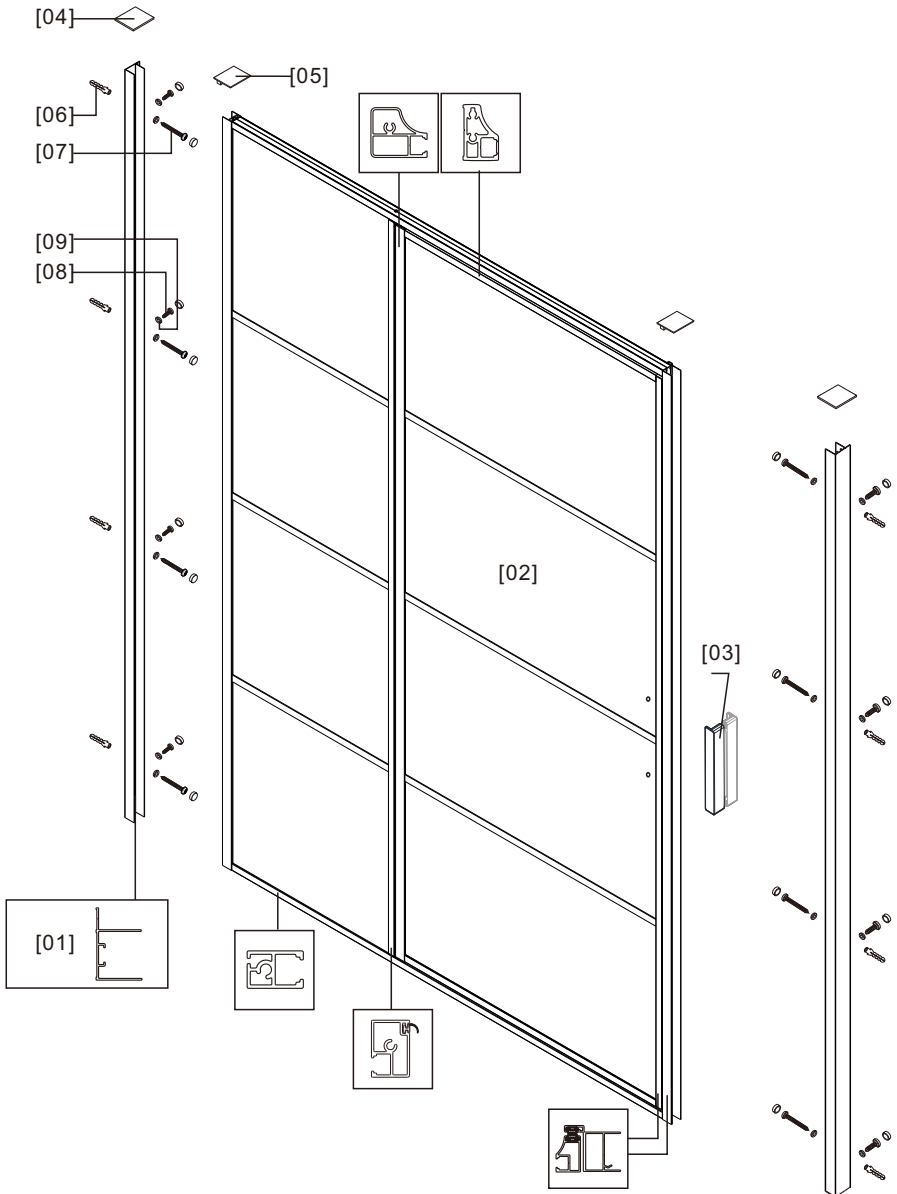


RH





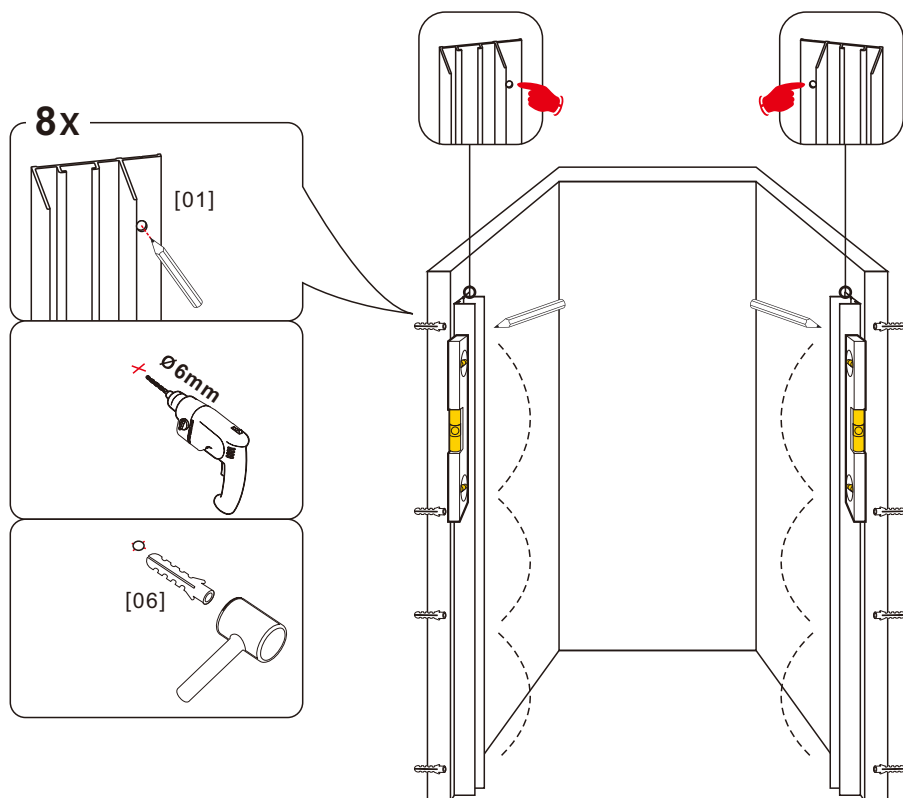
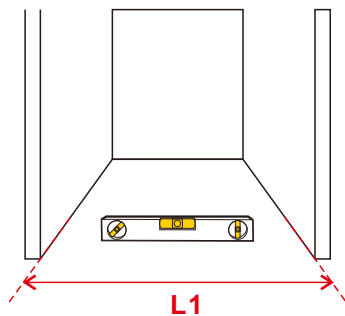
Box -1



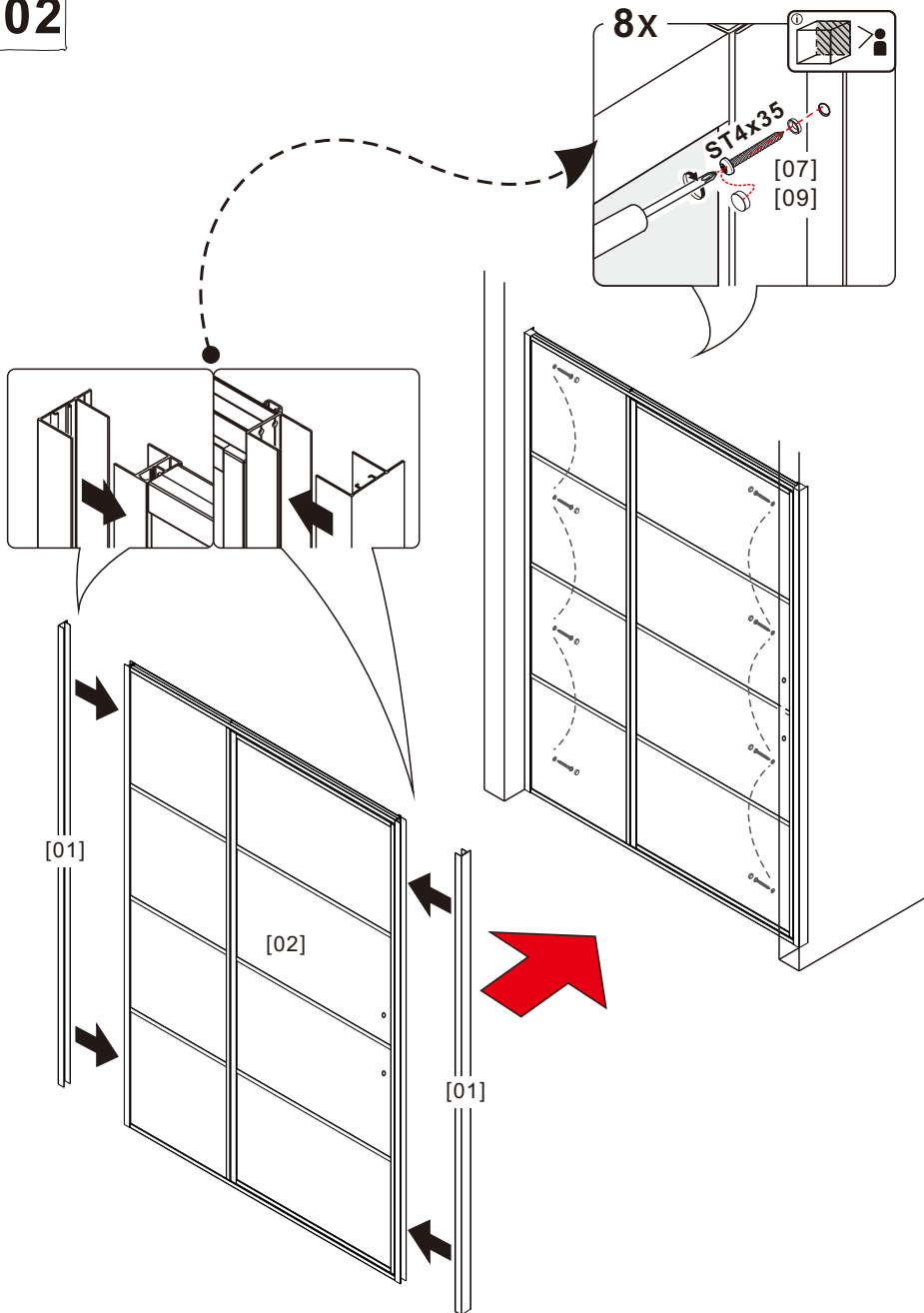


01

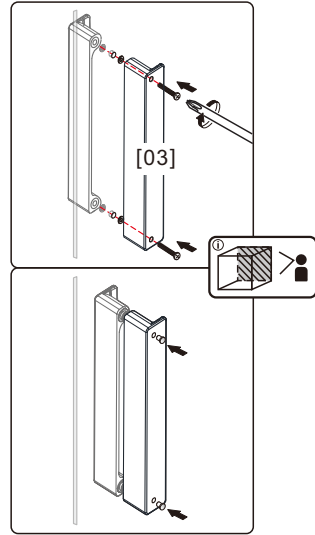
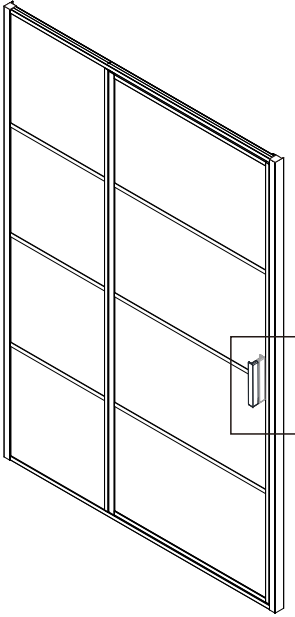
Size (mm)	L1	
	Min.	Max.
900	880	910
1000	980	1010
1100	1080	1110
1200	1180	1210
1300	1280	1310
1400	1380	1410
1500	1480	1510
1600	1580	1610



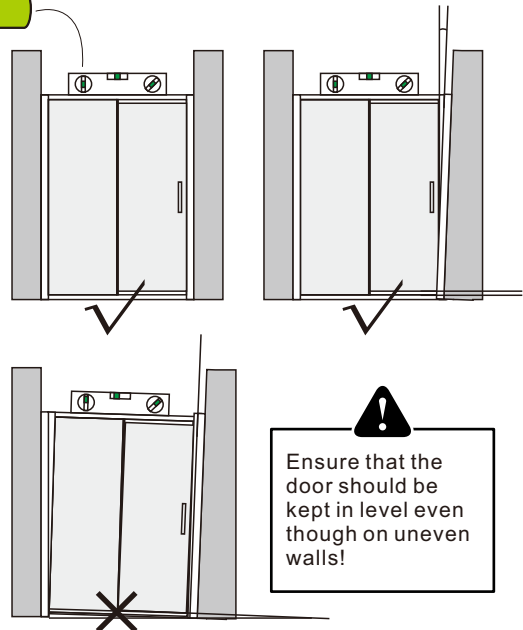
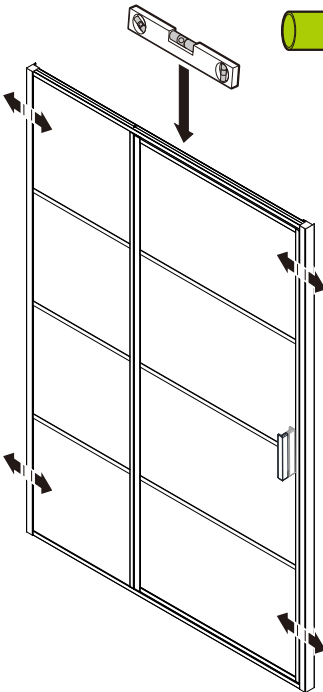
02



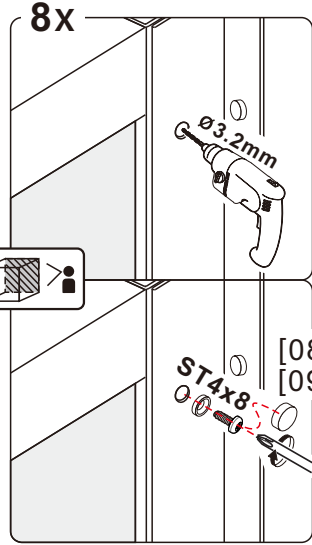
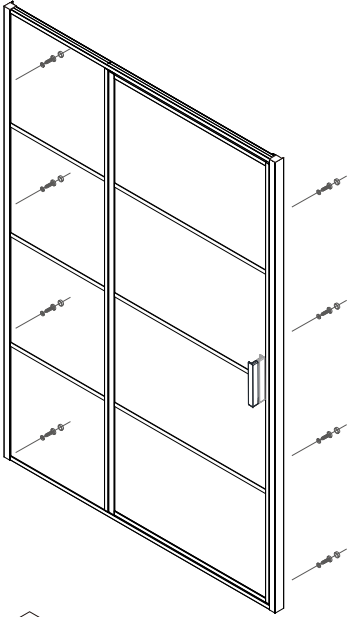
03



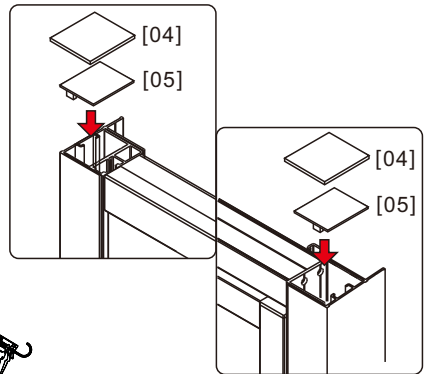
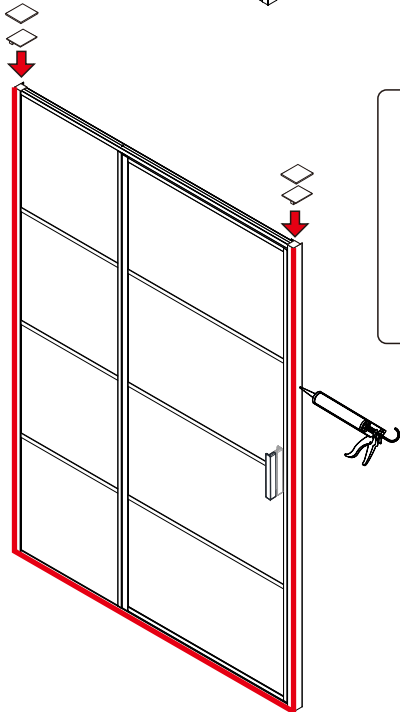
04



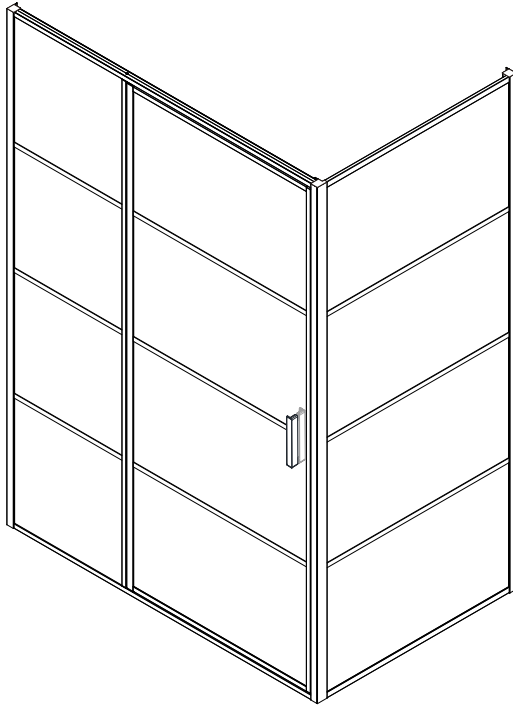
05



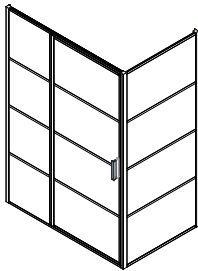
06



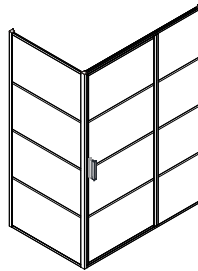
2



LH

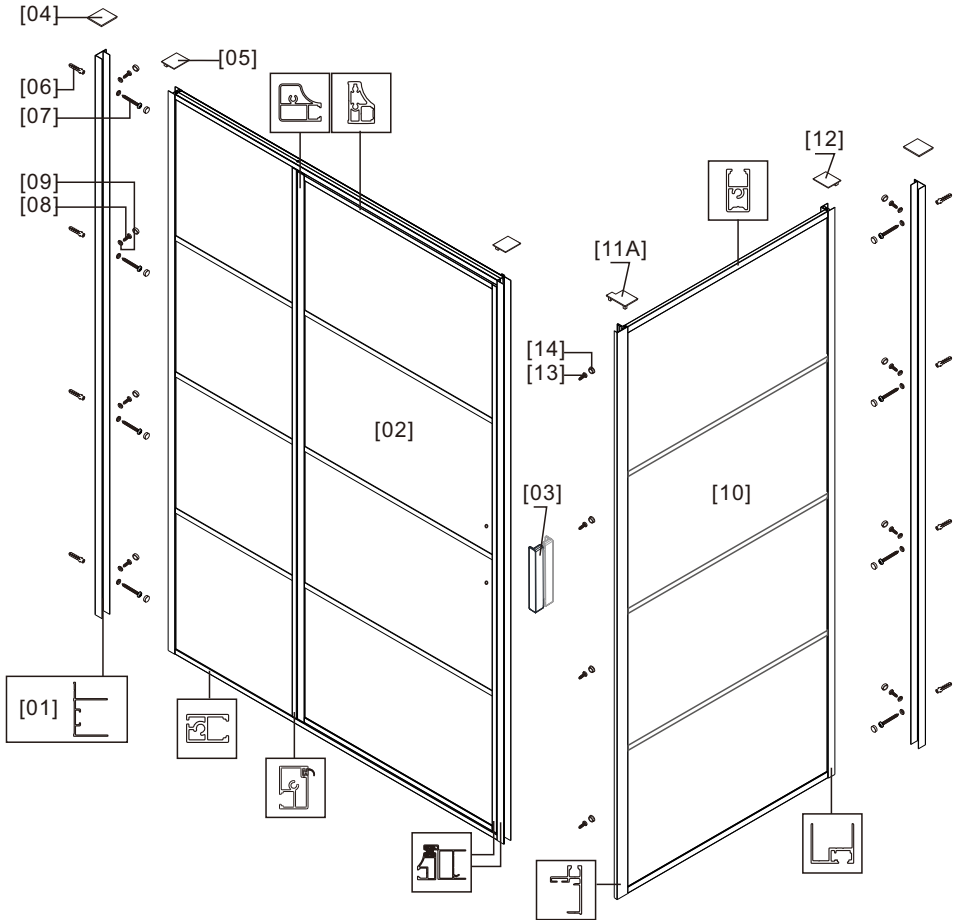


RH





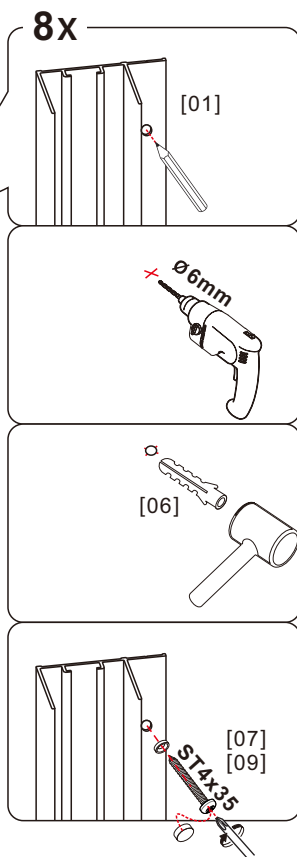
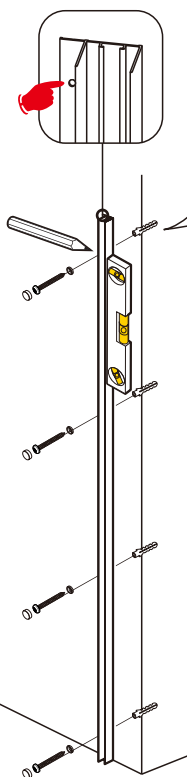
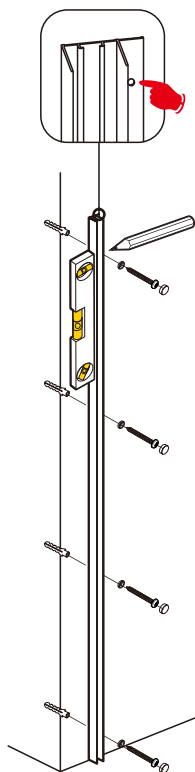
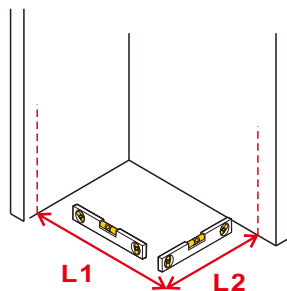
Box -1 & Box -2



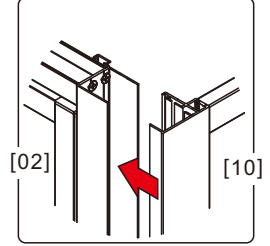
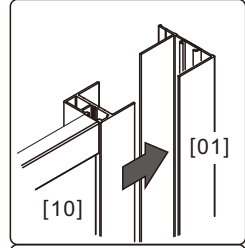
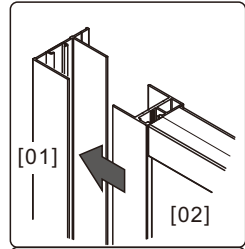
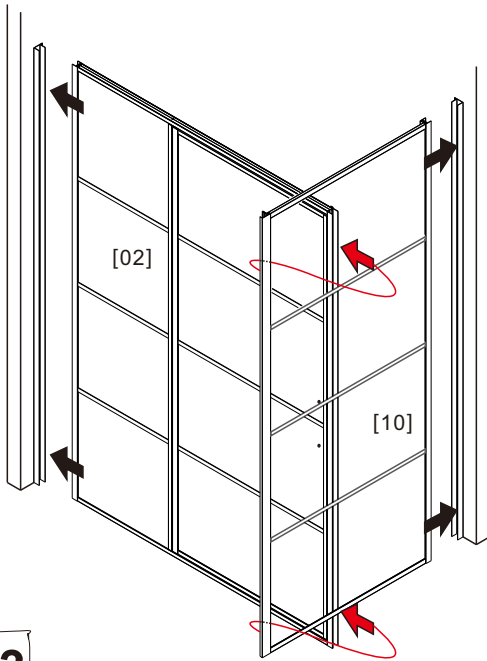


01

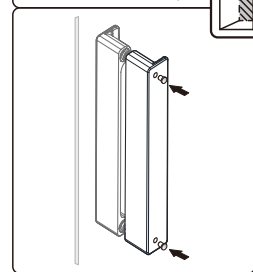
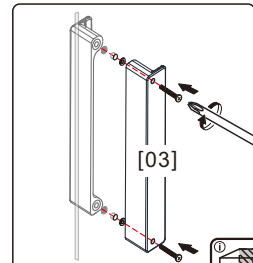
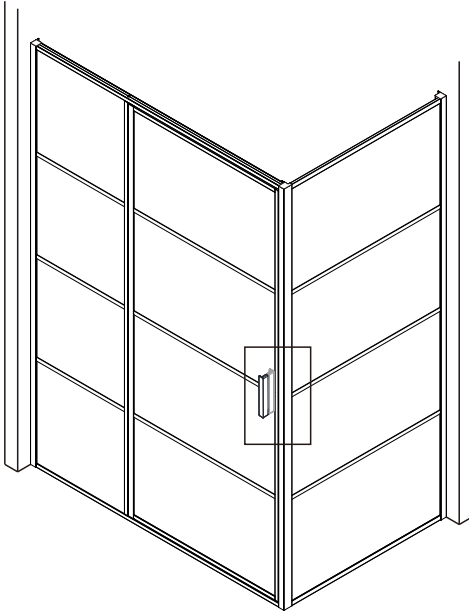
Size (mm)	L1		L2	
	Min.	Max.	Min.	Max.
800			780	795
900	880	895	880	895
1000	980	995	980	995
1100	1080	1095		
1200	1180	1195		
1300	1280	1295		
1400	1380	1395		
1500	1480	1495		
1600	1580	1595		



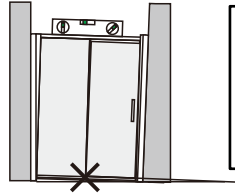
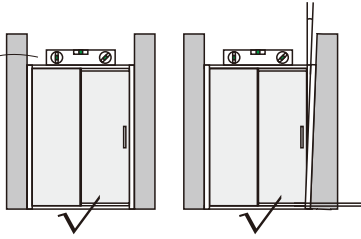
02



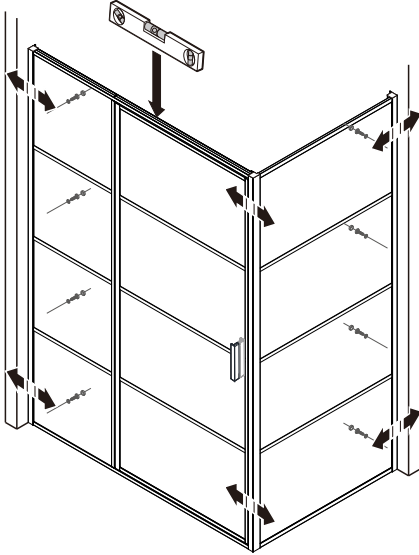
03



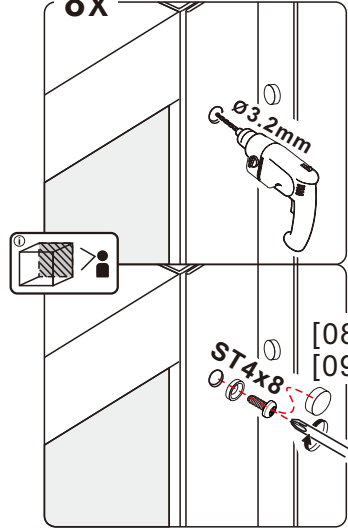
04



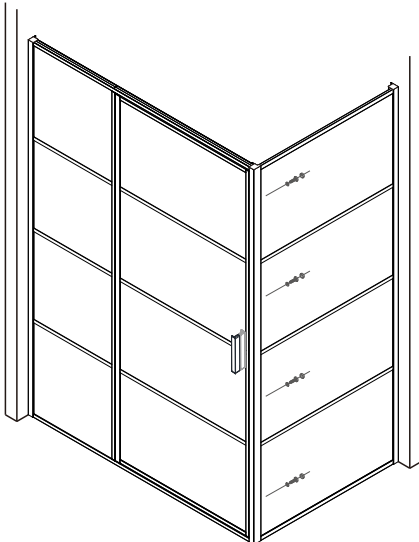
Ensure that the door should be kept in level even though on uneven walls!



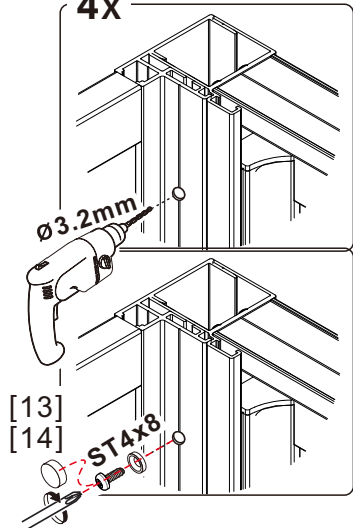
8x



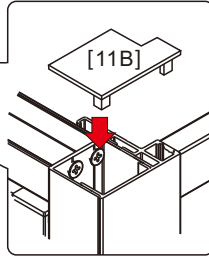
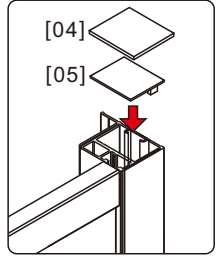
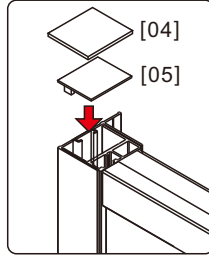
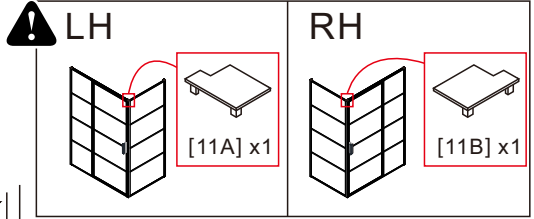
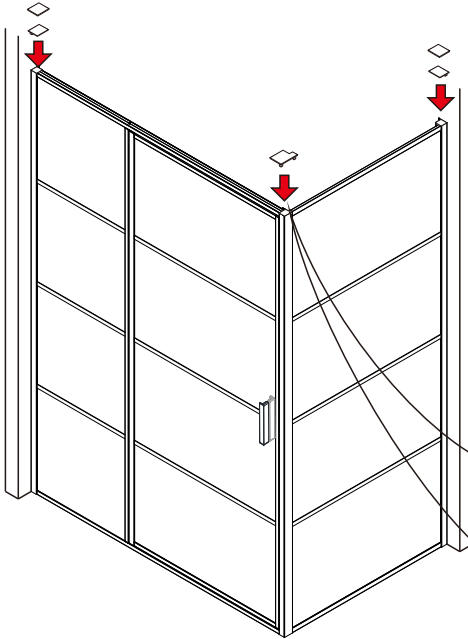
05



4x



06



07

