

# PRODUCT DATA SHEET



**PRODUCT CODE**  
PROMODDIVLBPC

**RANGE**  
MODULE

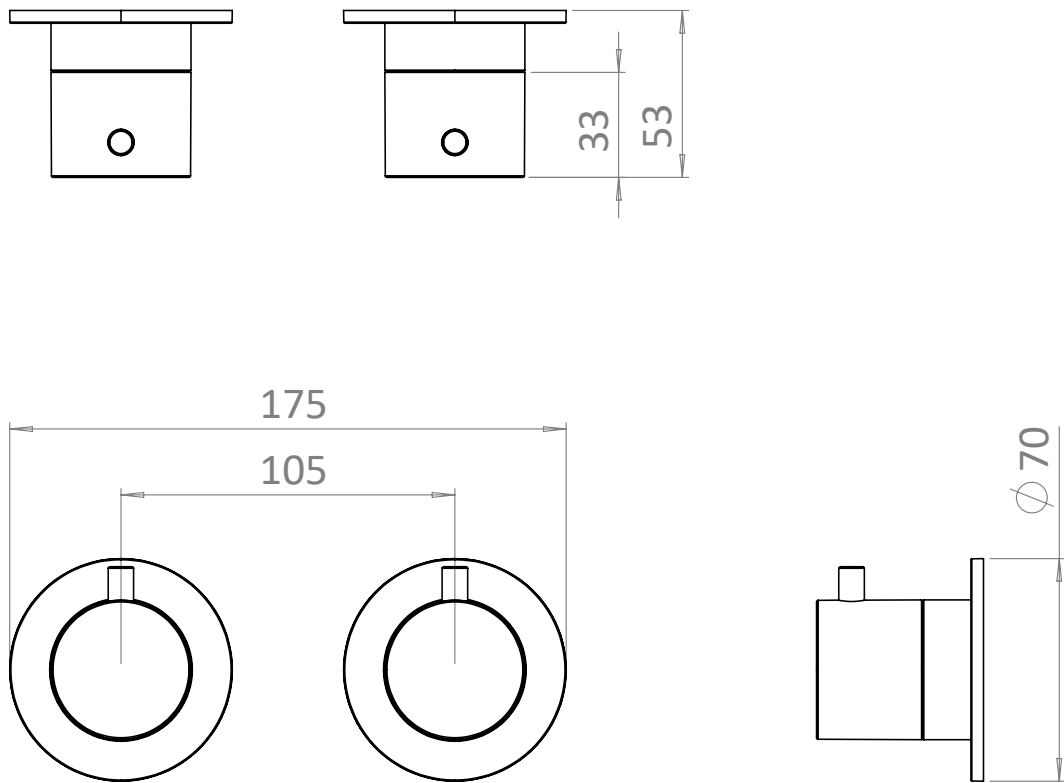
**DESCRIPTION**  
Module 2 Control Diverter Trimset  
Chrome

COLOUR	Chrome
MATERIAL	Brass
FINISH APPLICATION	Electroplating
INSTALLATION TYPE	Wall Mounted
WEIGHT	0.95kg
WARRANTY	15 Years

## TECHNICAL DIMENSIONS

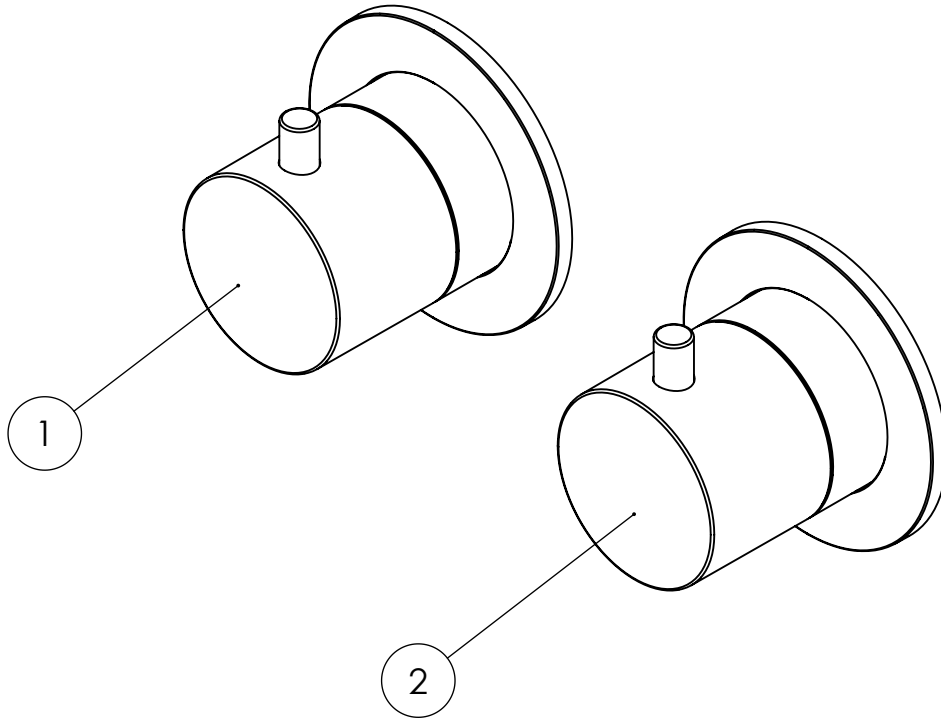
Dimensions in mm unless otherwise specified.

Tolerances (per material type) apply.



V10622

**SPARES DIAGRAM**



NUMBER	PART CODE	DESCRIPTION
1	E005058.021HESC	Mod Handle, Collar and Plate for Diverter Chrome
2	E005056.021HESC	Mod Handle, Collar and Plate for Thermostat Chrome

Only the parts labelled are available as spares.

V10622