

TECEloop plastic toilet flush plate for dual-flush system

Article number: 9240920

Colour: White

Exhibition samples: Yes

Description:

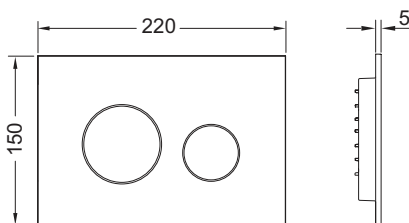
Flush plate for TECE cisterns, for front or top actuation. Very flat plastic flush plate, flush buttons with rubber inlays, including actuation rods and mounting materials. Suitable for flush-mounted installation in combination with toilet installation frame and spacing frame. Compatible with insert chute for cleaning tablets.

Dimensions (W x H x D): 220 x 150 x 5 mm

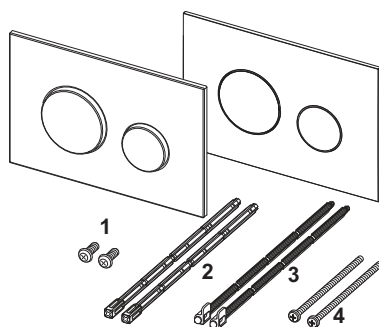
Sales data:

Product name: TECEloop toilet flush plate, plastic, for dual-flush system, white
 Commodity group: 904
 Product group: 2009040040

Dimensional drawings:



Spare parts:



- | | | |
|---|---------|------------------------------|
| 1 | 9820263 | Fastening screws |
| 2 | 9820022 | Actuation rods |
| 3 | 9820498 | "Easy fit" actuation rods |
| 4 | 9820497 | "Easy fit" attachment screws |