

# INSTALLATION INSTRUCTIONS FOR IP44 ILLUMINATED MIRROR CABINET



Before installing this product pay special attention to these instructions. It is recommended that this product is installed by a qualified electrician and current building regulations. These products can safely be fitted into Zone 2. See lighting regulations diagram.

1. Prior to commencing work isolate the power supply cable at the fuse box.
2. Check that there are no other concealed cables or pipe work in the intended installation area (check the entire area).
3. The mirror cabinet is mounted on the wall by means of two fixing screws.
4. Make sure that it is at the correct height and level. Using a suitable marker through the fixing holes mark the position of the holes on the wall.
5. Using the correct size drill bit for the wall fixing (please note that for certain wall types i.e. plasterboard walls, the wall fixings supplied are not recommended) drill holes in the marked locations. Place the rawl plugs into the holes. Secure using the correct fixings.
6. Then use desired plug and connect with the three-core exposed wires with those reserved on the wall.
7. Attach the mirror cabinet to the bar, open the cabinet door, and mark on the wall (b2) with a pencil through the backpanel hole (b1).
8. Remove the mirror cabinet, drill the fixing hole in the wall in the marked position, and place the expansion plugs.
9. Mount the mirror cabinet to the bar, and then tighten the screws on the backplane.
10. Finally, turn on the main switch, and test if the switch works normally.

## Cleaning Instructions

In order to maintain the quality finish of this product please do not use any abrasives or solvents when cleaning this product. Use only a damp cloth for cleaning this product.

Do not allow water to stand on any part of the mirror.

Please clean any spillage that may affect the quality of the finish as described above.

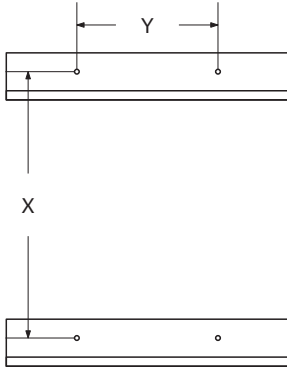


**SANICLASS**

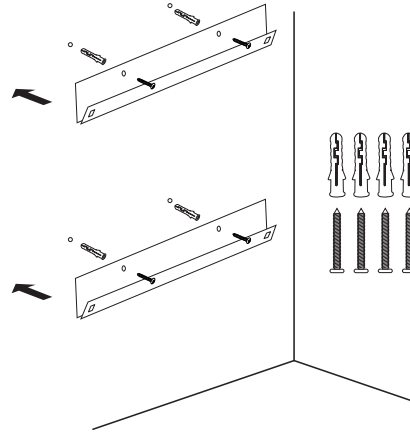


# Installation Steps

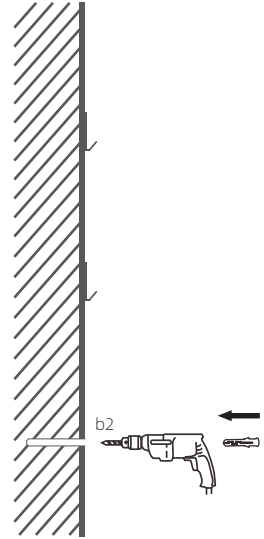
1



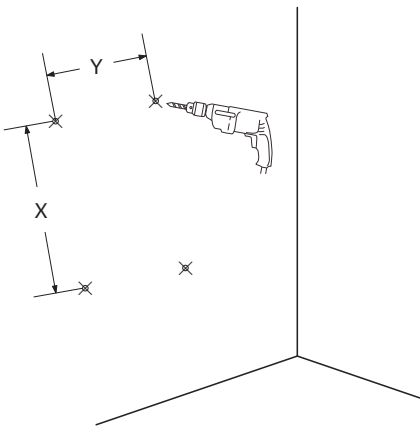
3



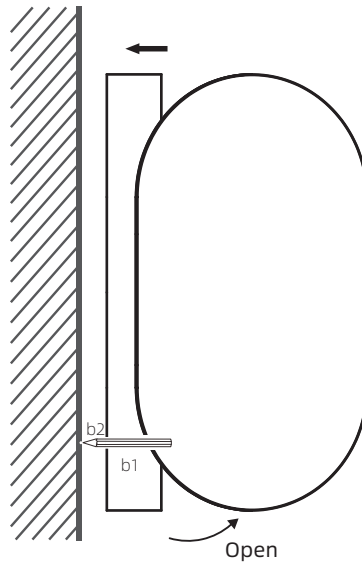
5



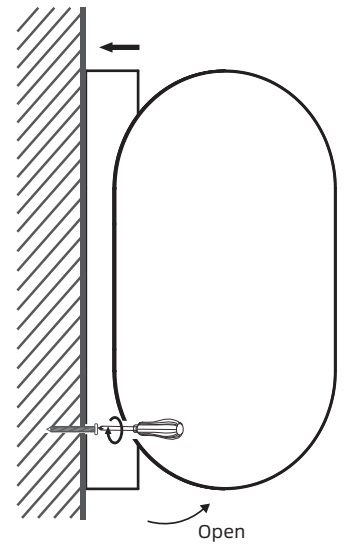
2



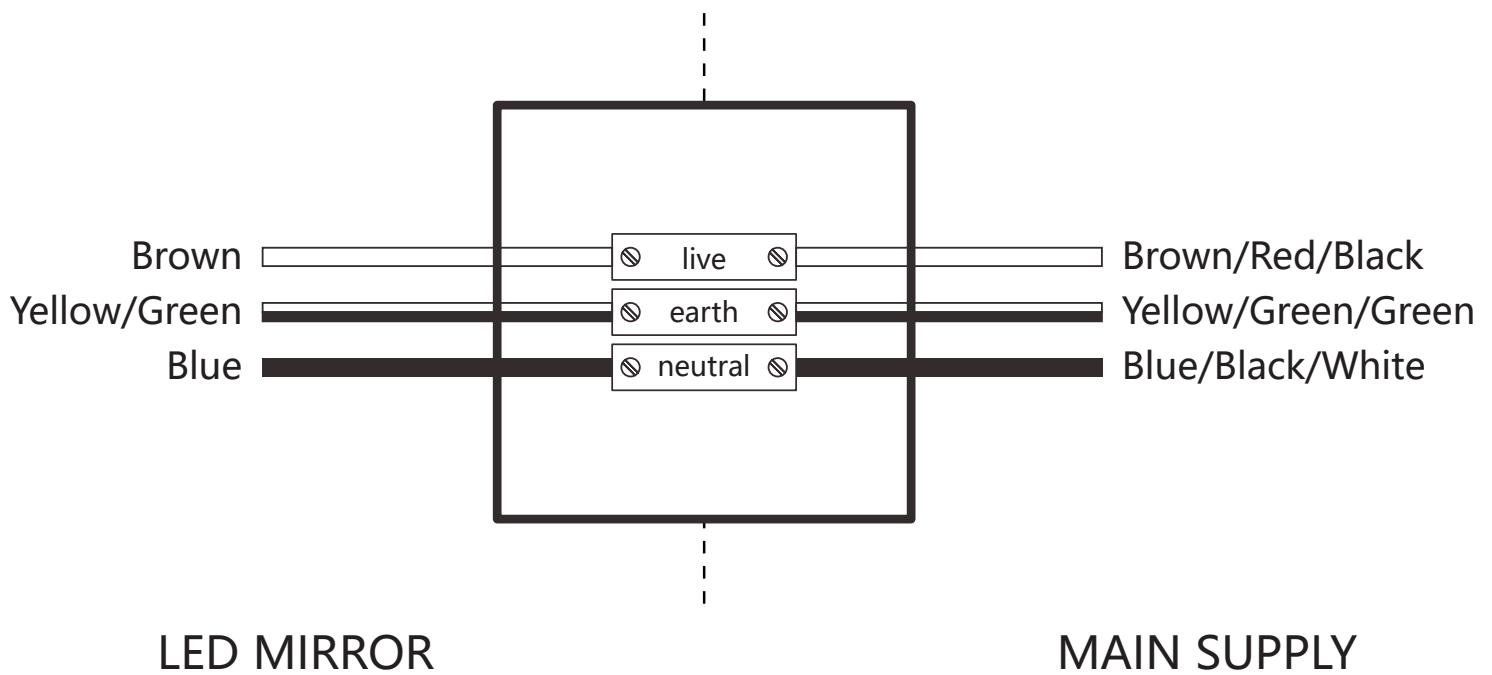
4



6



# Electrical Wiring



## Special Care

Care Should be exercised when cleaning this product. Although its finish is extremely durable, it can be damaged by harsh abrasives and cleaning pads. To clean, use a light, non-abrasive cleaning solution or cleaning polish.

