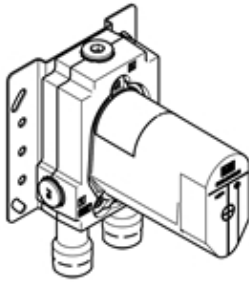


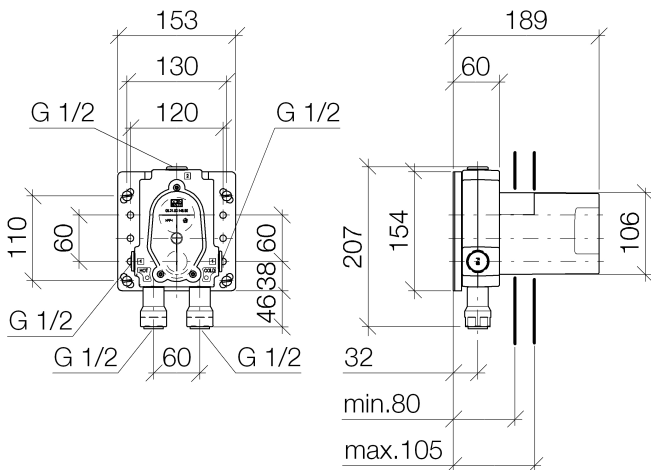
Shower - Concealed products
 Concealed single-lever mixer -
 Article number: 35 020 970 90



- lead-free, dezincification resistant
- 2x back flow preventer
- 2x supply connection 1/2" female thread (cold/hot), DN 15
- 3x outlet G 1/2"
- 2x integrated supply stop
- dust cover
- anti-water packing
- sound and thermal insulation
- gauge 60 mm
- Fittings group as per DIN 4109: 1
- This product can be combined with the xGrid track. For more details, see page ZZZ.



Dimensional drawing

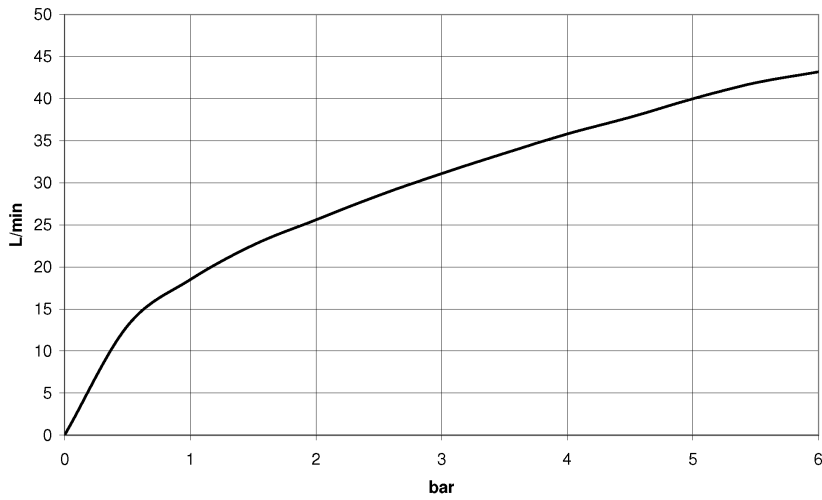


All details in mm / inch = mm x 0.0394



Shower - Concealed products
Concealed single-lever mixer -
Article number: 35 020 970 90

Flow rate chart



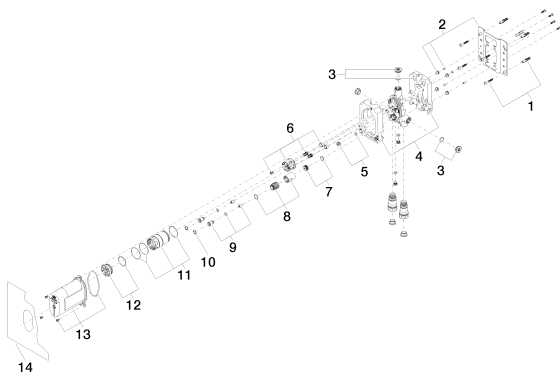
Shower - Concealed products
 Concealed single-lever mixer -
 Article number: 35 020 970 90



12 190 970 90
 Extension 25 mm -



12 191 970 90
 Extension 25 mm -



Spare parts list

No.	Item Number	Name	Quantity used
1	04 30 31 024 01 90	Attachment set 6 x 40 mm -	2
2	04 17 20 128 00 90	Holder 153 x 154 x 14 mm -	1
3	04 31 20 006 00 90	Plug 1/2" -	2
4	09 11 11 058 90	Miscellaneous 151,5 x 109 x 59 mm -	1
5	04 31 20 039 10 90	Seal set M12 x 1 -	1
6	90 18 40 151 00 90	Cartridge Ø 43,7 x 35 mm -	1
7	90 31 20 098 00 90	Plug Ø 20,3 x 10,2 mm -	1
8	90 17 01 189 00 90	Sleeve Ø 27 x 34,5 mm -	1
9	04 24 03 223 00 90	Pre-seal with built-in isolators Ø 15 x 33,5 mm -	2
10	09 16 01 014 90	Ring Ø 15 x 1 mm -	2
11	90 17 01 187 00 90	Sleeve Ø 48,7 x 74,3 mm -	1
12	04 31 20 100 00 90	Plug M42 x 1,5 -	1
13	90 21 02 148 00 90	Protective cap 133 x 140,2 x 76,2 mm -	1
14	04 14 03 155 00 90	Washer -	1