

Q \ Z W] K \ Q W

Xrni (nrni) (prni) (z) k|q w (ki zni) t|f(vl (srmx) (i mki knrvz) } znrnznvkn6 Onvzi tQ(|i ti |q w (zny) qru nv|{6

\prni (|i ti |q w (u) } { (k w u x t f (e d p zno) } t |q w (w |p r n t w k i t _ i |n z l) } |p v z d f (i (k w |i q r n i (q |p n a d j f i e d t t w |p r n |i x (q |p d (z i v o m i z e s i n g l e f l o e (Q p m |p w |i v l (k w i t (e i |n z l u q (q |p m j w f l i v l (|p w |i t (|p n z m v z n i m i } x x t a h i (e d p o w |i v l (k w i t (e i |n z l i j i t i v k n i (x z n i } z n i 4 j w |p (z w u |p r n |i v s (v z j w |p (z w u |p r n |i u q (|o d i (k w u j q i |q w j w a h z (r v z m i u x t r i d |p r n |i x i z n i v w |i } x x t a h i (i j i t i v k n i (x z n i } z n i (|p n |p r n |i q n z (e d t (v w |i) v k |q w (k v z z n k |t f (e d t i t w j n i v n k n i } i z y t o f i t n o n -r m) z v (-i t -n i (w j w |p o w |i v l (k w i t (m m h { e d (-n z f (q u x v z l i v |l p i |i t t x q n e o r k i s f l u s h e d t h o r w) o p t f (i r n z (q |i t i |q w (w i -v d i l i u i o a q o (|p r n k n z i u d i l d k {6

U q w } u 7 U i , q u } u (v z s q o (z n i } } z n

\prni (|i x (i z n i } d j j t r i v z (q |i t i |q w (e d p (u q w) u (v x n z i |q o (x z n i } } z n i v i q i z d \p m f i z n i f i t t e d w i t h a q u a r |n z l) z v (k n z i u d i l d k (k i z l z h o m e p d a p (x z w i d e s a g o o d f l o e (z i |m e d p (-n z f (u w w |p (u w r n u n v |d p r n |i , q u } u (e i |n z (x z n i } } z n i (e j i z o w |n i u i q (k w i t (e i |n z (q (v z u i t f (i } x x t a h i (i j i m e m v (i v l (j i z l d v z (q |i t i |q w (e p n z m |p r n |i u q (x z n i } } z n i m k n m h { (e j i z l (x z n i } } z n i z n i } k q o (-i t e s h o u l d b e f i t t e d .

I x x z w i t f

I t t (x z w) k (i z n i i v) n i k } z n i } { q o (u i |n z d j t (|m i |n i (i v l (i x x z w r n i } } v l n z |p r n _ |n z l f i e { |k p m u m i v l (k w u x t f (e d p (z n y) q r u n v |{ (w |p z d p (|i v l i z l (= < 9 B A A > (e p n z n i x x t a j j t r o

X z n x i z i |q w (v l (j f n i e (z n y) q r u n v |{

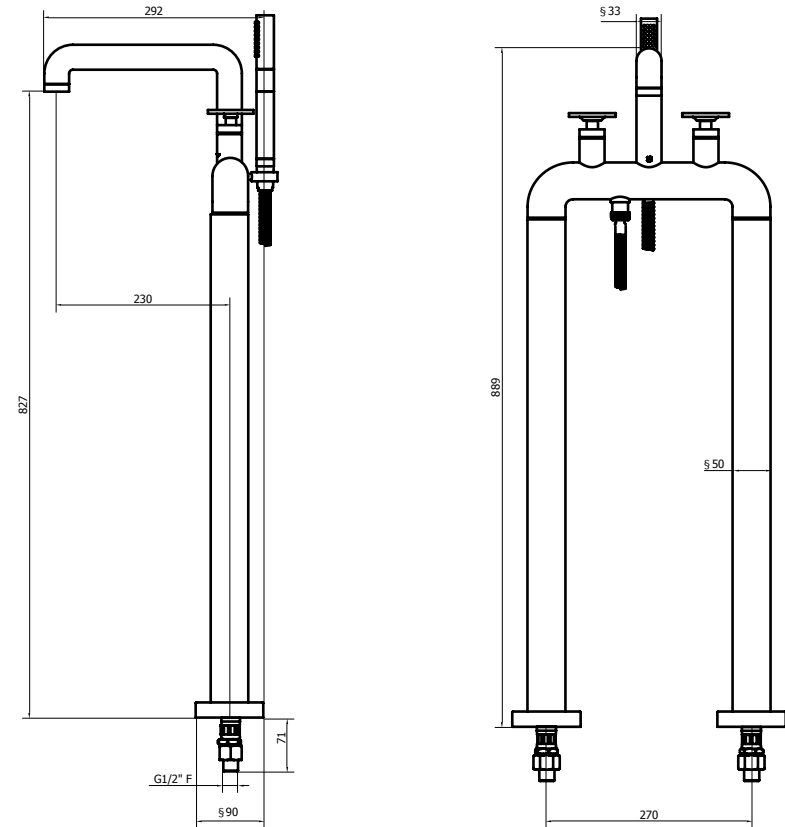
\prni (|i x (i z e s i n g l e f l o e (w |p r n |p w |i v l (k w i t (e i |n z l u q (q |p m j w f l _ |n z l j f n i e (z n y) q r u |p i (e p n z m |p r n |p w |i e i |n z (q (i } x x t a h i (z w u (i |i v s (i v l (k w i t (z w u |p r n |i u q (v w (z n i) z v (-i t -n i i z e f i t t e d o n b o t h h o t a n d c o l d p i p e s a s c l o s e a s p o s (d j t r i v |p r n |i x d |p r n i m i z n i v w |i } x x t a h i 6 _ p n z n i k w u j q i |q w j w a h z (i z e f i t t e d i t i s o n l y n e c e s (i z f (|w |i p) t o f f t h e i n c o m i n g m a i n s a n d t u r n t h e b o i l e r o f f a n d n o n r m) z v (-i t -n i (i z n i v w |i z n y) q r n i 6

_ I Z V Q O

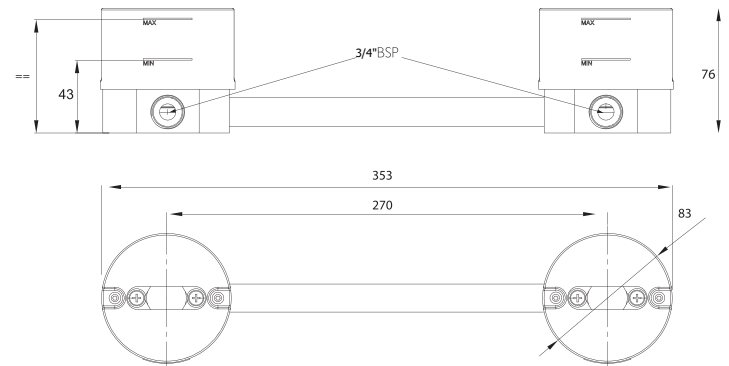
J n m v z n i } |i t t y o (|p r n |n e (u q n z d (q (n i (m v |q t |p i |f v) (|p v z o u g h l y f l u s h t h r w) o p (|p m { } x x t f (x q n i (q v z l n z (v z n u w r n i v f z n u i q a q o (e i z n i v i l n z (v z w |p n z (q u x) z d q n i 6 N d j z n i v k i z z f w) |p d (e q u x t r i z v k n i) z n i k w) t i (k i } { n i k z n y } t n u { (v z l i u i o n i v |p r n e v z s q o (w |p r n |i q n z 6

\prni (|p o y (|p i -n i j m m v (x z n x i z n i (r v z f w) z (o) d i v k n i f w) (u) } { (m n z k d m i) } m k i z n i |i t i (q m i 6 _ m i v w w (i k k n x |z n i x w w (d j d j f (r v z i v f (x z n y } t n u { (|p i |u i f (w k k) z (|p z n y) o p (q k v z z n k | q (|i t i |q w 6

L Q W [Q W]

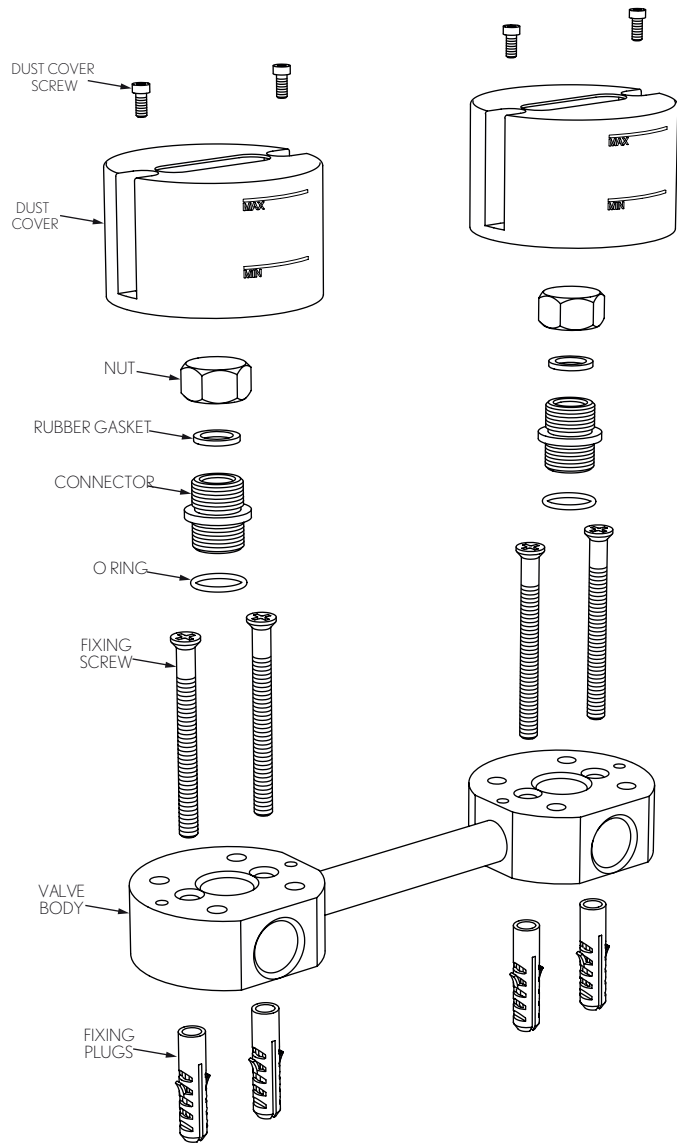


] J < : L K 7 7]



] S5: : Z W] O P

INSTALLATION



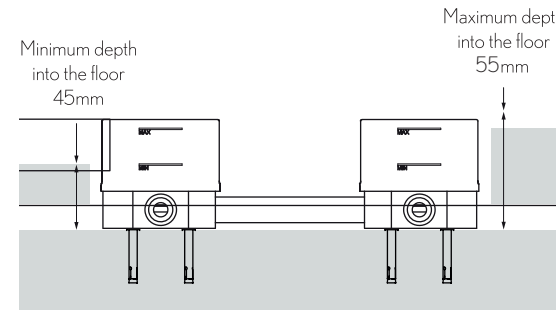
INSTALLATION

First shut off your water heating system then, with your mains stop cock closed, open the lowest hot and cold taps in the house and allow to run until the cold storage tank and pipes are empty (the hot water storage cylinder always remains full). Fitting isolating valves to the inlet feeds is recommended for ease of maintenance!

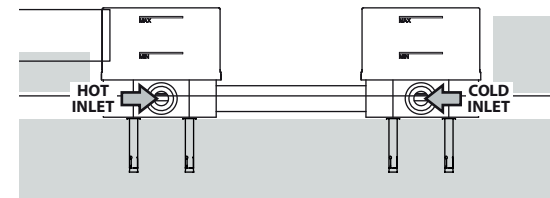
INSTALLATION

Remember to turn off the mains water supply before connecting to any existing pipe work.

Prepare the floor by making a cavity ranging from 83mm to 146mm in depth within a solid floor.
OR
 Prepare the floor by securing supporting battens ranging from 83mm to 146mm in depth within the floor cavity.
 Ensure the supporting battens are suitable to take the weight and fixing method of the valve.
 Secure the valve body using the anchor bolts supplied.

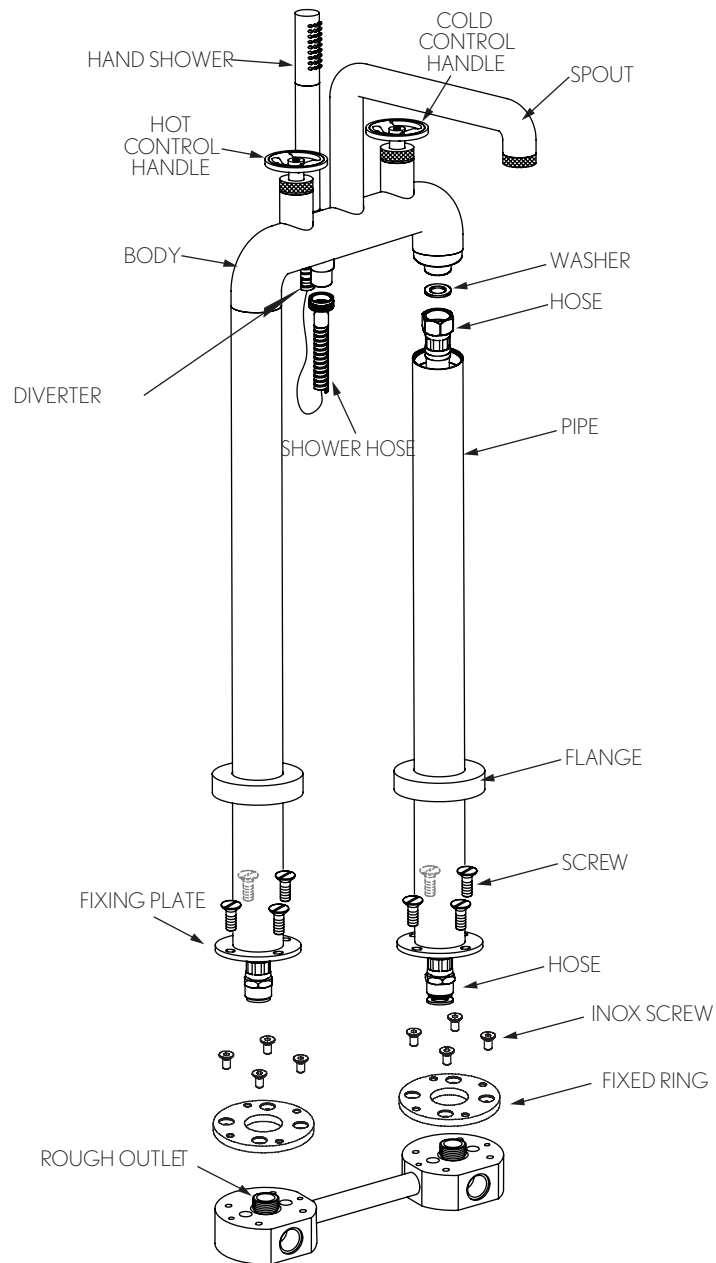


Connect the **hot** and **cold** water supplies to the 3/4" BSP fittings at the bottom of the valve body
 Turn on the mains water supply and check for leaks.
Do not remove the plastic covers until all of the checks have been completed.
 Once satisfied there are no leaks **turn off** the mains water supply.



Continue the installation by following the installation instructions for your chosen trim.
Do not turn on the mains water supply until the installation is complete.

INSTALLATION



INSTALLATION

Shut off your water heating system then, with your mains water supply **turned off**, open the lowest hot and cold faucets and allow to drain until the pipes are empty
Identify all components before fitting.

Before installing the floor standing legs, it is necessary to fix the **UK-422ROUGH** first. Remove the fixed ring from the bottom of the legs, and slide the two flanges over the legs. Then re-assemble the fixed ring to the bottom of the legs.

Once done connect the top of the hoses to the body of the tub filler. Then carefully pass the flange over the top of the two pipes taking care not to mark the surface finish.

Attach the pipes to the body of the tub filler. Connect the hoses that protrude from the bottom of the pipe to the outlet positions on the rough hot to the left and cold to the right side.

Make sure the connection is water tight. Then secure the pipe to the fixing holes on the rough using screws provided. Slide the flange down carefully to cover the fixing plate.

To test the operation of the diverter please move the shower hose and diverter assembly down. The diverter will return to the bath fill position when the product is turned off or pushed back up

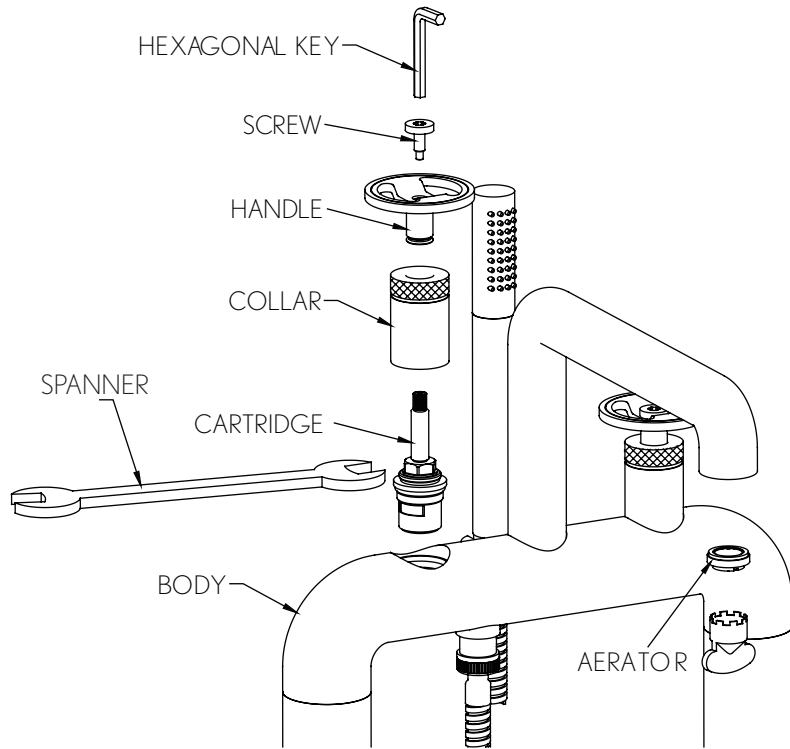
NOTE: DO NOT REMOVE THE WHITE TEMPLATE FITTED TO THE LEGS UNTIL INSTALLATION IS COMPLETE



Carefully clean the water pipes before installation

Having first checked all new connections, turn on the mains stop cock, close all taps except the new mixer and as the system starts to refill check for leaks.

Once you have satisfied yourself that there are no leaks, switch on the water heating.



CLEANING THE CARTRIDGE

The concealed cartridge should give trouble free service, but in the event of any problems, servicing is straight forward.

To remove cartridge:

NB First shut off the water supply to the tap.

With your water supply , carefully remove the cover cap and using a hexagonal key loosen the screw but do not remove. Using a correct size spanner unscrew the retaining nut and remove the cartridge taking note of it's orientation.

Wash the cartridge with clean running water, making sure any trapped debris have been removed.

Dry and lightly grease the seal, (only use silicone grease).

Replace the cartridge followed by the nut, cover and handle.

CLEANING

The chrome plate we use on our taps is very durable, nevertheless care should be taken when cleaning them. They should be cleaned only with warm soapy water followed by rinsing with clean water and drying with a soft microfibre cloth. Uncoated polished brass and all other living finishes are intended to change over time and are excluded from the finish warranty. All finishes are vulnerable to acid attack and some strong substances such as household cleaners, disinfectants, denture cleaners, hair dyes, wine making and photographic chemicals can cause the surface to go black or peel.

PRODUCT COMPATIBILITY

Whilst the majority of Crosswater products are compatible, care should be taken on product selection prior to ordering to avoid installation issues. Technical drawings are available on our website or on request.

ERRORS & OMISSIONS

In the interest of continuing design and development and product improvement, Crosswater reserve the right to change colour, designs and product specifications without prior notice.

PRODUCT GUARANTEE

For full details of our guarantee please refer to our website. This guarantee does not cover damage during fitting, misuse or inappropriate cleaning or consumable goods. Care should be taken in hard-water areas to ensure the cartridge is regularly cleaned.

This product should only be fitted by a qualified plumber to NVQ (National Vocational Qualification) or SNVQ (Scottish National Vocational Qualification) Level 3. Should the installation be completed by a non-qualified person then the guarantee may be considered invalid.

For a claim made under our warranty written certification of your installers credentials can be required. For further information or to find a qualified installer in your area please visit the Institute of Plumbers website - www.iphe.org.uk

QUALIFICATIONS

At present, to be a plumber you need to follow the National Vocational Qualification (NVQ) route (Scottish National Vocational Qualification - SNVQ - in Scotland). These qualifications are made up of theory and practical work in the classroom/purpose built training facility and work based experience with a working plumber. Colleges should help students find a work placement, although many students organise it themselves.

The S/NVQ qualification works in levels. All recently qualified plumbers should hold S/NVQ Level 2 as basic with Level 3 as the preferred level. Level 2 will give you the foundation you need for a career in plumbing and teach you domestic plumbing to a satisfactory level. Level 3 is more comprehensive and deals with domestic, commercial and industrial plumbing along with aspects such as gas - if you want to one day set up your own business, this is the level to reach. The Institute of Plumbing and Heating Engineering, and the industry as a whole recommends that all plumbers reach a minimum of Level 3.

Reaching Level 3 has other advantages. The Institute runs a Master Plumber Certificate, which only those attaining Level 3 or equivalent can reach as long as they have the relevant experience as well. Those with S/NVQ Level 3 can (once in membership with the Institute for five years as a Member MIPHE) gain Engineering Technician EngTech status with the Engineering Council (UK).

For any further information please contact
Crosswater on: **0845 873 8840**

Or visit our website at **www.crosswater.co.uk**

The manufacturer reserves the right to make
technical modifications without prior notice.