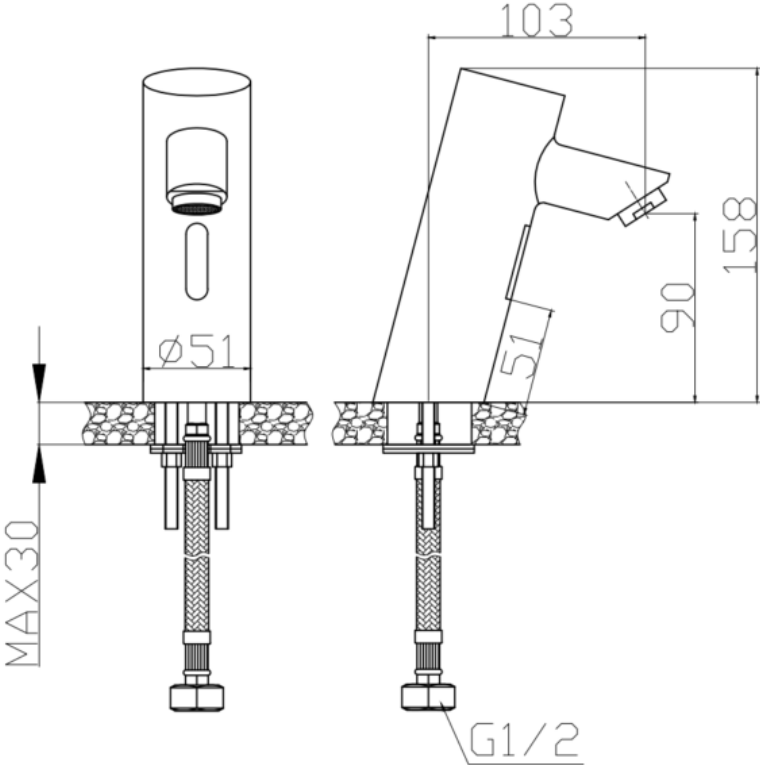


SAVE – INFRA-RED TAP

SKU 156293



DIMENSIONS:



Type of Mixer	Infra-red (batteries or adaptor)
Finish	Chrome
Material	Brass
Output Pressure 3 bar	11 l/min
Pop-up waste	No
Aerator	No water saving function
Type of connection	Universal: 1/2"
Cartridge	Yes – brass
Return valve	n/a
Handle	No
Taphole Ø	Ø 35 mm
Waste plug	No
Energy saving	No
Mounting	Top/tap hole
Certificate	(CE EN817)
Weight	0.76 kg
Warranty	5 years
Extras	Included: flexibles and fixations, control box instruction/installation manual, Excluded: batteries (4 x AA alkaline)