

PRODUCT DATA SHEET



PRODUCT CODE

LU8070

RANGE

CABINET

DESCRIPTION

Lustro LED Cabinet Single Door

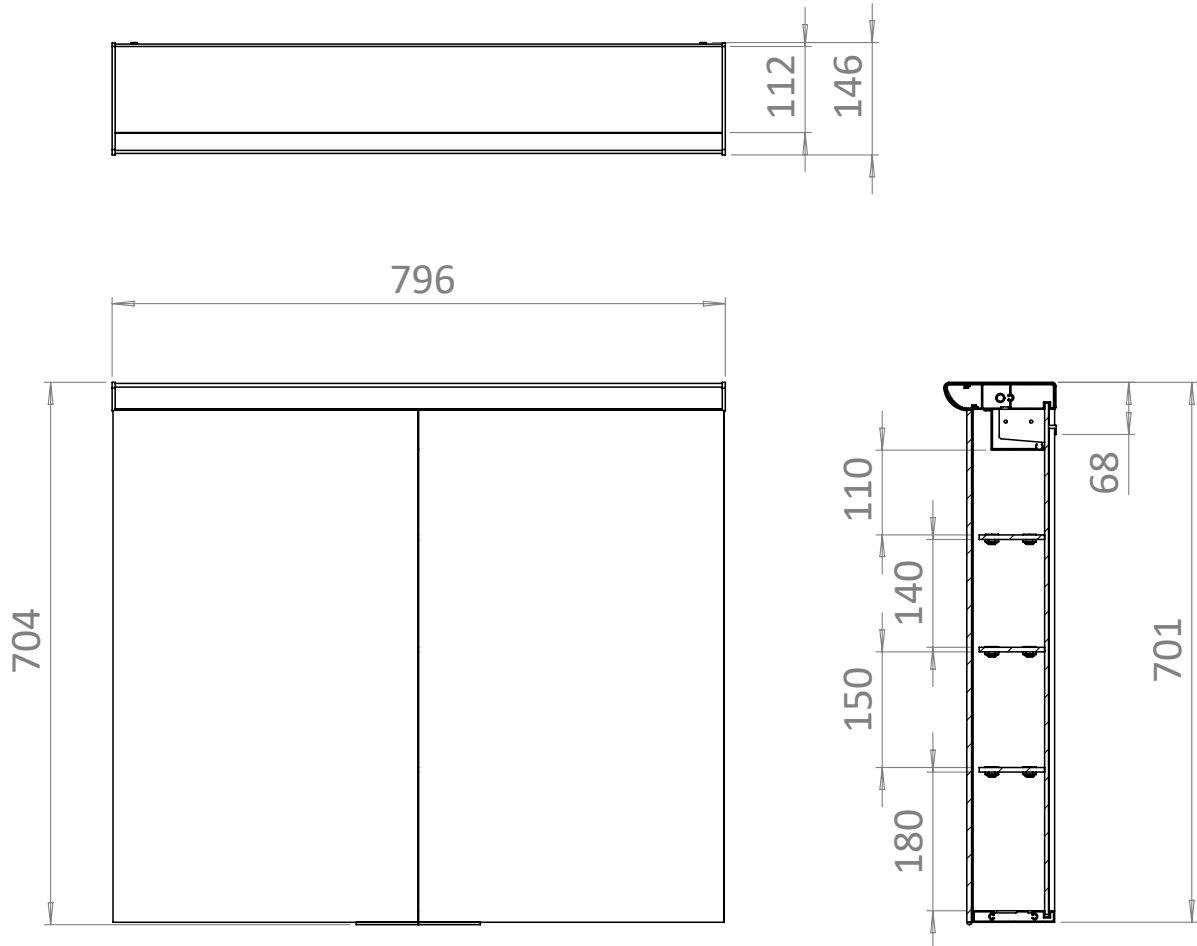
800mm x 700mm

COLOUR	Mirror Glass
MATERIAL	Glass & Aluminium
HANDLING/INSTALLATION	Wall Mounting
LED WATTAGE	4.8W
DRIVER WATTAGE	6W
TEMPERATURE CHANGING COLOUR RANGE (K)	Yes 2700 - 6400
LUMINOUS EFFICACY (LM/W)	95
COLOUR RENDERING INDEX (RA)	85
CHARGING SOCKET (MA)	10000
ENERGY RATING	F
SWITCH TYPE	IR Sensor
IP RATING	44
NUMBER OF DOORS	2
SHELF QUANTITY SHELVES ADJUSTABLE	3 Yes
DIMMABLE	No
SHAVER SOCKET INCLUDED	Yes
LIGHT TYPE	LED
CABLE LENGTH	1050mm
STANDARDS	EN60598 EN60592 EN62493
DOP CLASS	01 - 2017
WARRANTY	5 Years

TECHNICAL DIMENSIONS

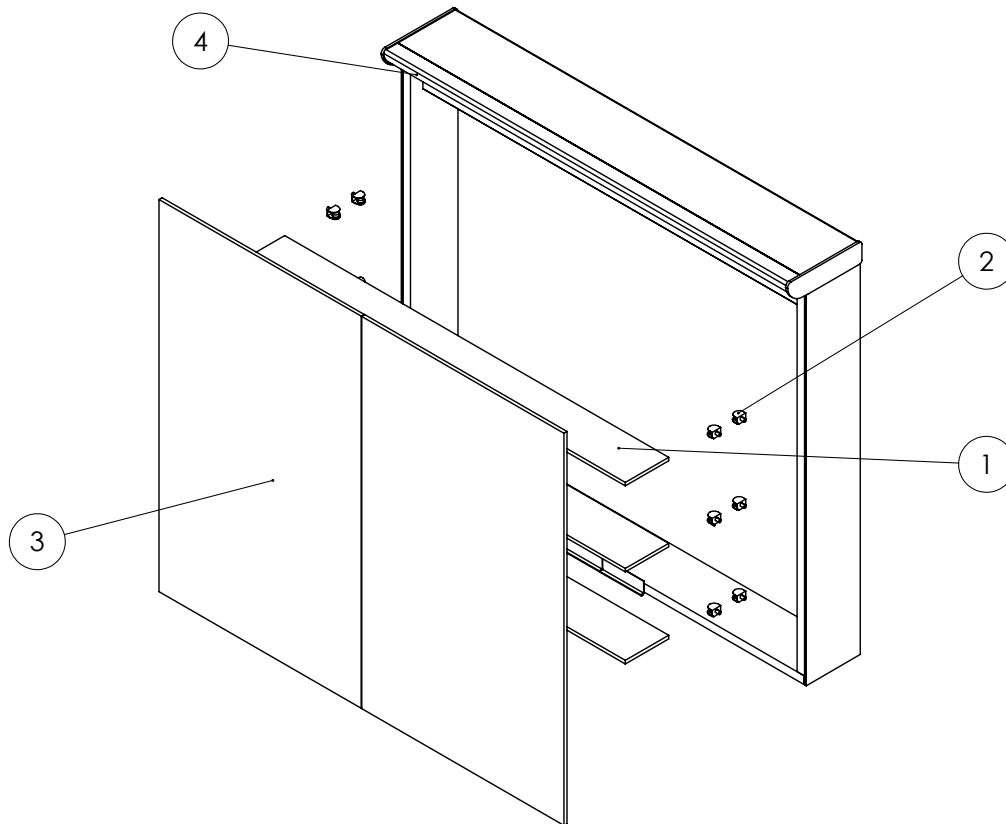
Dimensions in mm unless otherwise specified.

Tolerances (per material type) apply.



V10522

SPARES DIAGRAM



NUMBER	PART CODE	DESCRIPTION
	MIRRORFIX	Fixing screw pack for keyhole mirror fixing
1	LU-80SHELF	Glass Shelf x1 for LU8070
2	LU-SHELFSET	Glass Shelf Supports x12 LU Cab
	LU-FIXKIT	Install Kit for LU Cabinets
3	LU-80DOOR	Mirror Door for LU8070
	LU-HANDLE	Handle for LU Cabinets
4	LU-80PLEX	Acrylic for LU8070
	LU-80LED	LED Strip for LU8070

V10522