

CARE & MAINTENANCE

CLEANING THE VALVE

The concealed ceramic valve should give trouble free service, but in the event of any problems, servicing is straight forward.

To remove the valve:

Pull off the handle assembly untightening the wall plate. Using the correct size spanner unscrew and remove the valve. Wash the ceramic valve with clean running water and make sure that any trapped debris has been removed. Dry and lightly grease the seal (only use silicone grease) and replace the valve followed by the handle assembly.

CLEANING THE PRODUCT

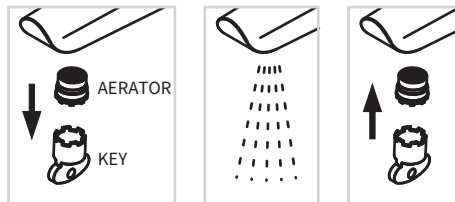
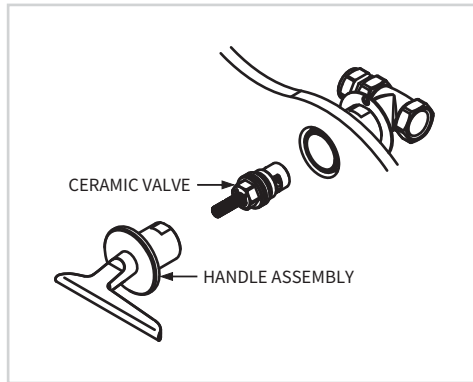
The material we use in our taps is very durable, nevertheless care should be taken when cleaning them. They should be cleaned only with warm soapy water followed by rinsing with clean water and drying with a soft cloth. All finishes are vulnerable to acid attack and some strong substances such as household cleaners, disinfectants, denture cleaners, hair dyes, wine making, and photographic chemicals can cause the surface to go black or peel.

Note: Never use abrasive detergents or disinfectants or those containing alcohol, hydrochloric acid or phosphoric acid.

CLEANING THE AERATOR

Before use: Unscrew the aerator and allow the water to run freely until all debris is removed. Screw the aerator back into the spout once all impurities have been flushed from the water supply.

Periodically: Using the key provided in the box, unscrew the aerator from the spout and rinse with clean running water. Once all loose debris and dirt has been cleared, replace the aerator into the spout and tighten with the key provided.

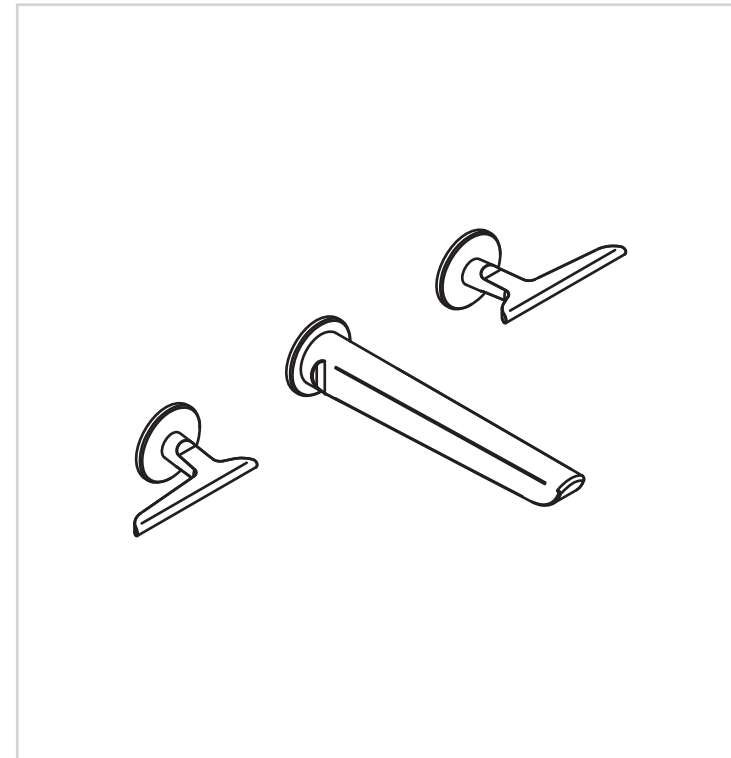


FOILE

Basin Monobloc With No Pop-Up Waste

PRODUCT CODES:

FO130WNC
FO130WNF
FO130WNM



i

IMPORTANT INFORMATION BEFORE YOU START

Please read carefully and keep this information for further reference.

All products manufactured and supplied by Crosswater are safe provided they are installed, used correctly and receive regular maintenance in accordance with these instructions. If you are in any doubt about your ability to install this product safely you must employ the services of an experienced qualified plumber.

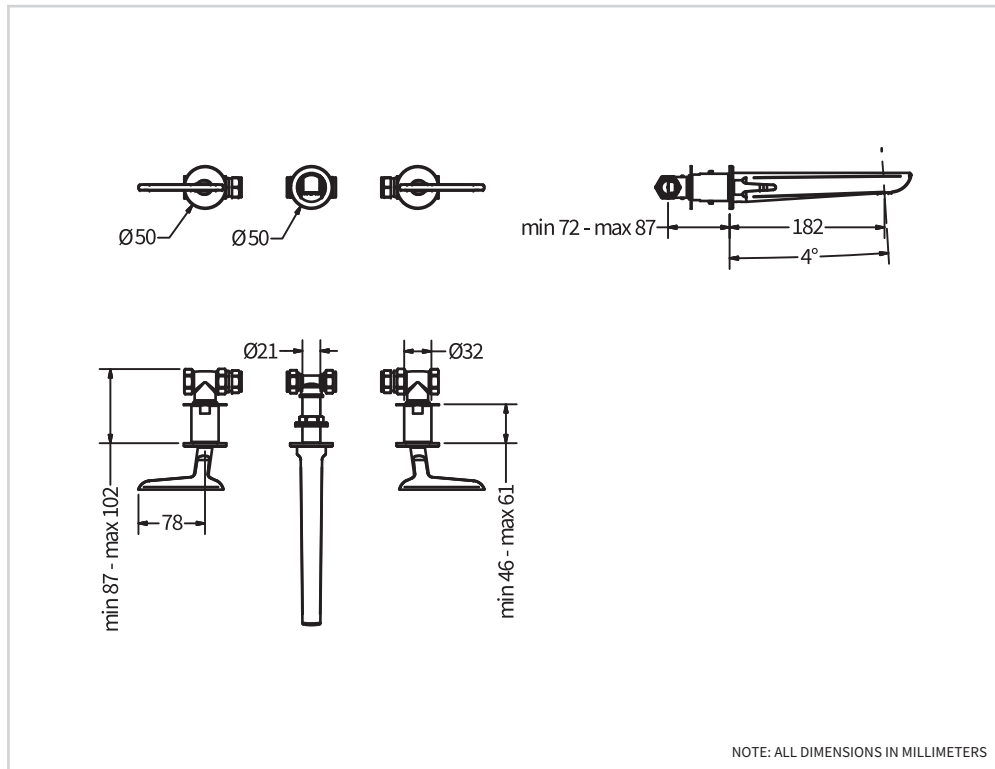
These fittings need to be installed in accordance with, and meet the requirements of the Water Supply (Water Fittings) Regulations 1999 and Scottish Byelaws 2004.

Operating pressure range: Minimum 0.2 bar, Maximum 5.0 bar. Maximum static pressure: 10.0 bar.
Note: Nominally equal (balanced) inlet supply pressures are recommended for optimum performance with mixer taps designed to comply with BS EN 200 for single taps /

combination taps and BS EN 817 for single lever mixer, for water systems of type 1 and 2 general technical specifications and to be used within systems designed to BS 6700. BS 6700 recommends the temperature of stored water should never exceed 65°C.

A stored water temperature of 60°C is considered sufficient to meet all normal requirements and will minimise the build up of lime scale in hard water areas. If the fitting is installed at low pressure (tank fed), then the minimum distance from the highest installed position of the outlet to the underside of the cold tank should be at least 2 metres to ensure adequate performance.

DIMENSIONS



i

IMPORTANT INFORMATION

Please read carefully and keep this information for further reference.

These taps and mixers should be installed in compliance with the Water Regulations. Where the supplies are unbalanced, i.e. Hot water from cylinder tank / cold from the mains, approved check valves must be fitted in the supply pipes. For further details contact your Local Water Authority.

BEFORE YOU START

Important Pre-Installation Notes

Remove all packaging and check the fitting for damage before starting installation.

Warning: Before starting any installation please consider the following: before drilling into walls, check that there are no hidden electrical wires, cables or wate supply pipes. This can be checked with the aid of an electronic detector.

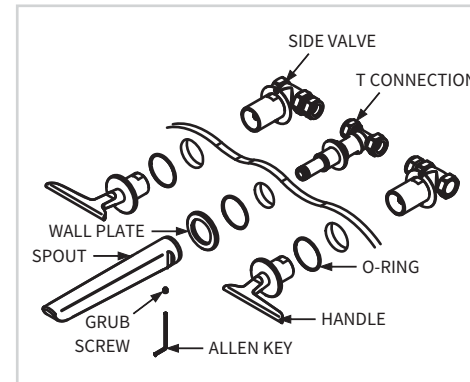
If power tools are used do not forget to:
Wear eye protection
Unplug equipment after use

Important: Remember to turn off the mains water supply before connecting to any existing pipe work. Fitting isolating valves to the inlet feeds is recommended for ease of maintenance.

Warning: Before installing the new fitting it is essential that you thoroughly flush through the pipework in order to remove any remaining swarf, solder, etc. Failure to carry out this procedure could cause problems or damage to the workings of the fitting.

Take care when handling the 'flexible connecting pipes', do not bend, twist or crush them. Only tighten the pipes by hand. Do not crush or kink the shower hose, this could damage the hose and cause leaks.

INSTALLATION

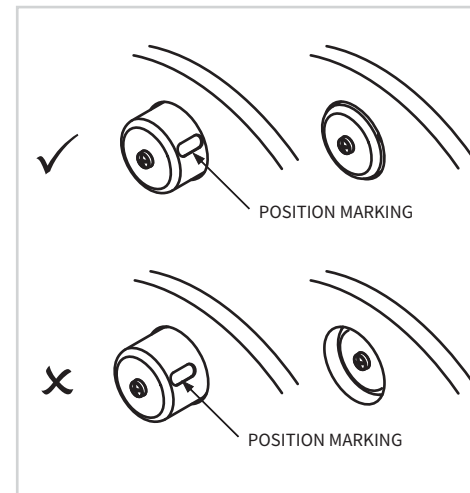


A recess must be made in the wall to accommodate the side valves and connections. Place the side valves in position (between 46 and 61 mm from the face of the tiles to the back of the flange), check to see if any alterations are needed to the existing pipe work. You can confirm the distance on the plastic valve covers' position marking: the front of the tile should be placed between the edges of the marking. Secure the valves to rigid connections or to the wall support and align with T connection.

Connect the water supply side valves with hot to left side valve and cold to right side valve (when viewed from front). Place the tiles, with Ø22 and Ø33mm holes for the spout and handles, respectively.

Fit the spout into the 'T' connection, confirming the spout exit is aligned downwards vertically. then secure it firmly with set screw.

Remove plastic valve covers and to secure handle assemblies, tighten them to side valves. Handles should be pointing to the sides when taps are closed.



ATTENTION

Having first checked all new connections, turn on the mains stop cock, close all taps except the new mixer and as the system starts to refill check for leaks. Once you have satisfied yourself that there are no leaks, switch on the water heating.