



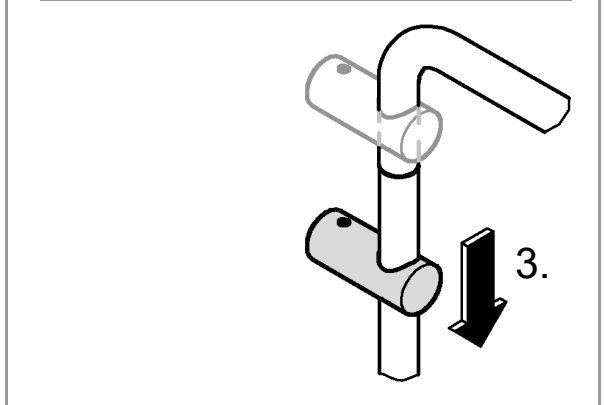
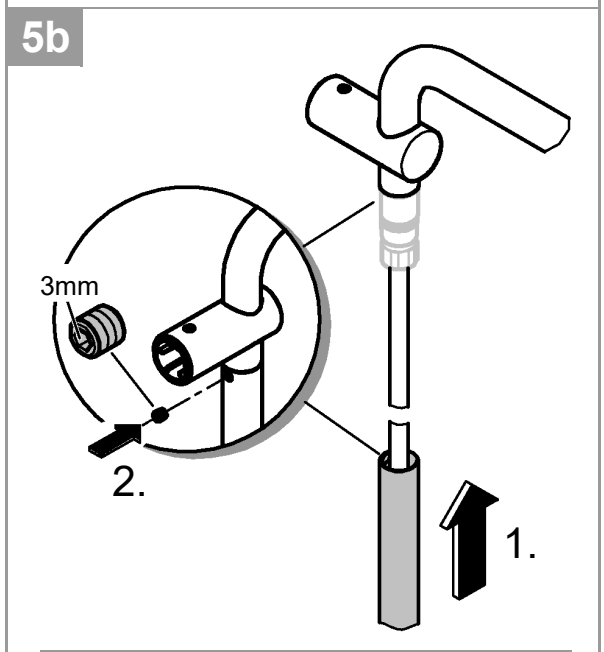
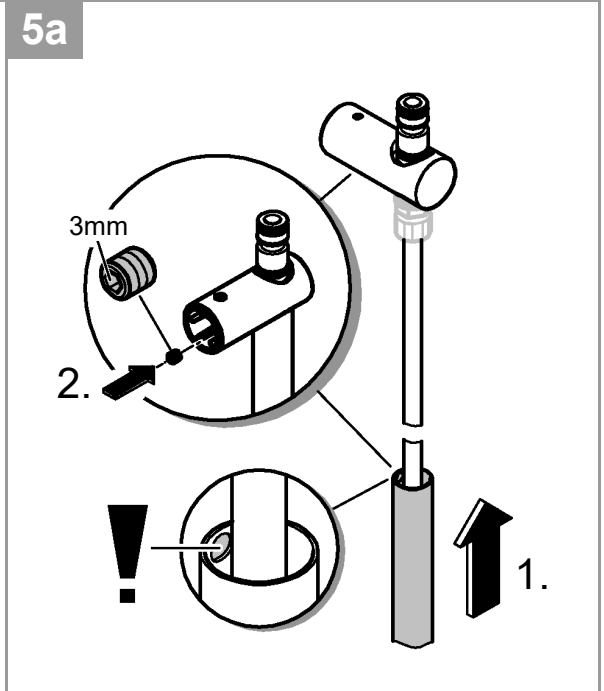
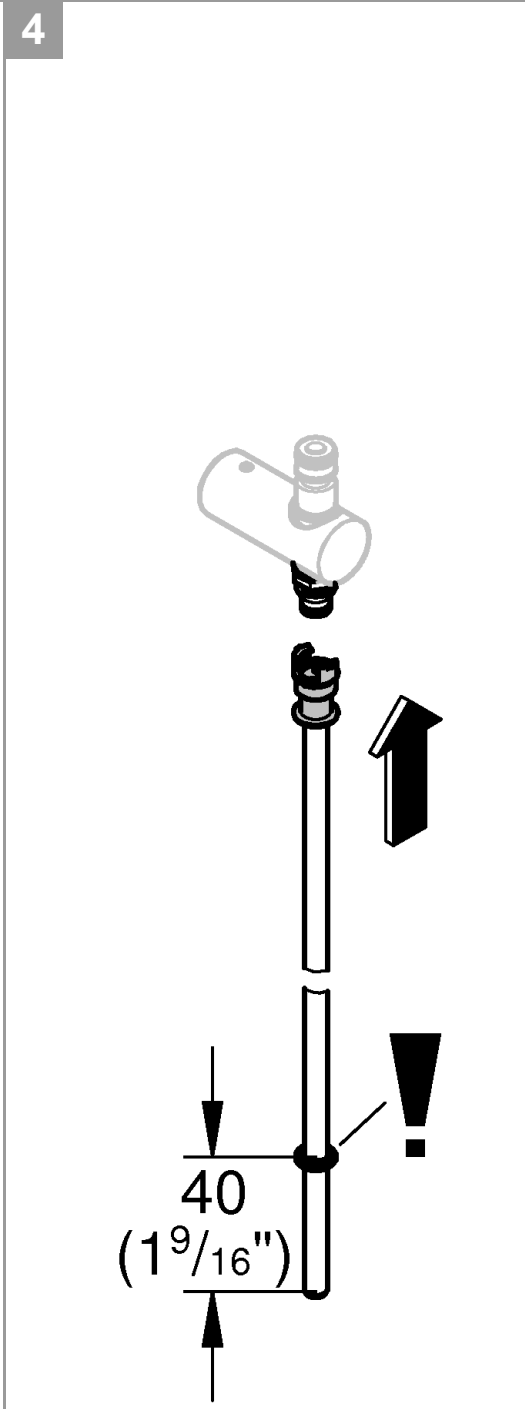
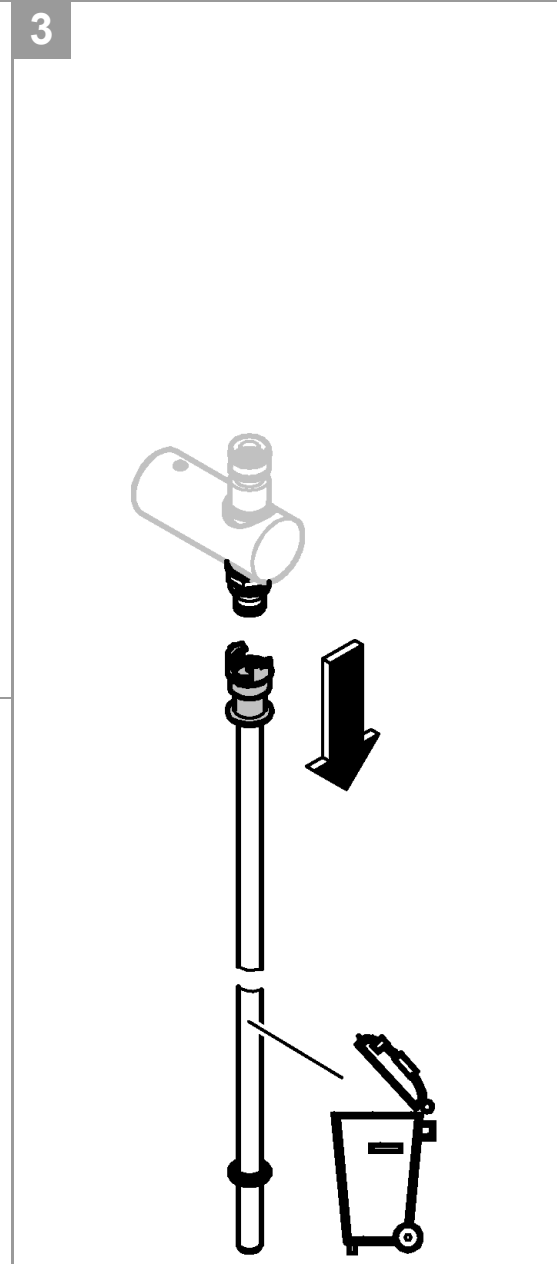
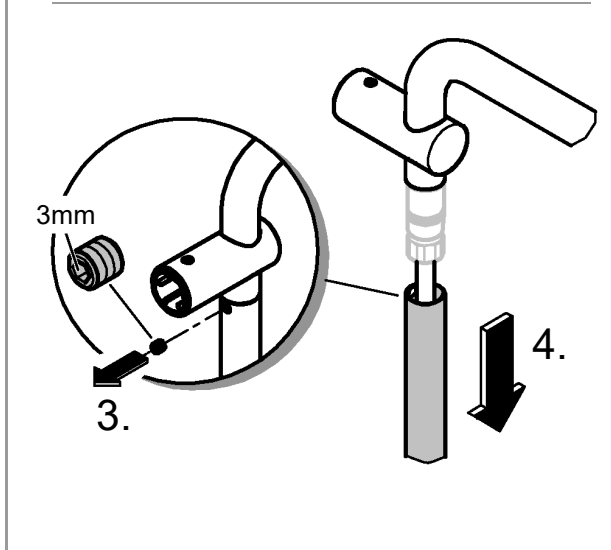
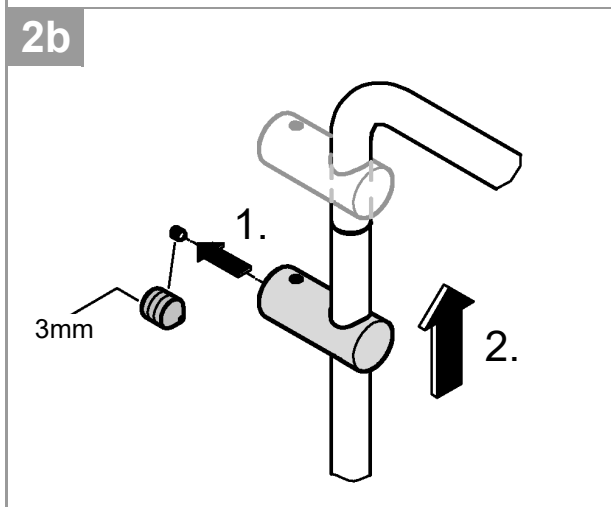
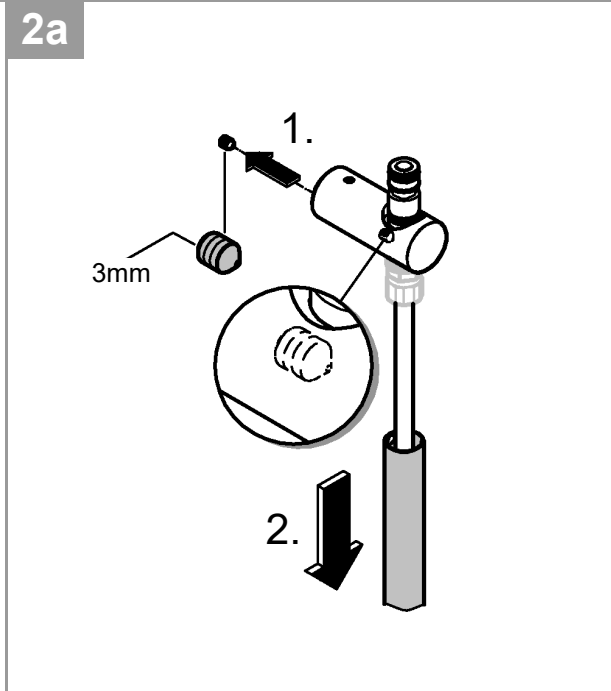
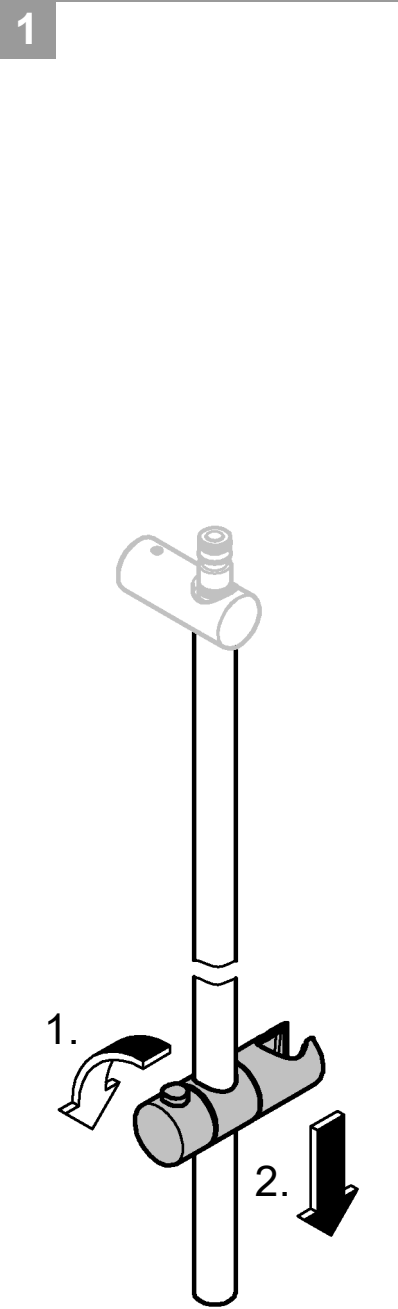
DIN
1988

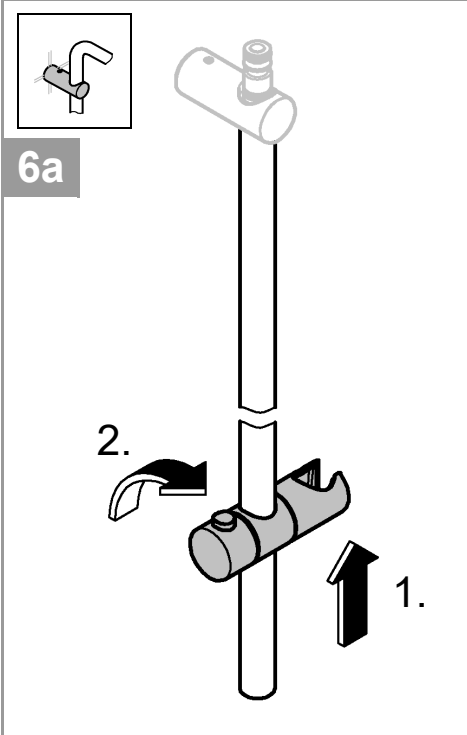
DIN EN
806

Pure Freude
an Wasser

GROHE

48 514
48 515



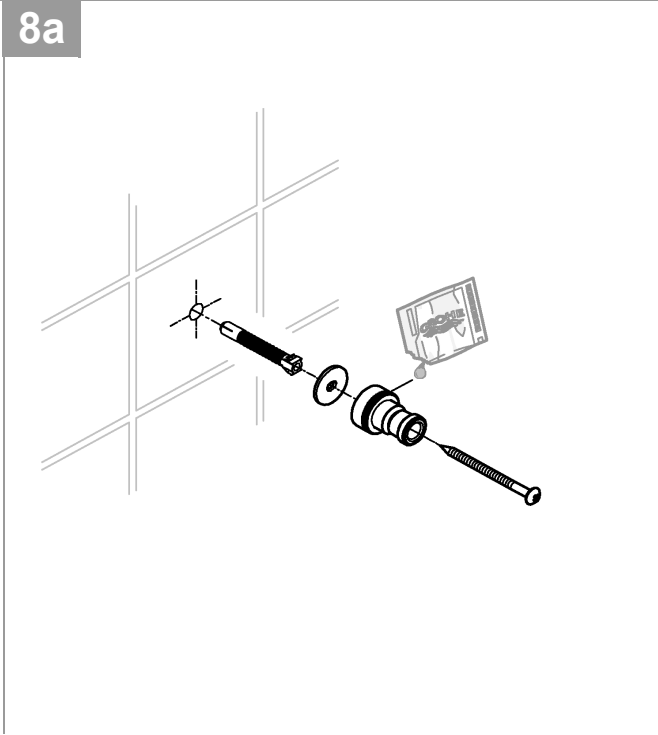


6a

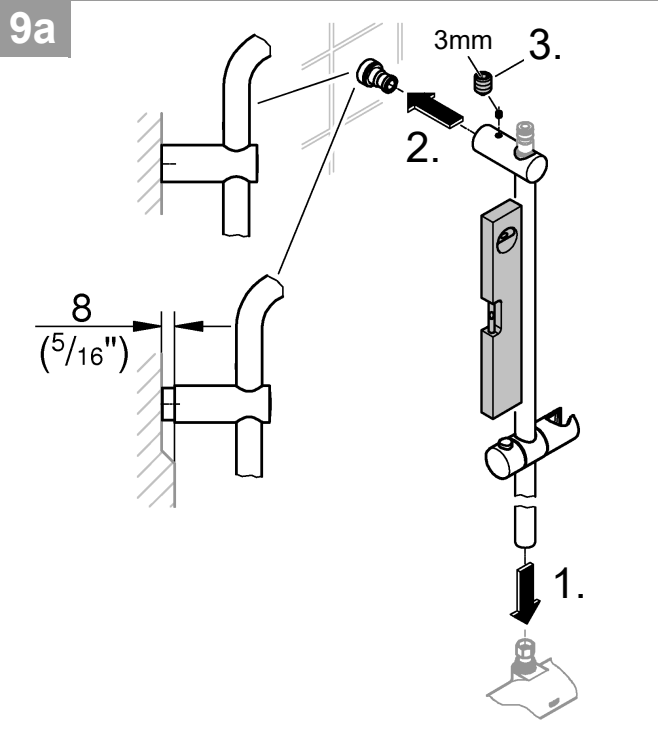
7a

$\text{Ø}6$
($\text{Ø}1/4''$)

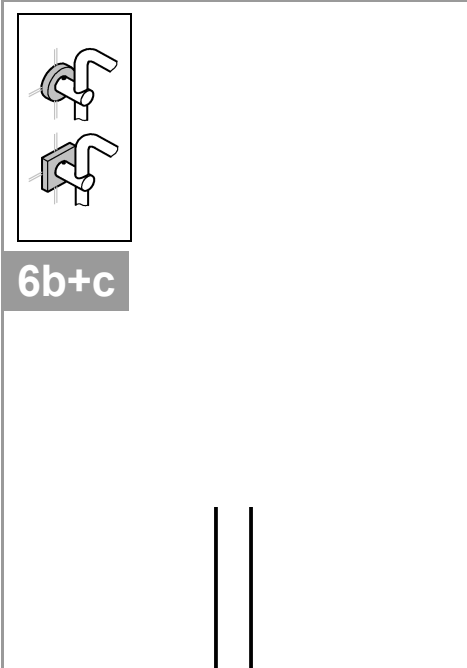
	Z
48 514	1139 ($44^{13/16}''$)
48 515	839 ($33^{1/16}''$)



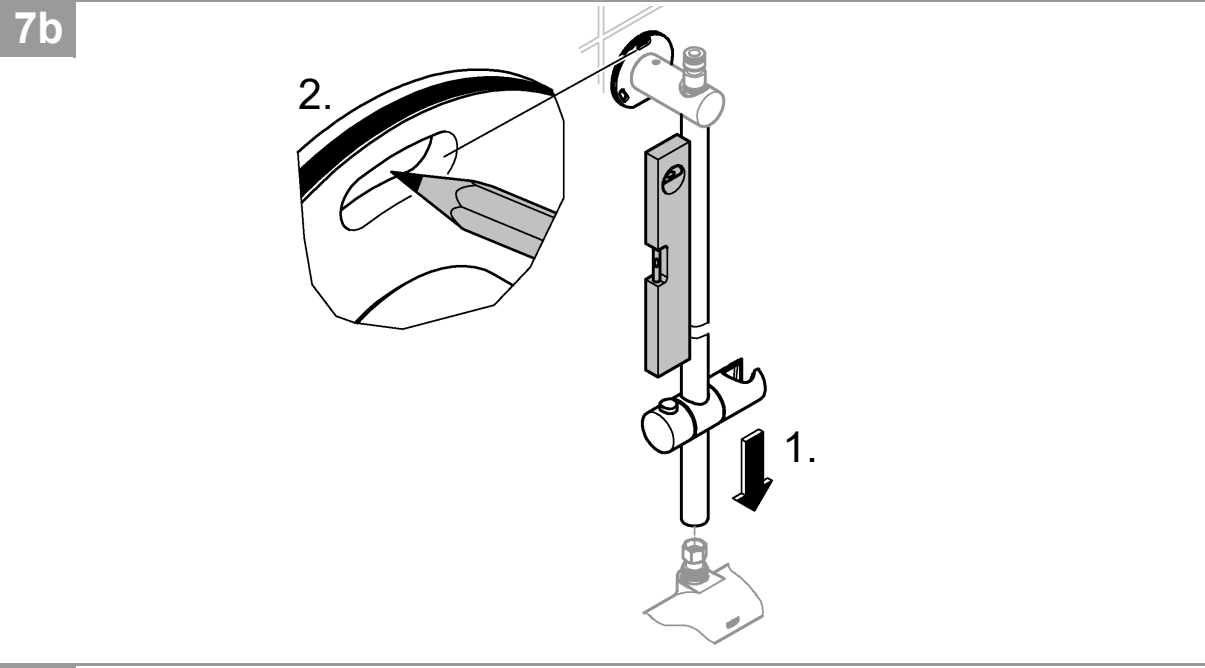
8a



9a

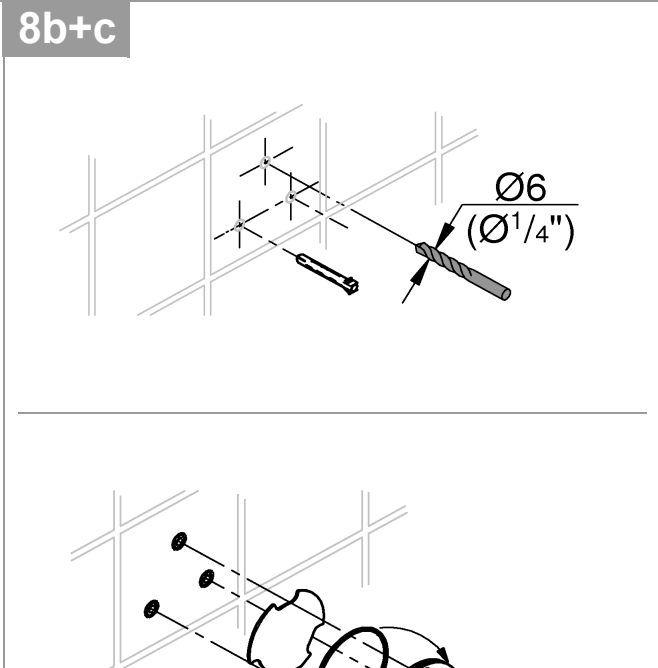


6b+c

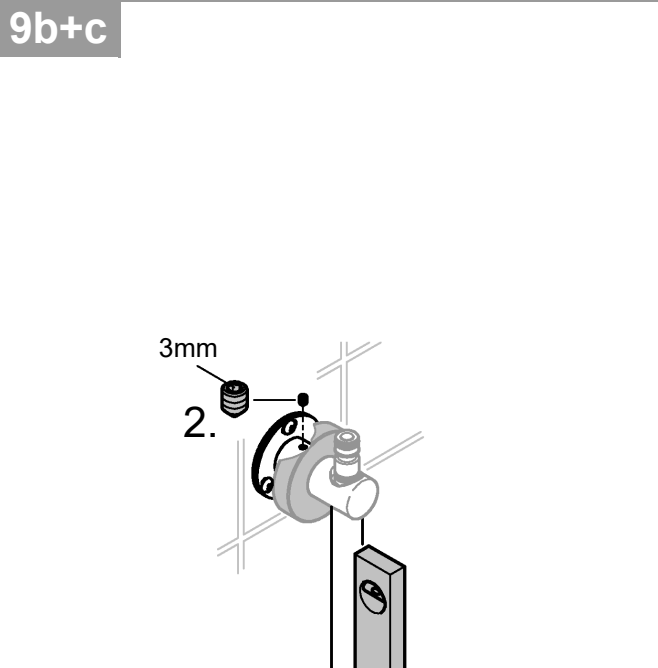


7c

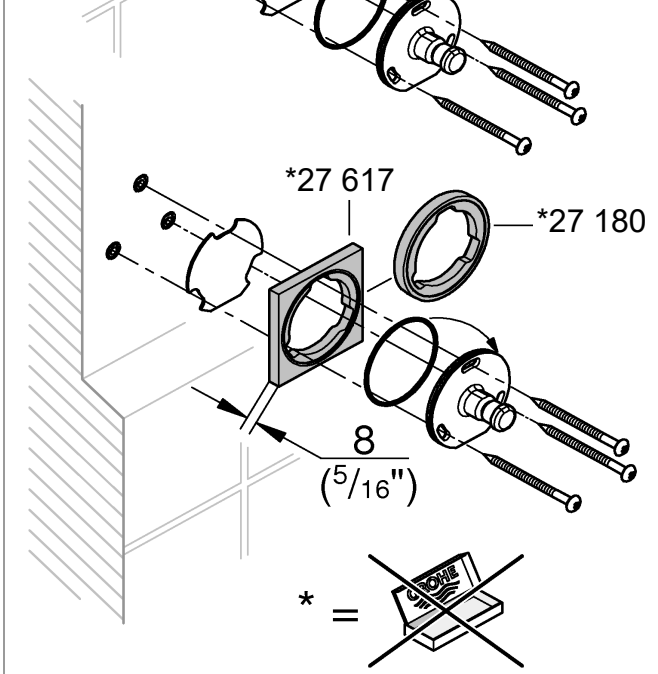
48 514	1160 +40 -100	($45^{11/16}'' +^{19/16}''$ $-3^{15/16}''$)
48 515	860 +40 -100	($33^{7/8}'' +^{19/16}''$ $-3^{15/16}''$)



8b+c



9b+c



* = ~~not used~~