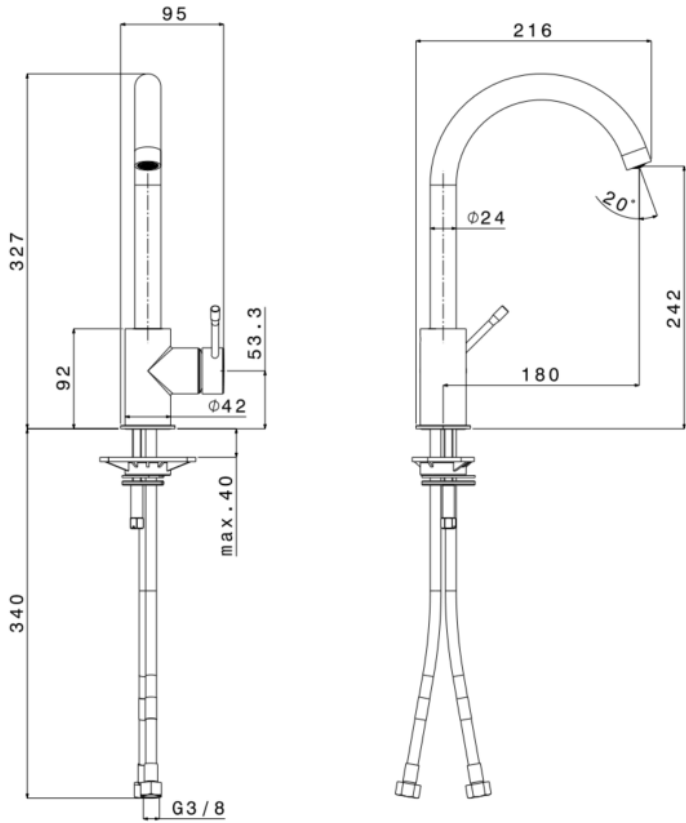


PICTURE:



DIMENSIONS:



| | |
|--------------------|--|
| Type of mixer | Single lever kitchen mixer |
| Finish | Chrome |
| Material | Brass |
| Flow rate 3 bar | 12 L/min. |
| | |
| Type of spout | Swivel spout |
| Type of aerator | NEOPERL CACHE' COIN SLOT 25.2 L/min at 3 bar |
| Type of connection | Flexibles - G 3/8" |
| Type of cartridge | Ceramic discs |
| Handle | Metal |
| Tap hole Ø | Ø 35 mm |
| Fixation | Top/ tap hole |
| Water saving | No |
| ECO handle | No |
| | |
| Certificate | ACS |
| Weight | 1.20 kg |
| Warranty | 5 years |
| Extra | Including installation hose |