



TECEprofil toilet module with Uni cistern, wall attachment and sound insulation set, installation height 1120 mm

Article number: 9300335

Description:

Toilet module including “easy fit” flush plate installation and conduit to connect electronic shower toilets. For fitting to TECEprofil section tubes or for installation in metal or wooden stud walls and as a pre-wall or corner module; also suitable for single block assembly.

Uni cistern for front actuation:

- Safety tank made of impact-resistant plastic, tested to EN 14055
- Cistern fully pre-assembled and sealed.
- Cistern connection with outer thread R 1/2" at the side, compatible with quick adapters
- 10 litre tank volume; 6 litre pre-set standard flush volume, 4.5/7.5/9-litre flush volume can be set at any time; 3-litre partial flush volume for dual-flush system; remaining volume can be used for immediate cleaning flush.
- Insulated against condensation water
- For TECE flush plates and toilet flush handle
- Can be used as a single or dual-flush cistern
- “easy fit” flush plate installation
- Installation tunnel for service opening, can be shortened without tools
- Low-noise hydraulic filling valve, fitting group 1 according to DIN 4109

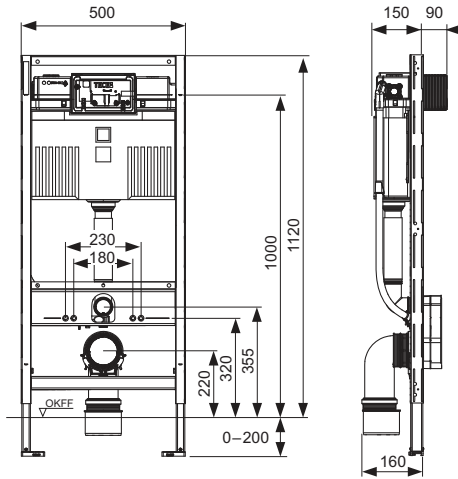
Module frame:

- Self-supporting, powder-coated
- Two M 12 retaining bolts and nuts
- Two depth-adjustable module attachments
- Toilet drain bend DN 90 made of PE-HD with joint adapter DN 90/100 made of PP
- Joint adapter also suitable for horizontal installation
- Toilet connection set DN 90
- Conduit for universal shower toilet water connection (check connection position)
- Shell protection for shower toilet connection, including conduit for transformer
- Sound insulation kit for toilet

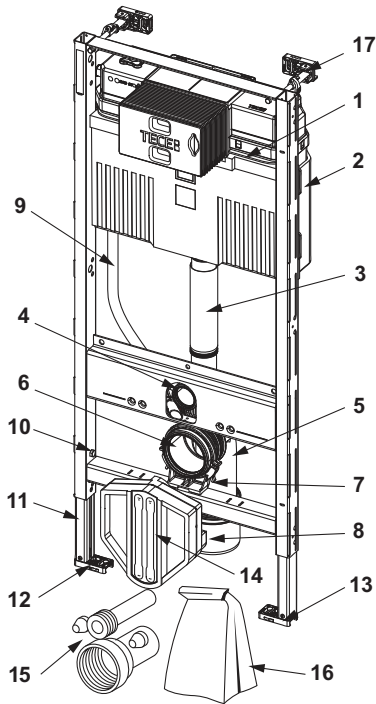
Sales data:

Product name: TECEprofil toilet module with Uni cistern, wall attachment and sound insulation set, installation height 1120 mm
 Commodity group: 905
 Product group: 2009050010

Dimensional drawings:



Spare parts:



- | | | |
|----|---------|--|
| 1 | 9820103 | Uni cistern 1120 mm |
| 2 | 9820040 | Assembly kit for Uni cistern |
| 3 | 9820011 | Flush pipe with O-ring, length 269 mm, dry-wall construction |
| 4 | 9820015 | Flush pipe seal |
| 5 | 9820315 | 90° toilet connection elbow – DN 90/90 |
| 6 | 9820139 | Seal for toilet drain bend/adaptor |
| 7 | 9820348 | Toilet drain bend holder complete, underneath (from 04/2017) |
| 8 | 9820136 | Adapter DN 90/DN 100 (PP) |
| 9 | 9820569 | Attachment clips and conduit |
| 10 | 9820447 | Foot brake with steel spring |
| 11 | 9820335 | C-section for module foot |
| 12 | 9820332 | Module foot with toggle left |
| 13 | 9820333 | Module foot with toggle right |
| 14 | 9820568 | Bare-wall protection for shower toilet connection |
| 15 | 9820057 | Connection set DN 90 for toilet |
| 16 | 9820043 | By-pack for toilet module (mounting material, etc.) |
| 17 | 9380014 | Wall attachment with quick closure |