

# PRODUCT DATA SHEET



## PRODUCT CODE

GL6080

## RANGE

MIRROR

## DESCRIPTION

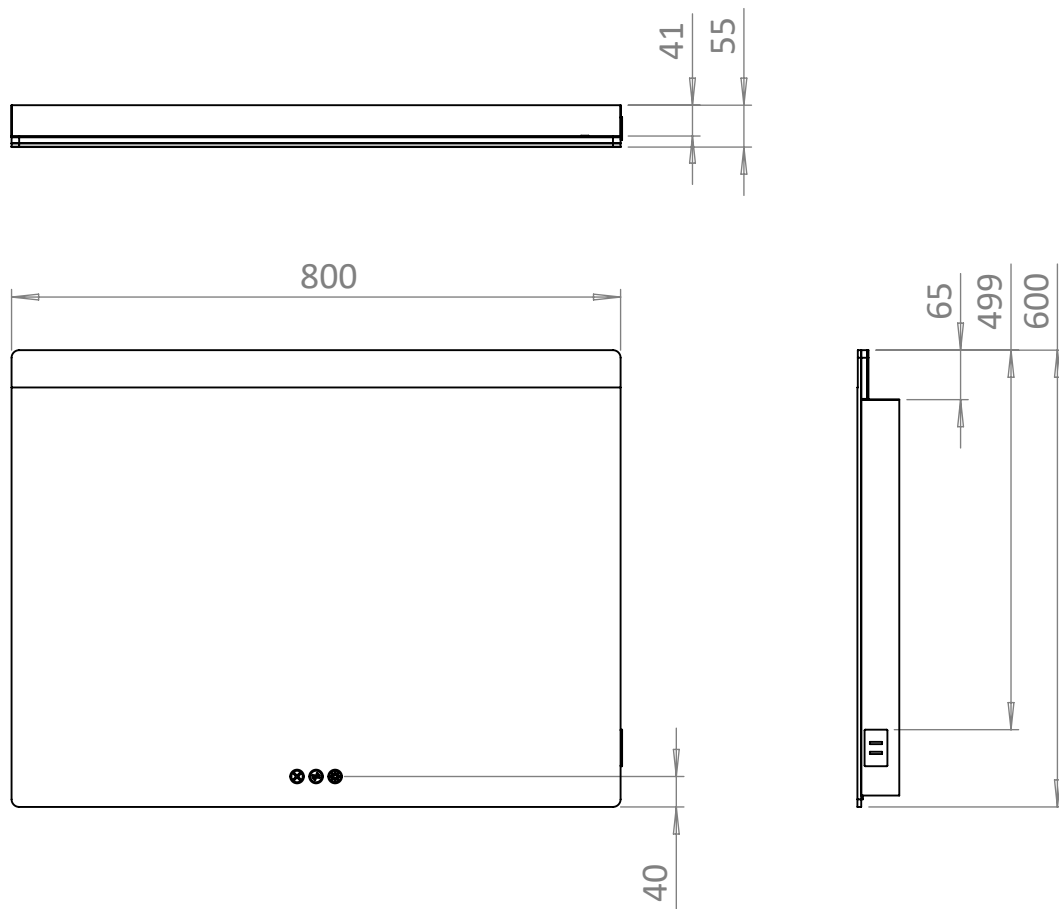
Gllide II Illuminated Mirror 600mm x 800mm

MATERIAL	Glass & Aluminium
HANDLING/INSTALLATION	Wall Mounting
HANGING	Portrait Only
LED WATTAGE	3.6W
DRIVER WATTAGE	6W
DE-MISTER WATTAGE	22.5W
TEMPERATURE CHANGING COLOUR RANGE (K)	Yes 2700 - 6400
LUMINOUS EFFICACY (LM/W)	95
COLOUR RENDERING INDEX (RA)	85
ENERGY RATING	F
SWITCH TYPE	Touch Switch
IP RATING	44
DIMMABLE?	Yes
SHAVER SOCKET INCLUDED	Yes
LIGHT TYPE	LED
CABLE LENGTH	1050mm
STANDARDS	EN60598 EN60592 EN62493
DOP CLASS	01 - 2017
WEIGHT	10kg
WARRANTY	5 Years

## TECHNICAL DIMENSIONS

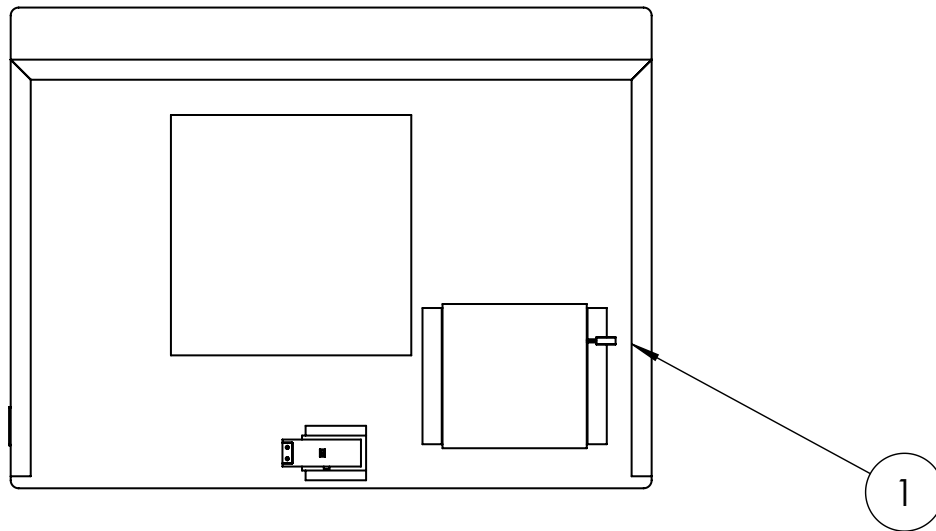
Dimensions in mm unless otherwise specified.

Tolerances (per material type) apply.



V11022

## SPARES DIAGRAM



NUMBER	PART CODE	DESCRIPTION
1	MIRRORFIX	Fixing screw pack for keyhole mirror fixing

Only the parts labelled are available as spares.

V11022