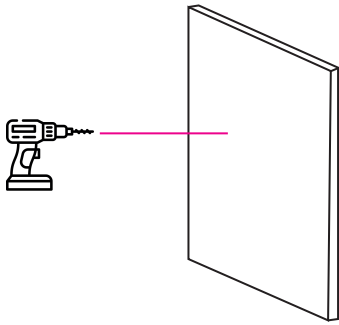


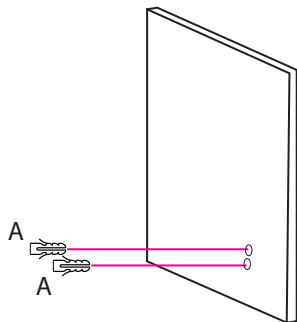


# AQUANOVA

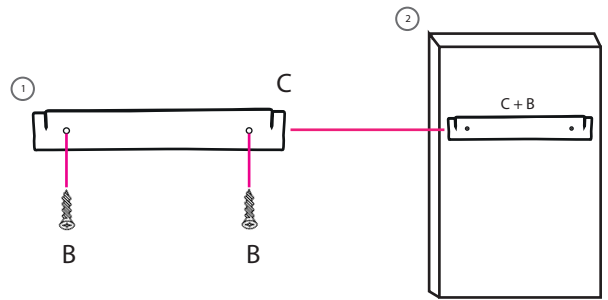
Step 1. Drill two small holes in the wall approximately 8mm.



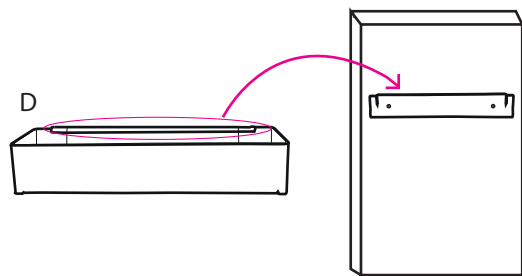
Step 2. Put the plugs into the wall.



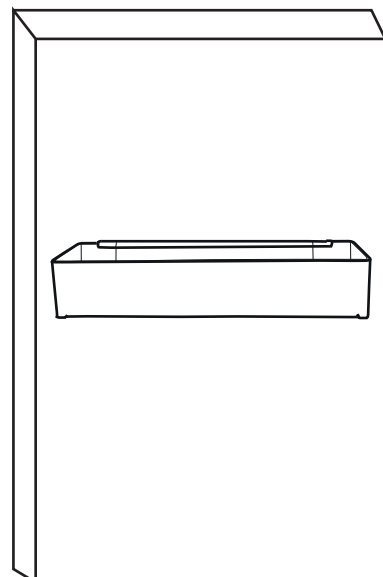
Step 3. Put the screws in the holes of the suspension bracket<sup>1</sup> and attach it into the wall.<sup>2</sup>



Step 4. Slide the wall tray on top of the suspension bracket.



Finish.



A x 2



B x 2



C x 1



D x 1