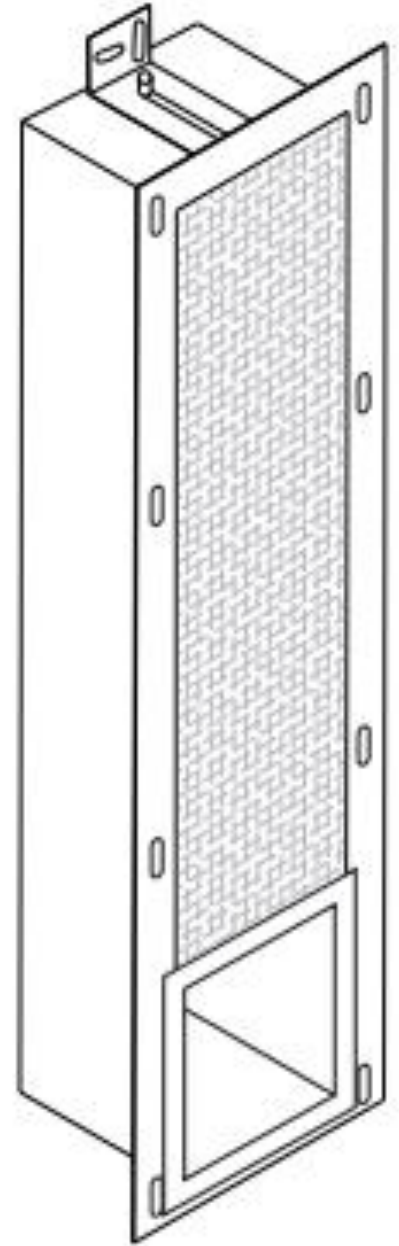
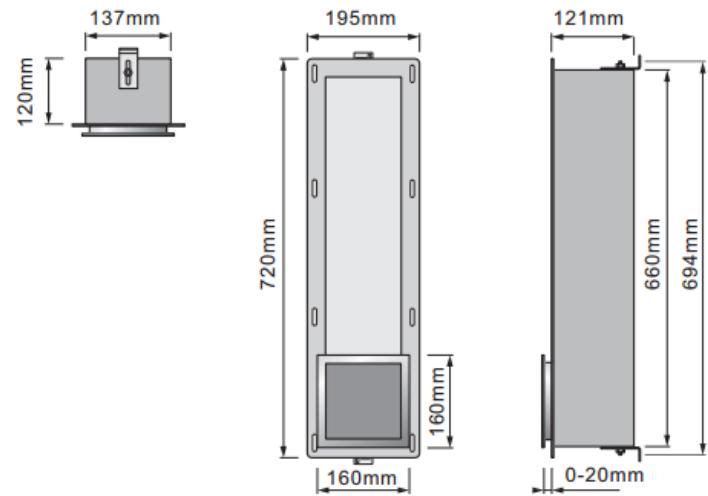
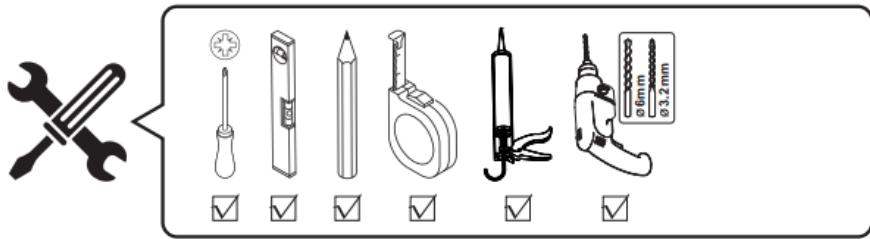


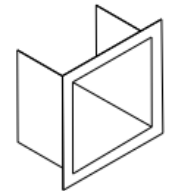
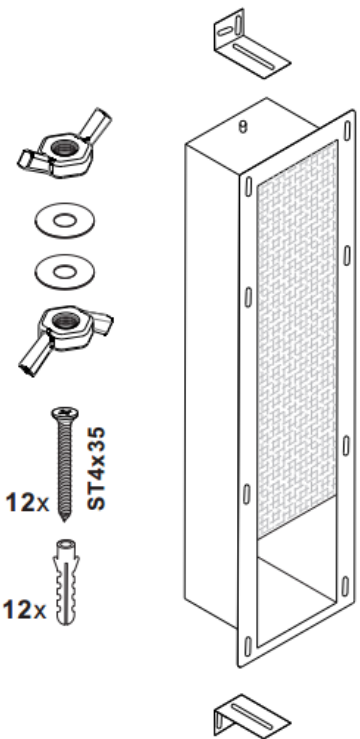
**fortifura**



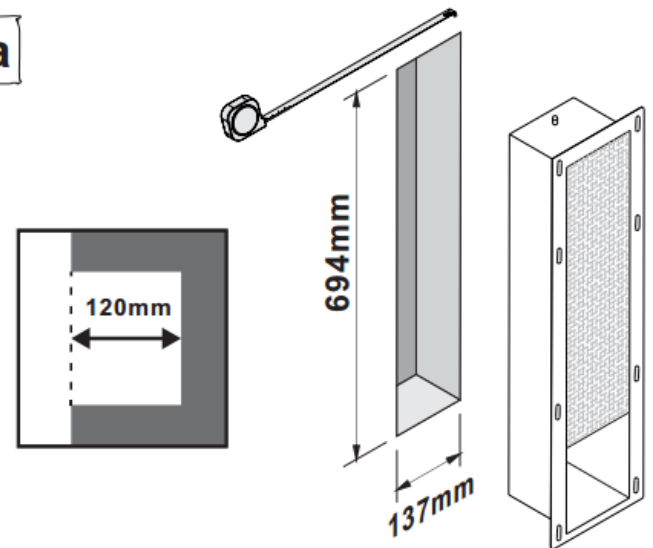


**Box-1**  
SW1126043

**Box-2**  
SW1126044  
SW1126045  
SW1126046  
SW1126047  
SW1126048  
SW1126049



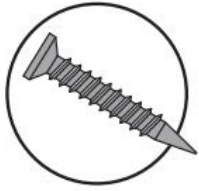
**01a**



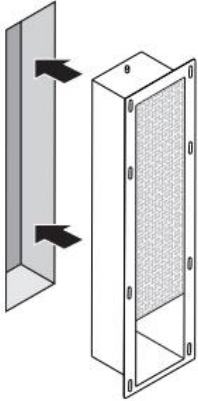
**fortifura**

**02a**

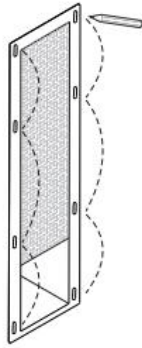
Option A



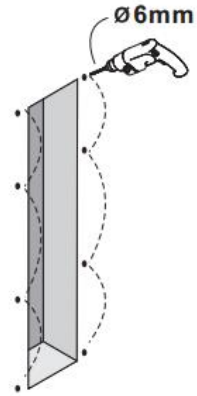
2.1



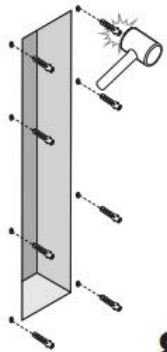
2.2



2.3



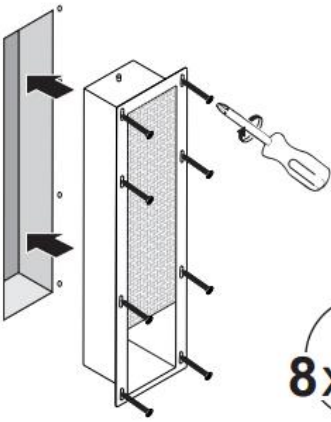
2.4



8x



2.5



8x

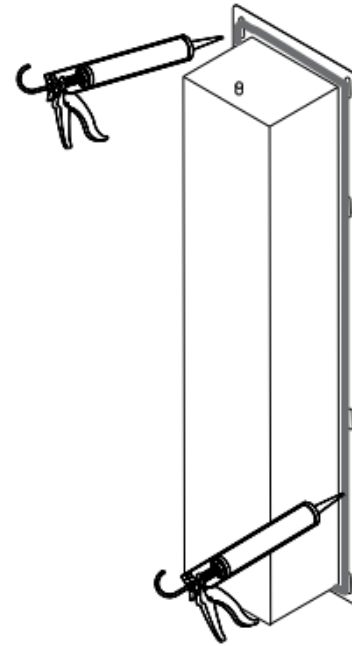


**02a**

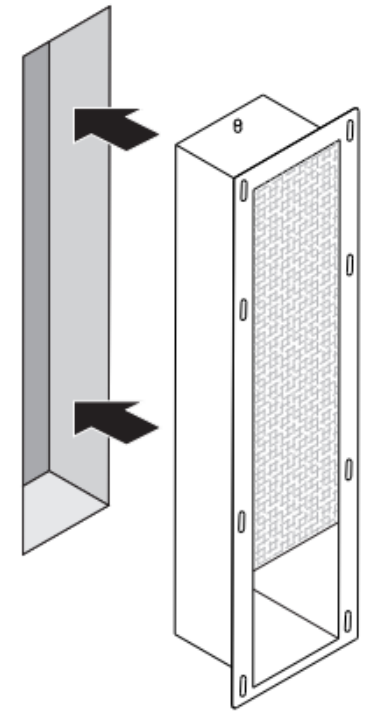
Option B



2.1

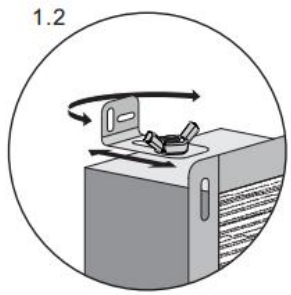
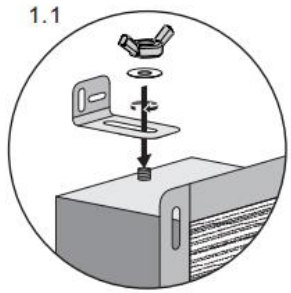
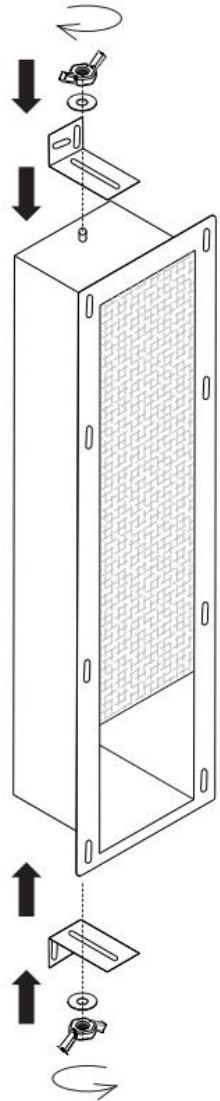


2.2

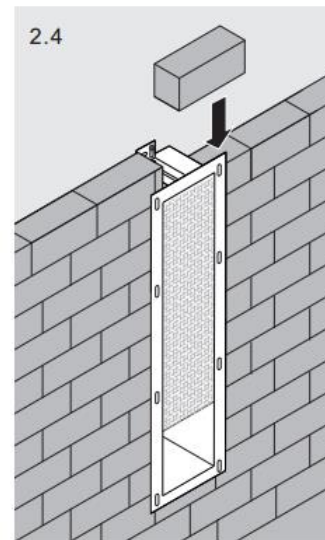
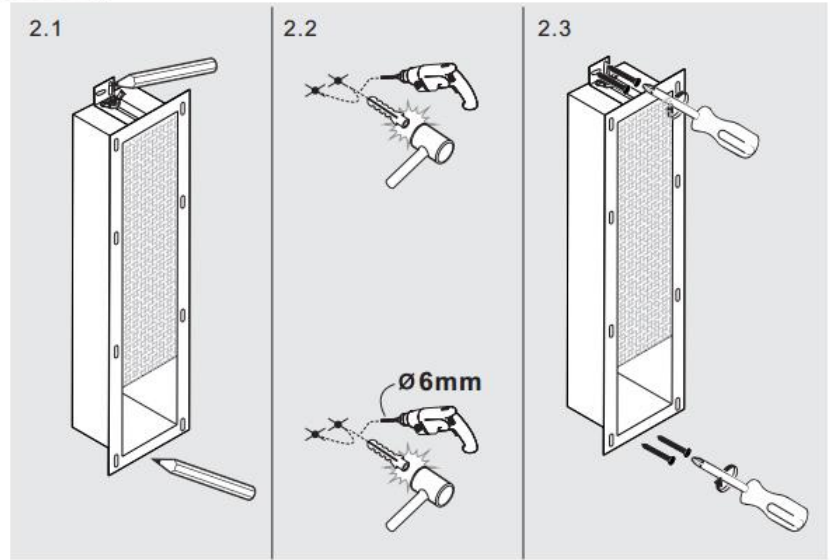


fortifura

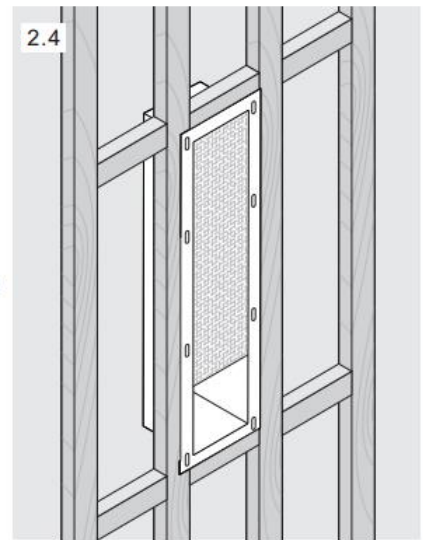
or **01b**



**02b**

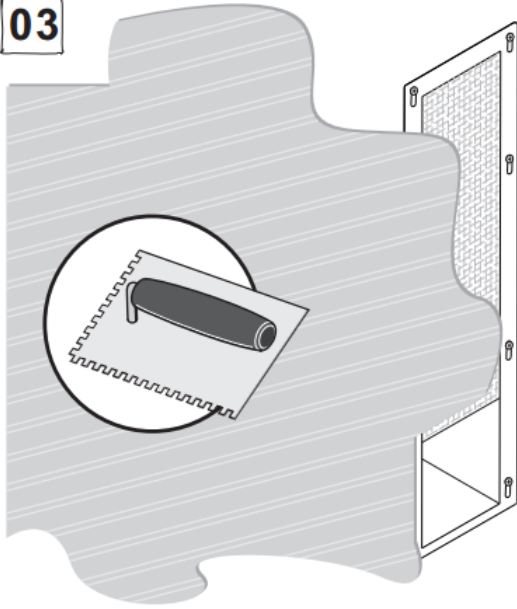


or

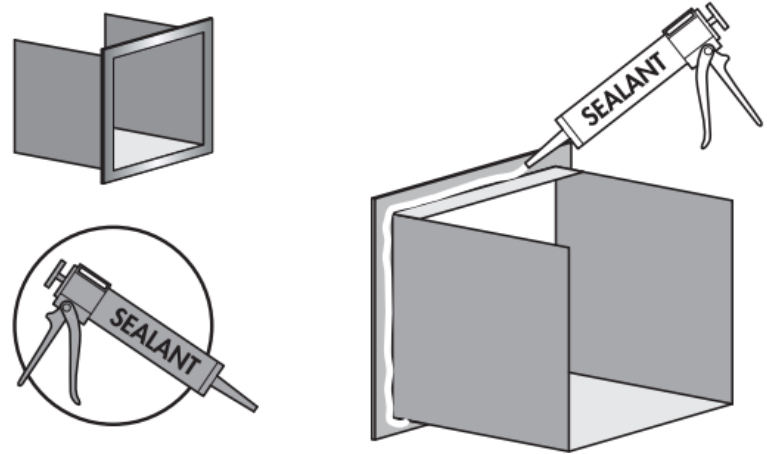


# fortifura

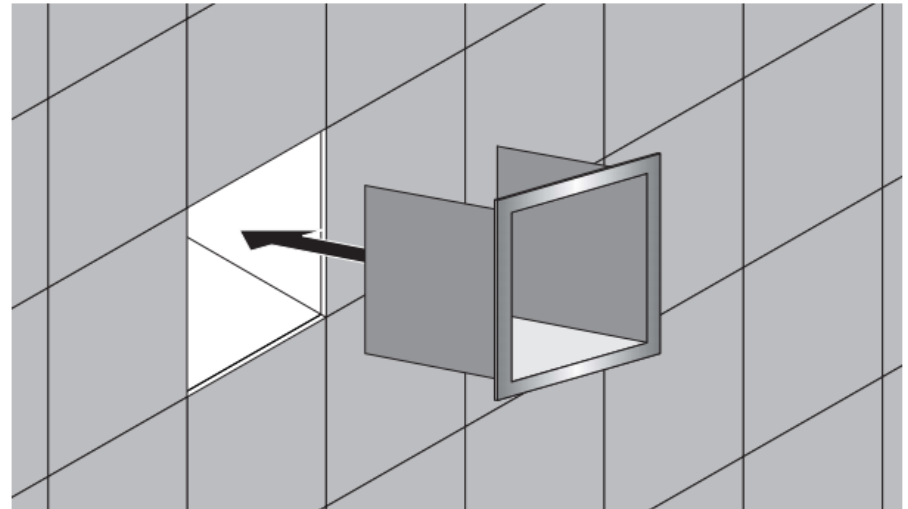
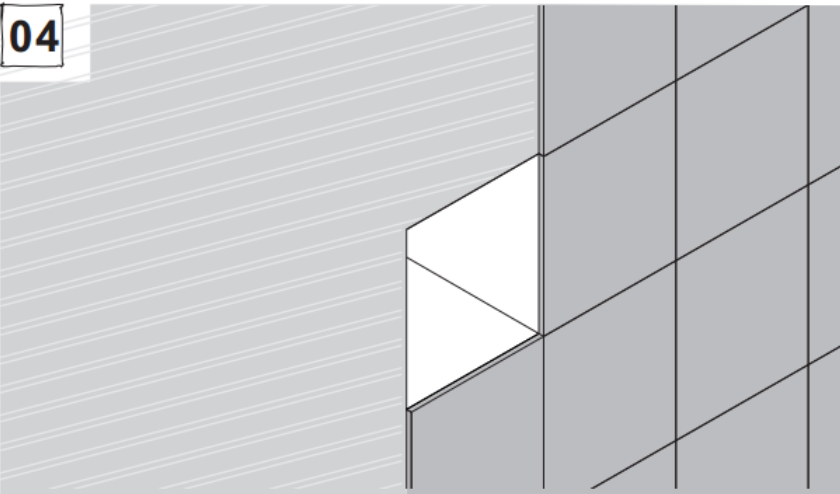
03



05

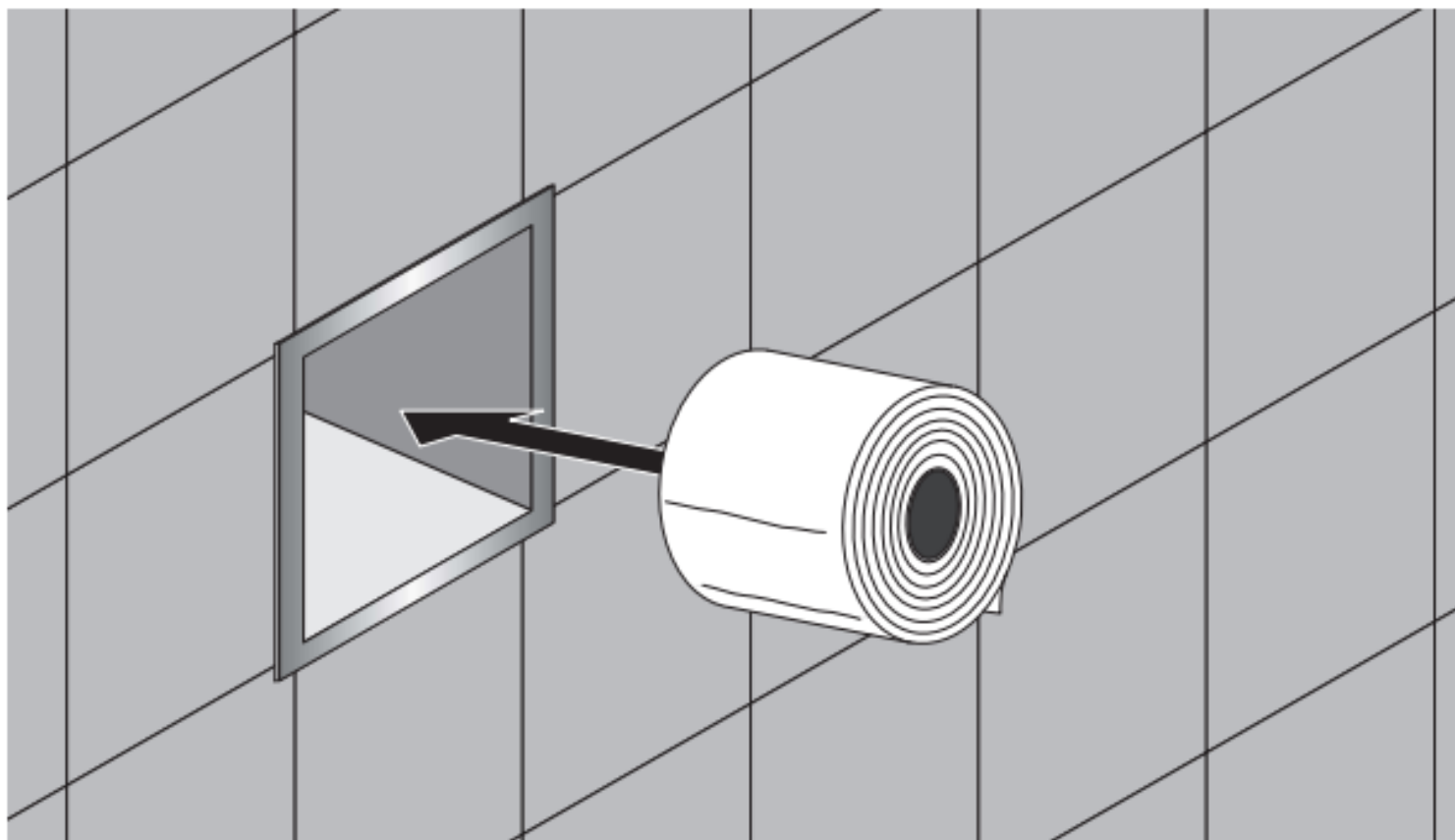


04



fortifura

06



fortifura