

Measurements in millimetres mm

Information updated April 2019

Tel 0345 873 8840

crosswater[™]

Real Square Counter Basin

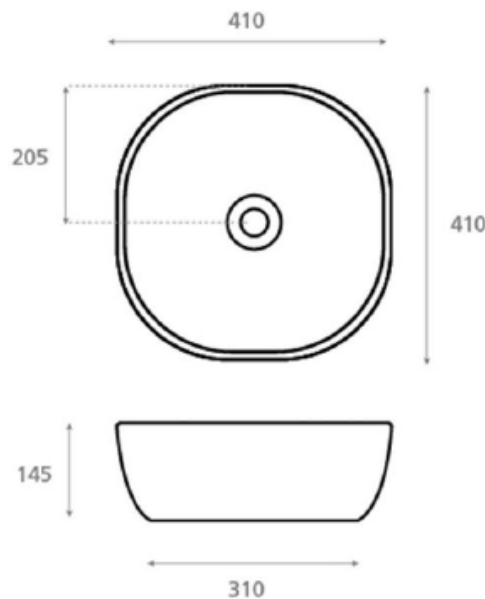


TECHNICAL DATA

CODE No	CT4040UCW
Recommended use	Domestic, hotel, residential
Material	Vitreous China
Standards	EN 14688 – CL 00
Colour	White
Specification	Counter top, NO tap hole No overflow
Fixing	Counter top only
Weight	7.8kg
Warranty	15 years

SPECIFICATION

Dimensions w 410 x d 410 x h 145mm
No overflow



Sizes detailed could have a variation of about +/-5 % due to the changes to material characteristics during the firing processes. Exact measurements for individual installations can only be taken from the finished ceramic