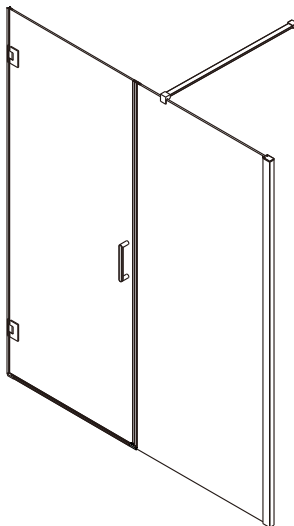
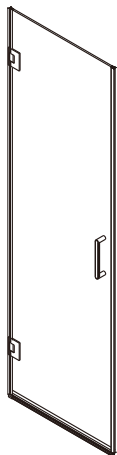
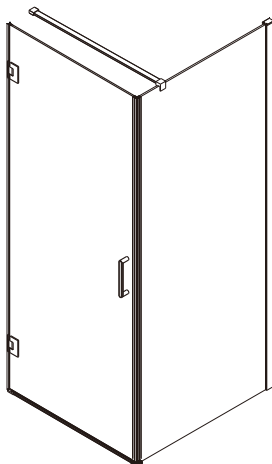
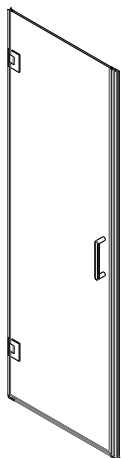


INSTALLATION INSTRUCTIONS





GENERAL INFORMATION

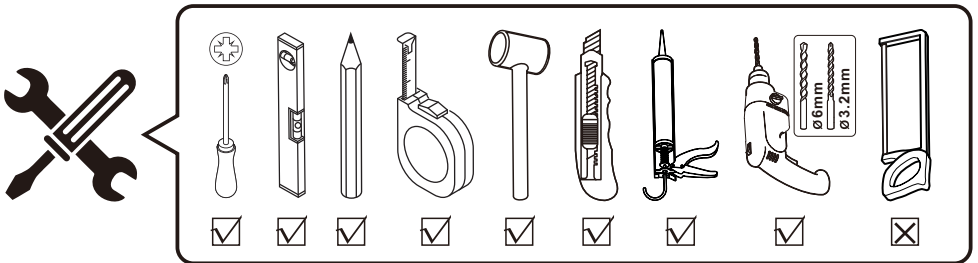
Please inspect the product immediately upon receipt for transit damage, missing packs/parts or manufacturing fault. Damage reported later cannot be accepted. Please handle the product with care avoiding knocks and shock loading to all sides and edges of the glass.

NOTES: Safety glass can not be re-worked

Please read these instructions carefully before start of installation.
Special care should be taken when drilling walls to avoid hidden pipes or electrical cables.
Note: This product is heavy and may require two people to install.

AFTERCARE INSTRUCTIONS

After use, your shower should be cleaned with soap and water. This is particularly important in hard water districts where insoluble lime salts may be deposited and allowed to build up. Cleaners of a gritty or abrasive nature should not be used. Care should be taken to avoid contact with strong chemicals such as organic solvents and strippers. Class cleaners can be used but with caution, if in doubt contact the manufacturer of the cleaner in question.
Please keep these instructions for aftercare and customer service details.

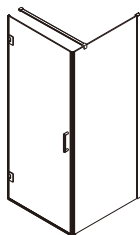




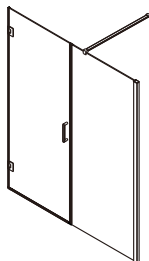
----- P 03



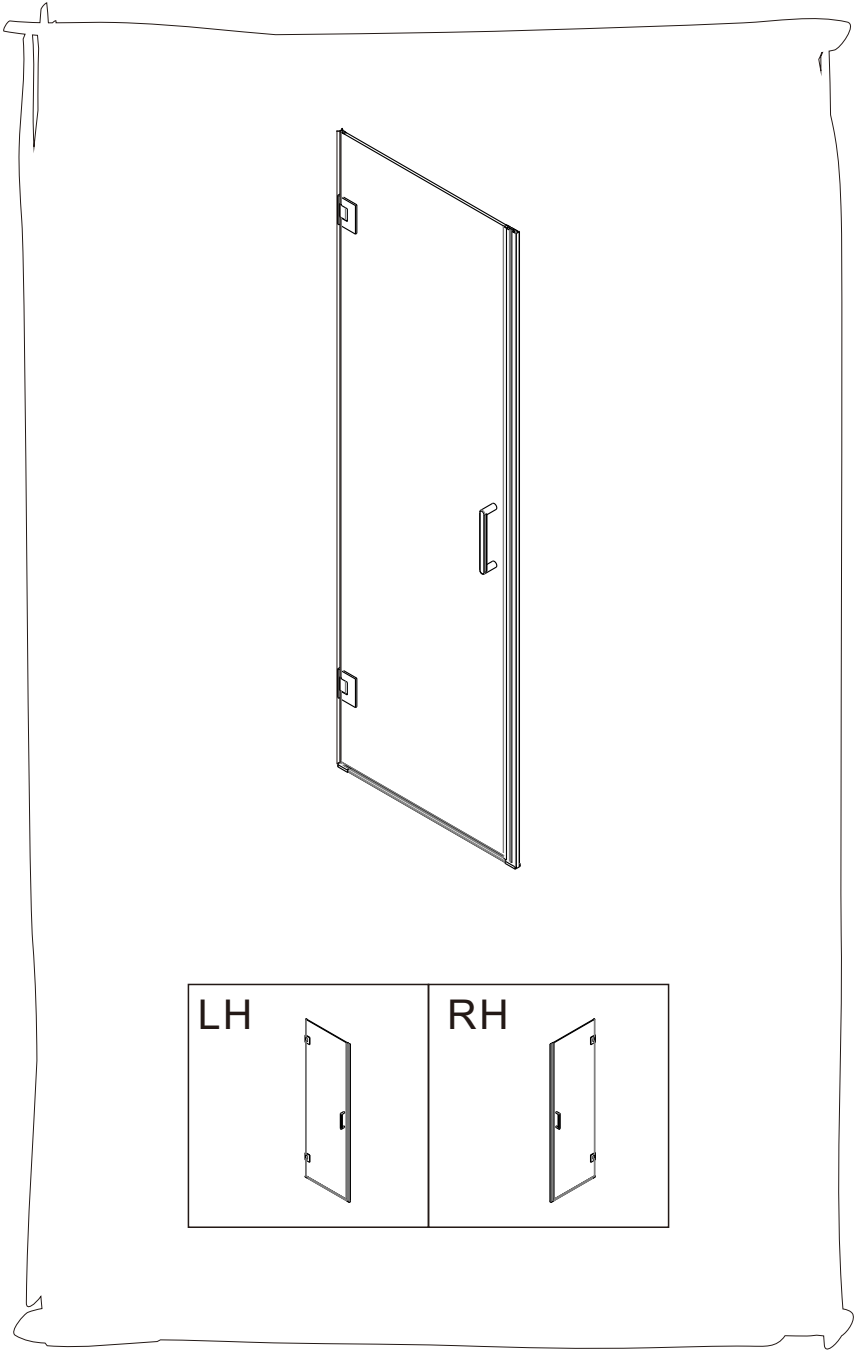
----- P 12



----- P 18

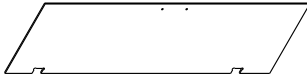


----- P 28





Box -1



[01] x1



Box -2



[02] x1



[03] x1



[04] x1



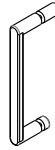
[05] x1



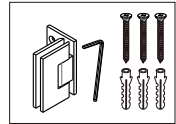
[06] x3



[07] x1



[08] x1



[09] x2



[10A] x1



[10B] x1



[11A] x1



[11B] x1



[12A] x1



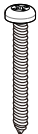
[12B] x1



[25] x1

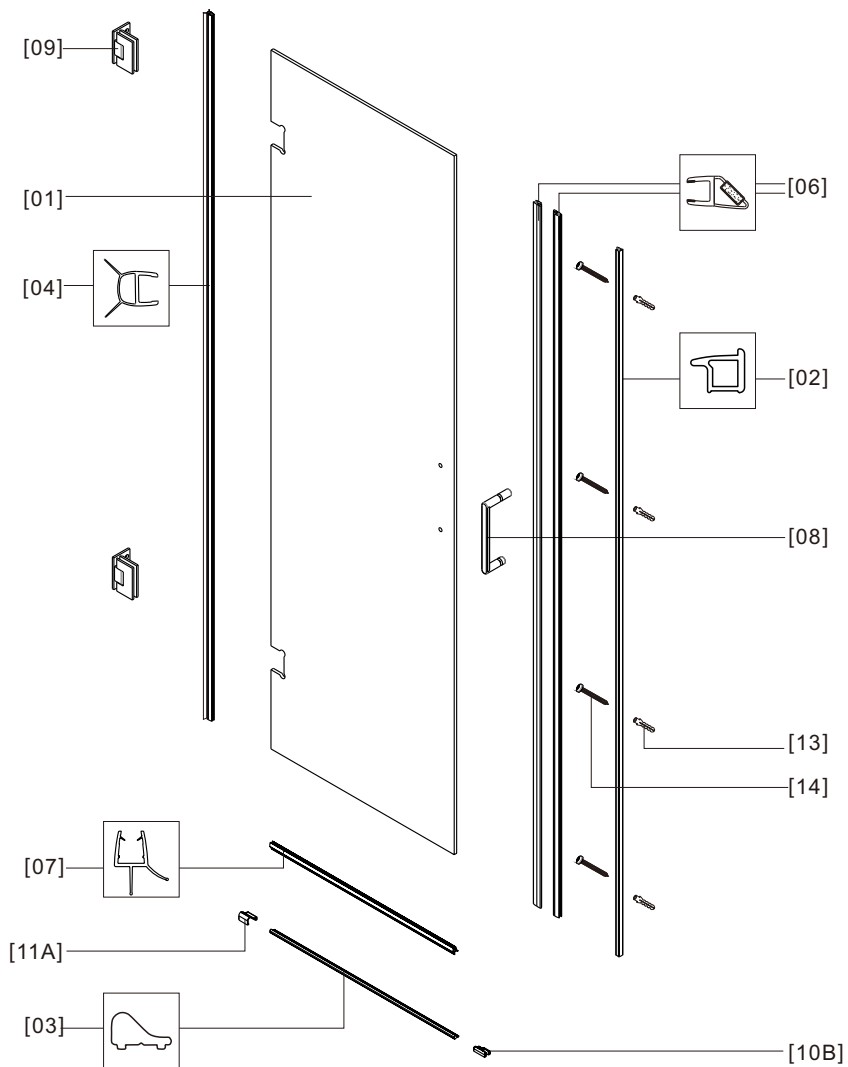


[13] x4



ST4x35

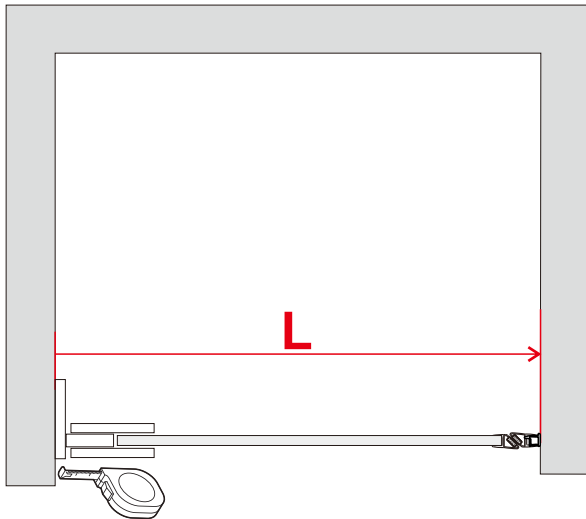
[14] x4



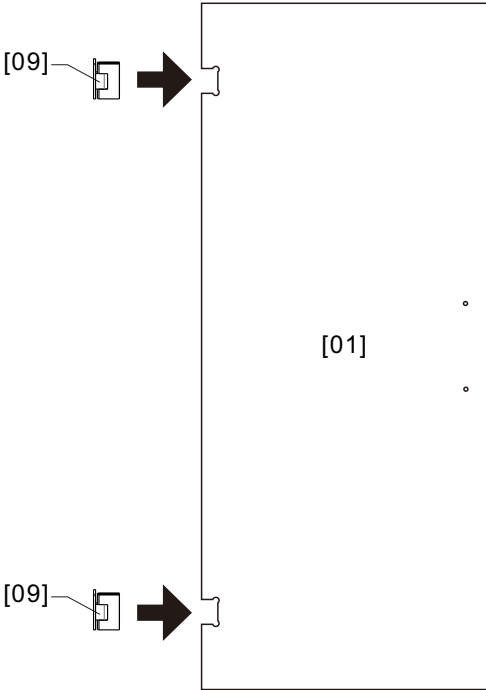


01

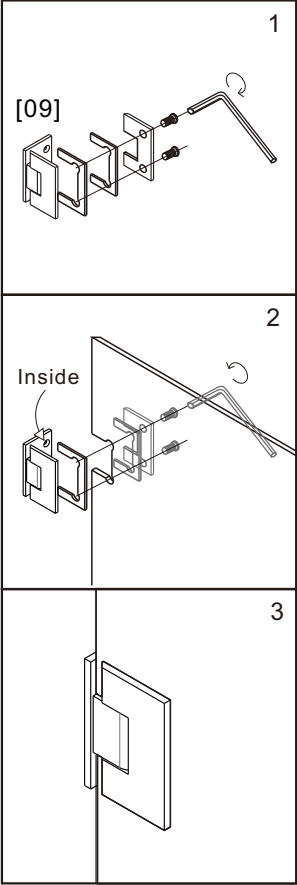
Size (mm)	L	
	Min.	Max.
600	600	600
700	700	700
800	800	800
900	900	900
1000	1000	1000



02



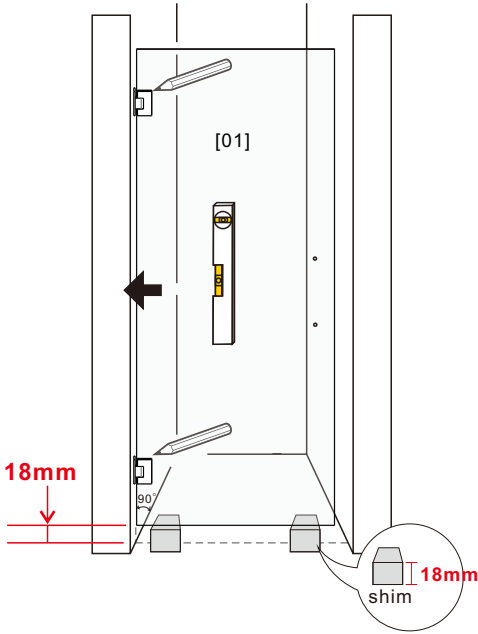
2x



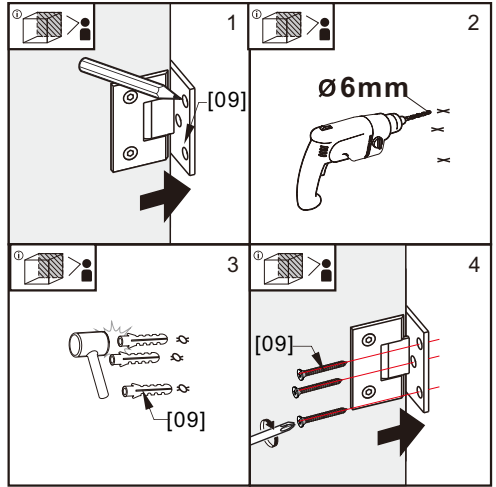
03



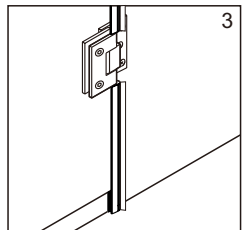
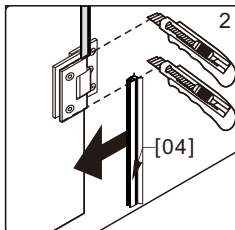
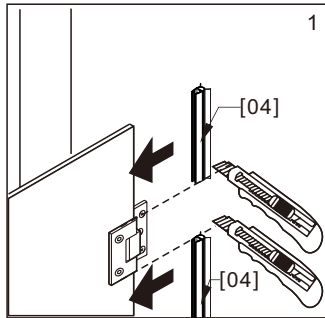
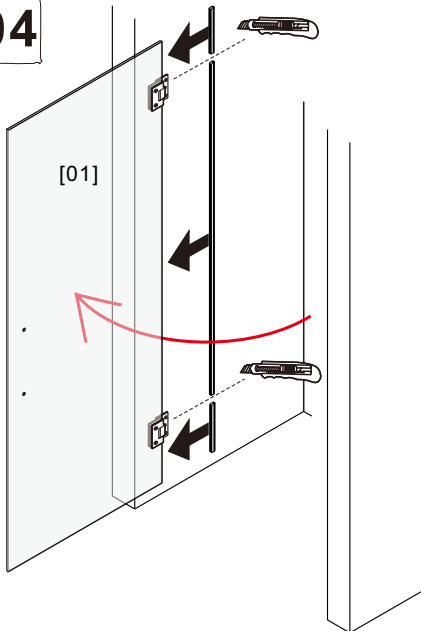
View from inside



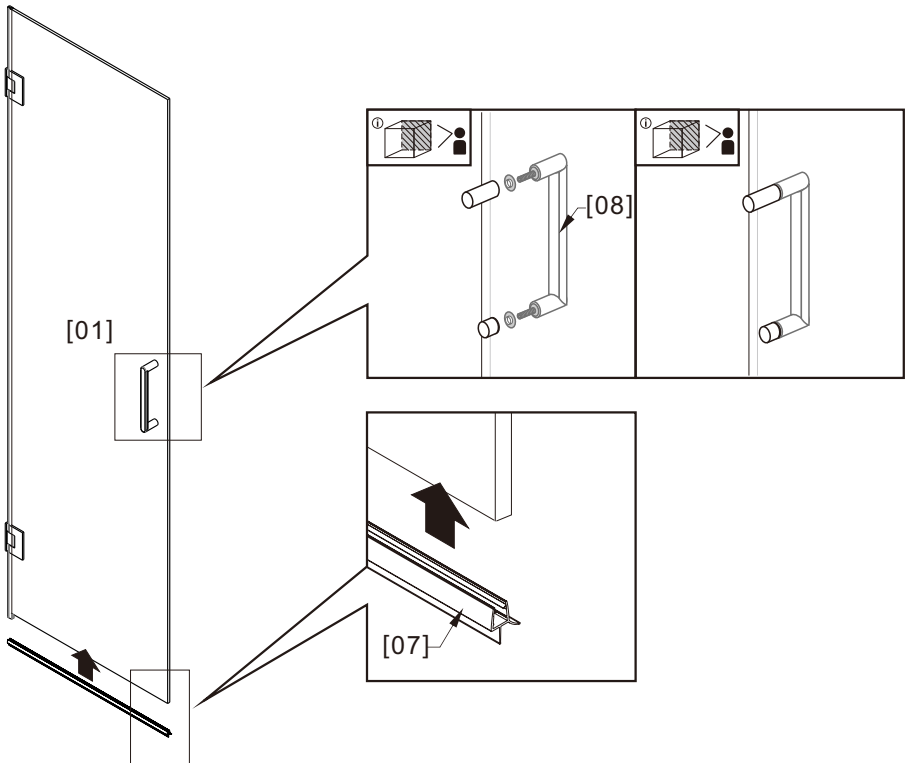
2x



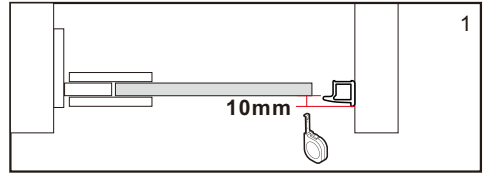
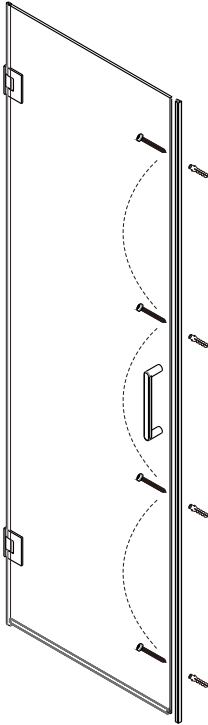
04



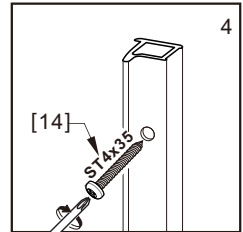
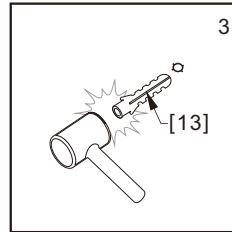
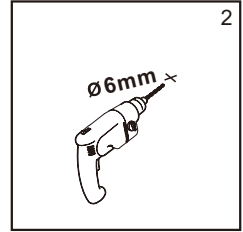
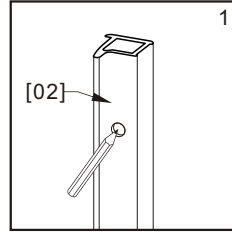
05



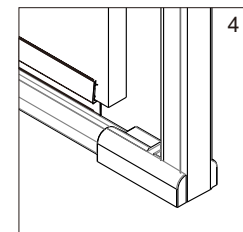
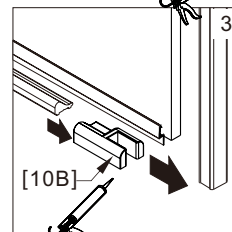
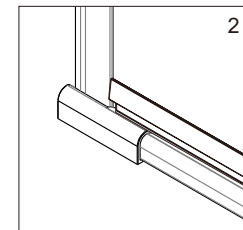
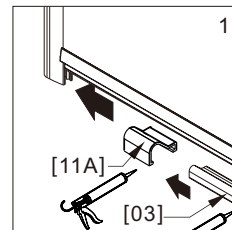
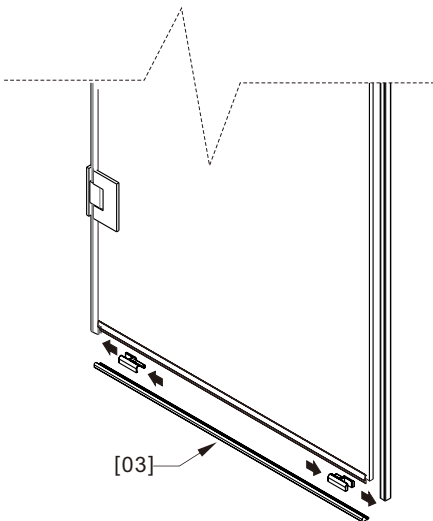
06



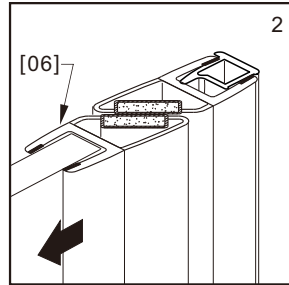
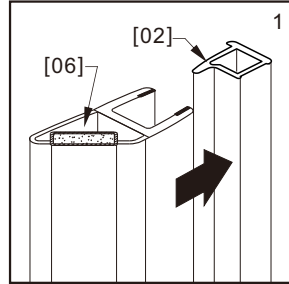
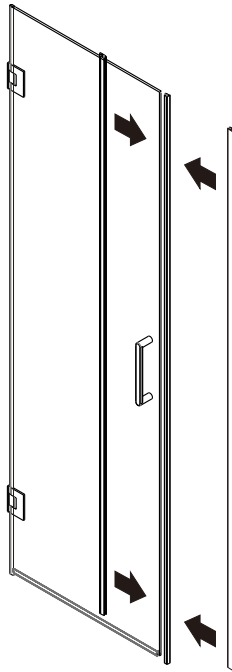
4x



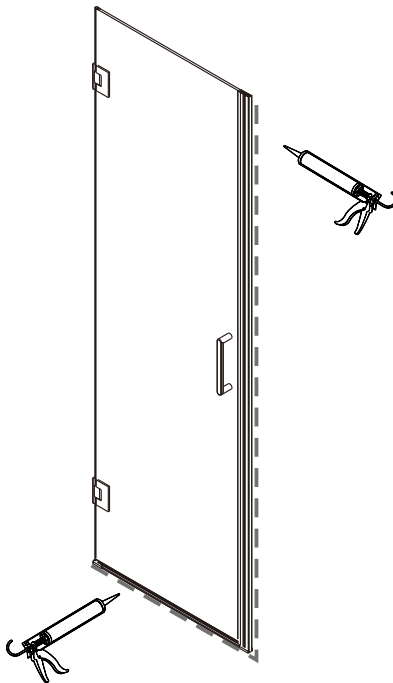
07

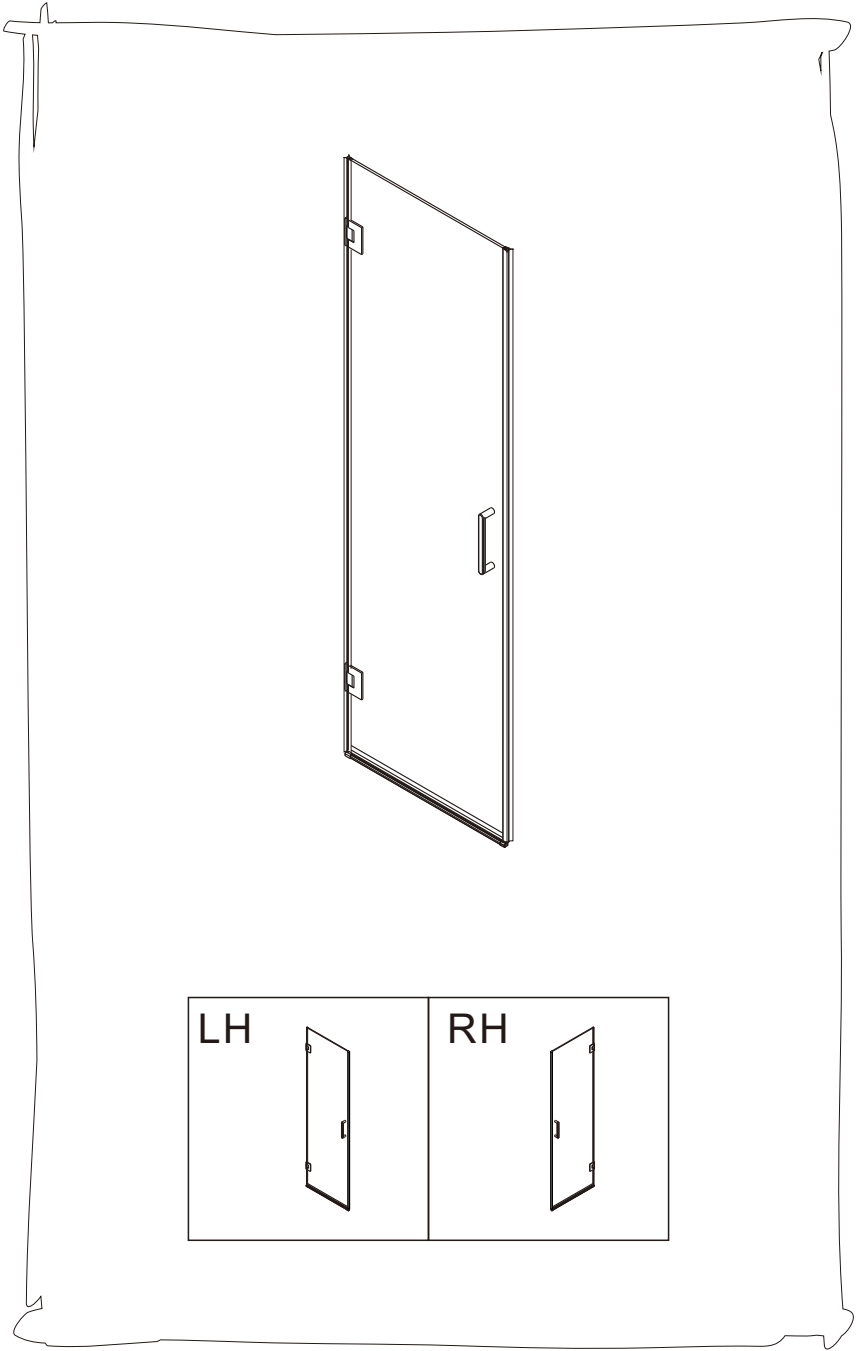


08



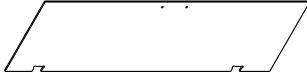
09







Box -1



[01] x1



Box -2



[02] x1



[03] x1



[04] x1



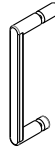
[05] x1



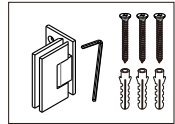
[06] x3



[07] x1



[08] x1



[09] x2



[10A] x1



[10B] x1



[11A] x1



[11B] x1



[12A] x1



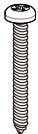
[12B] x1



[25] x1

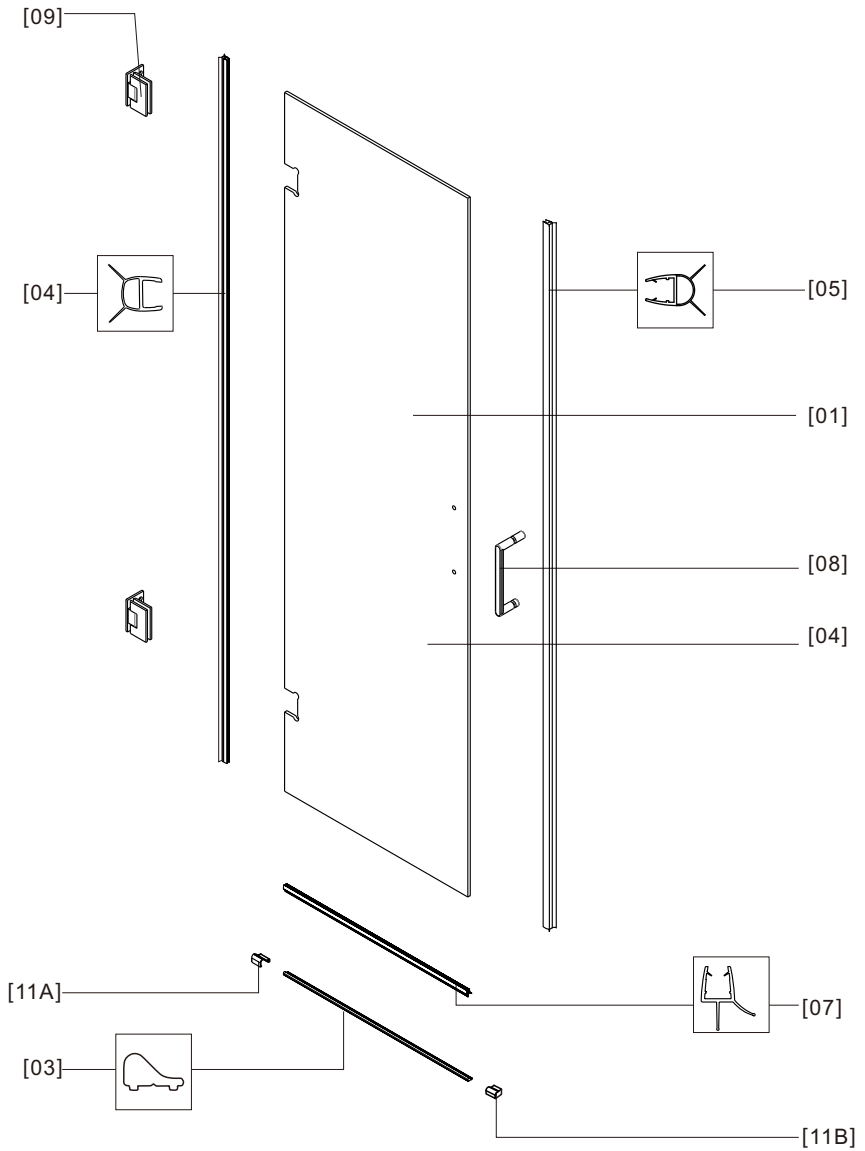


[13] x4



ST4x35

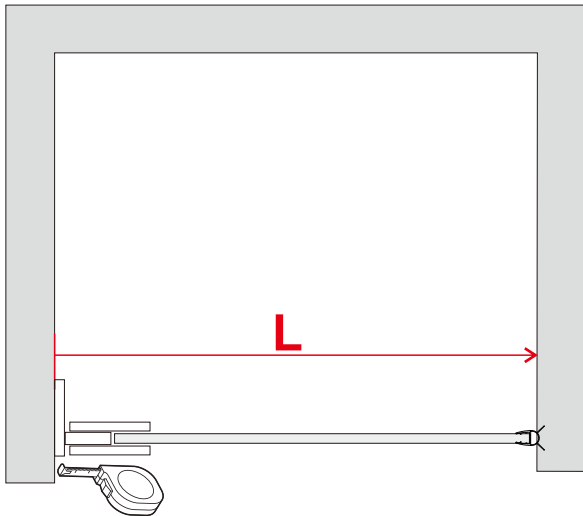
[14] x4



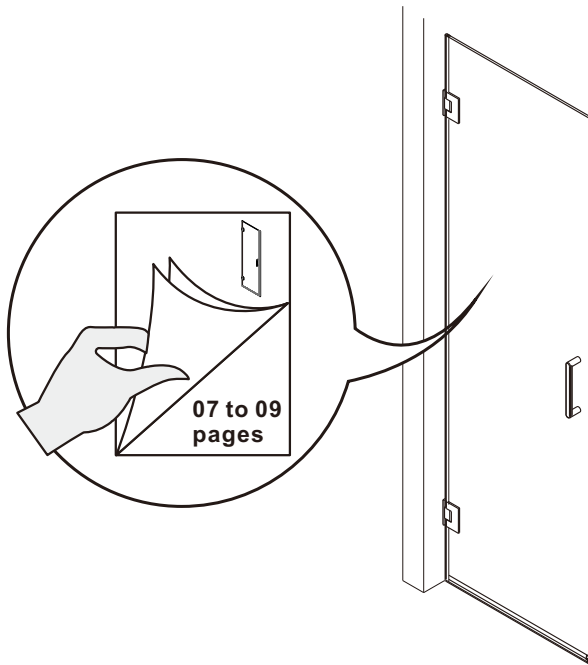


01

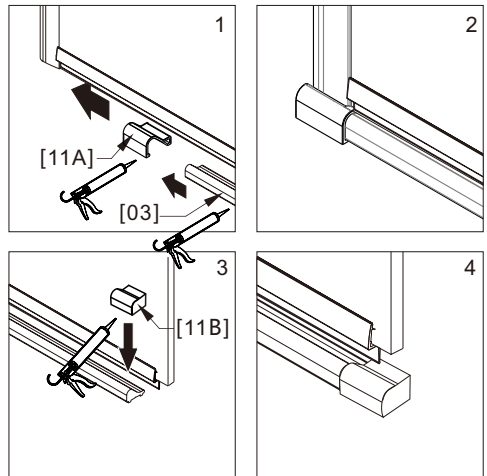
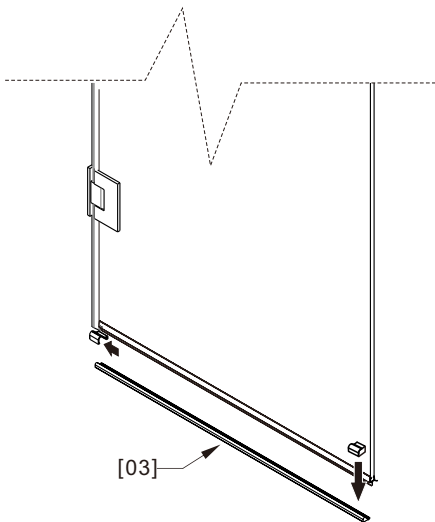
Size (mm)	L	
	Min.	Max.
600	572	572
700	672	672
800	772	772
900	872	872
1000	972	972



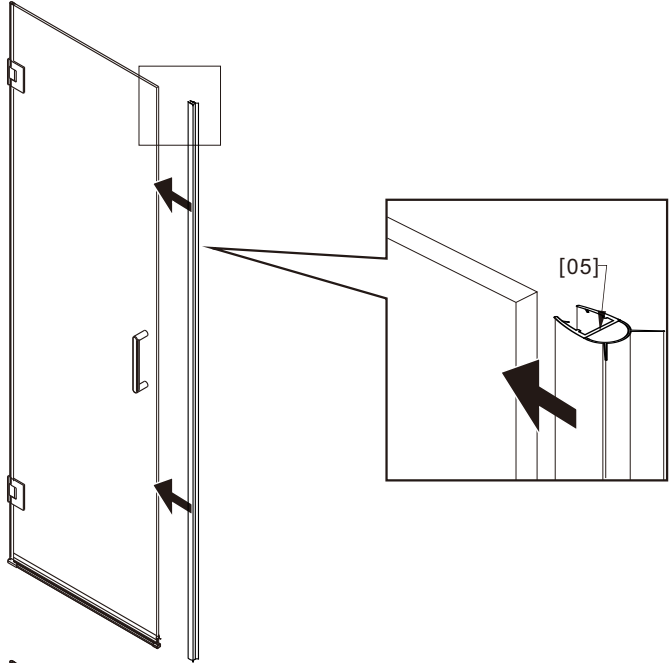
02



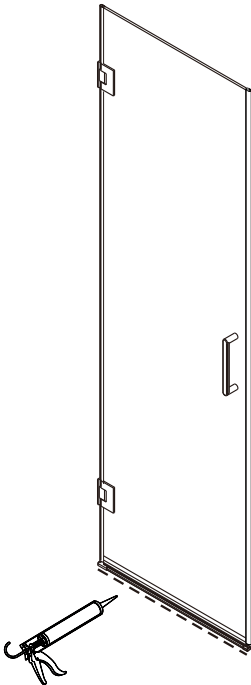
03

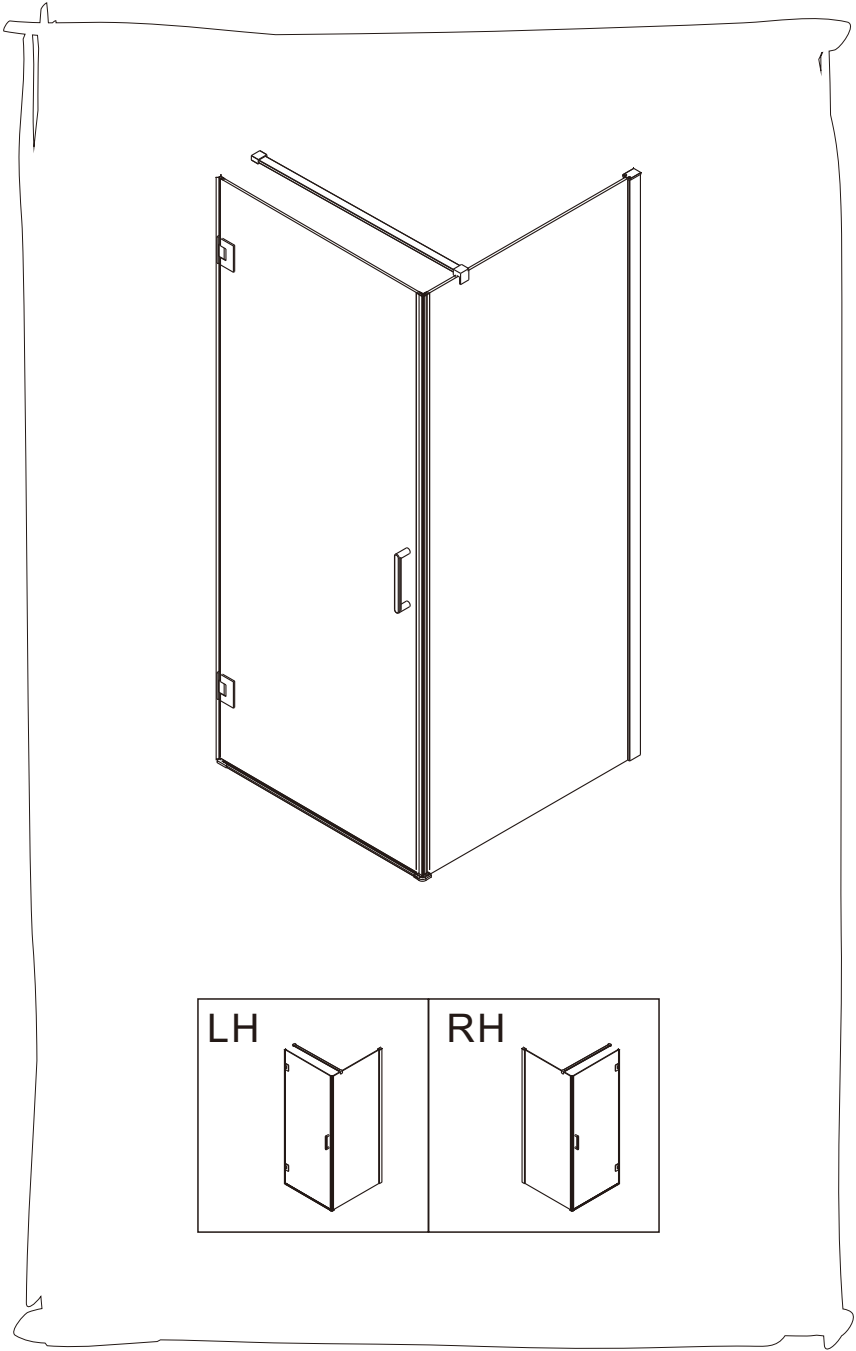


04



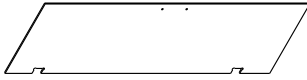
05







Box -1



[01] x1



Box -2



[02] x1



[03] x1



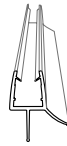
[04] x1



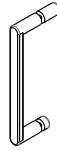
[05] x1



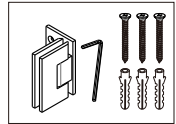
[06] x3



[07] x1



[08] x1



[09] x2



[10A] x1



[10B] x1



[11A] x1



[11B] x1



[12A] x1



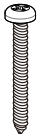
[12B] x1



[25] x1



[13] x4

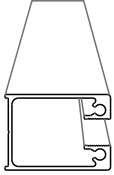


ST4x35

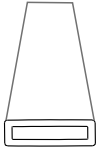
[14] x4



Box -3



[15] x1



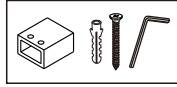
[16] x1



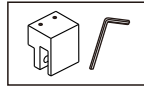
[17] x1



[18] x1



[19] x1



[20] x1

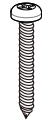


[21] x4



ST4x16

[22] x2



ST4x30

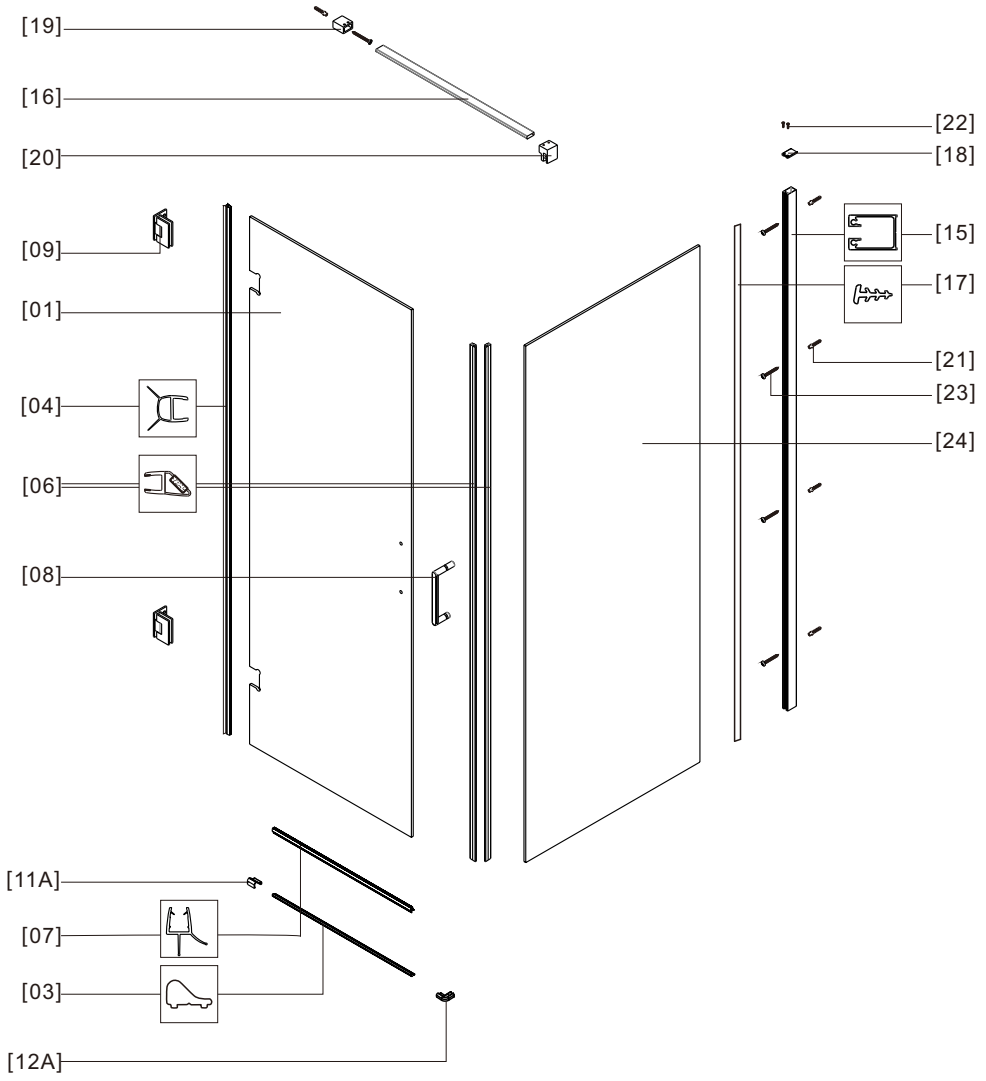
[23] x4



Box -4



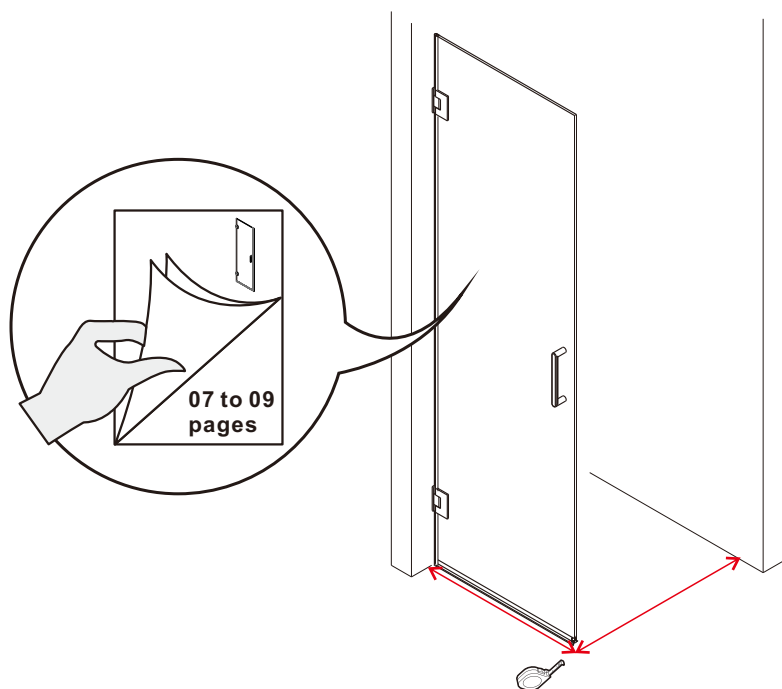
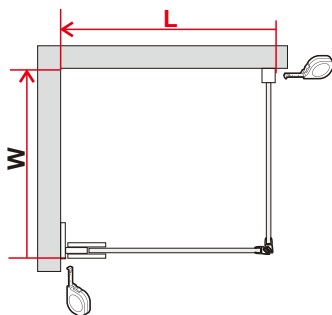
[24] x1



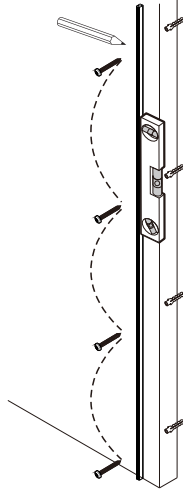
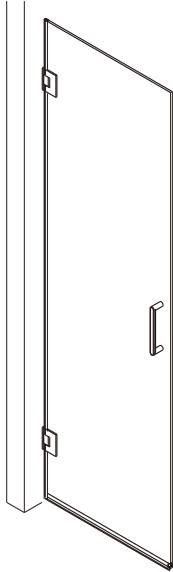


01

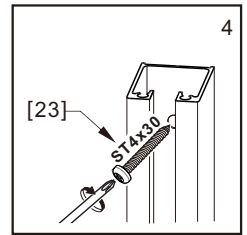
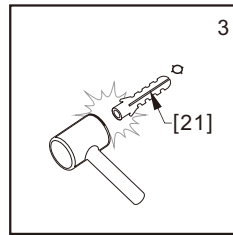
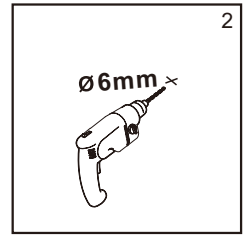
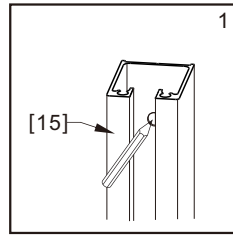
Size (mm)	W		L	
	Min.	Max.	Min.	Max.
300	284	309		
400	384	409		
500	484	509		
600	584	609	585	585
700	684	709	685	685
800	784	809	785	785
900	884	909	885	885
1000	984	1009	985	985
1100	1084	1109		
1200	1184	1209		
1400	1384	1409		
1600	1584	1609		
1800	1784	1809		



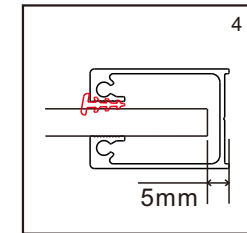
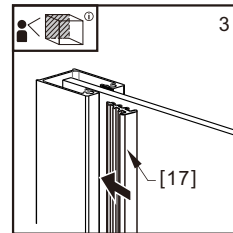
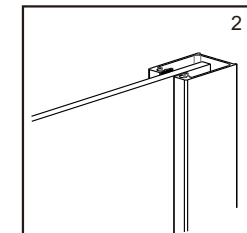
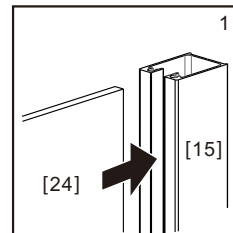
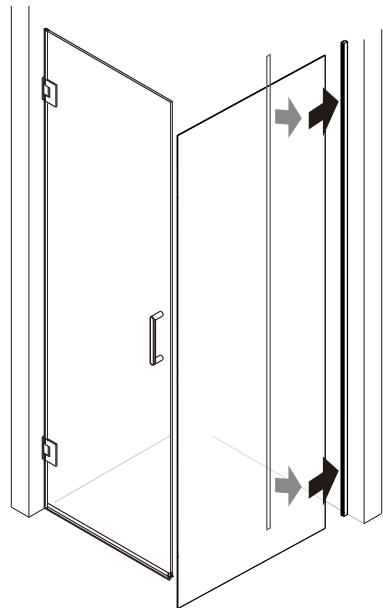
02



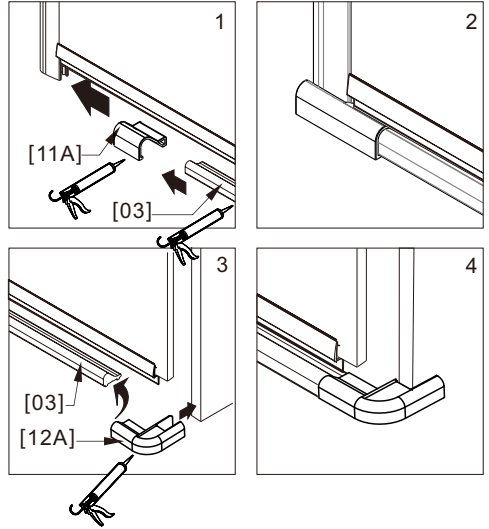
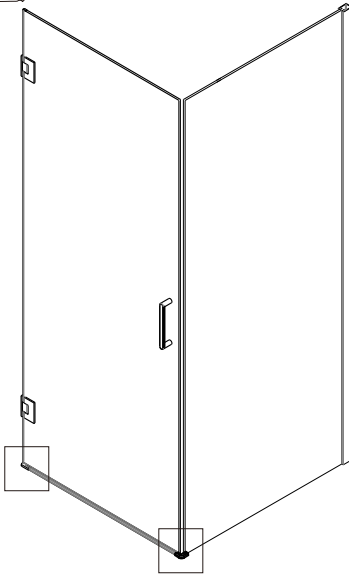
4x



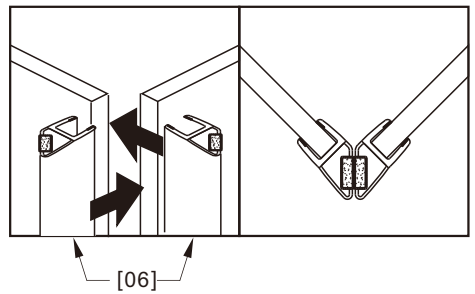
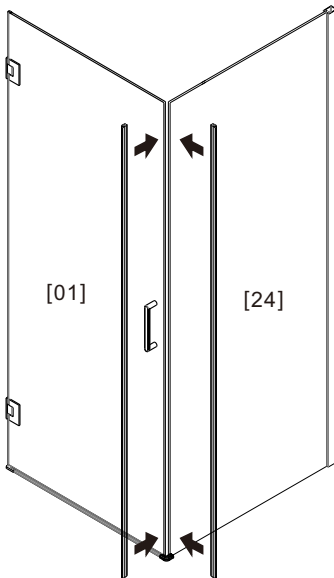
03



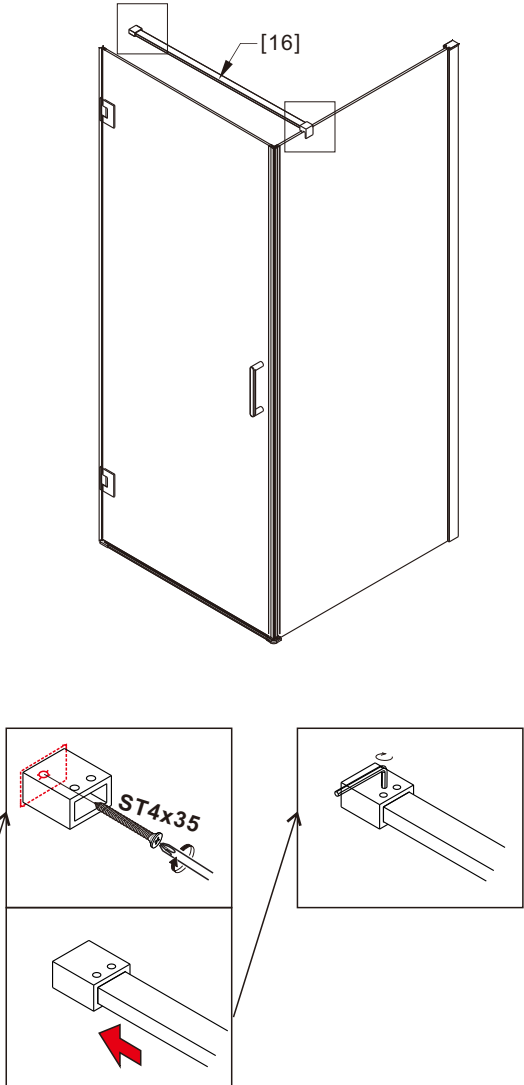
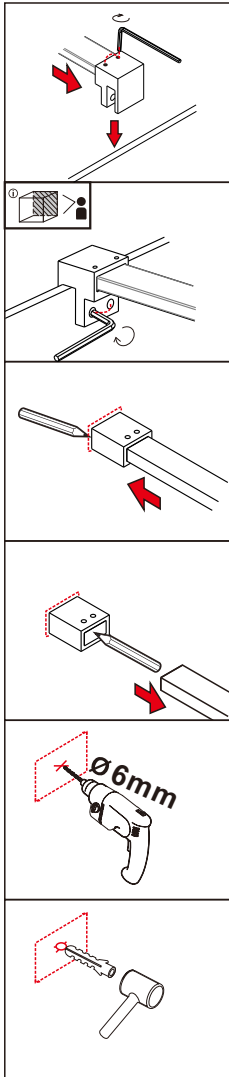
04



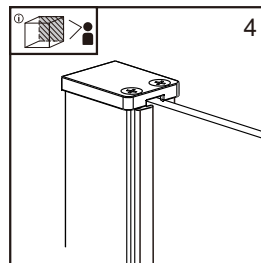
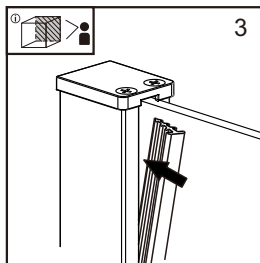
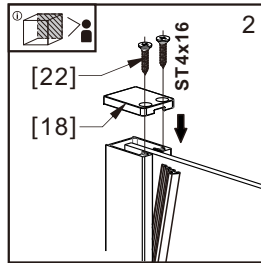
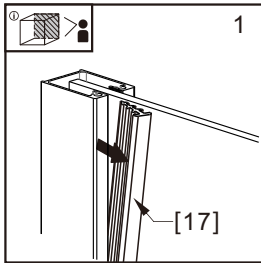
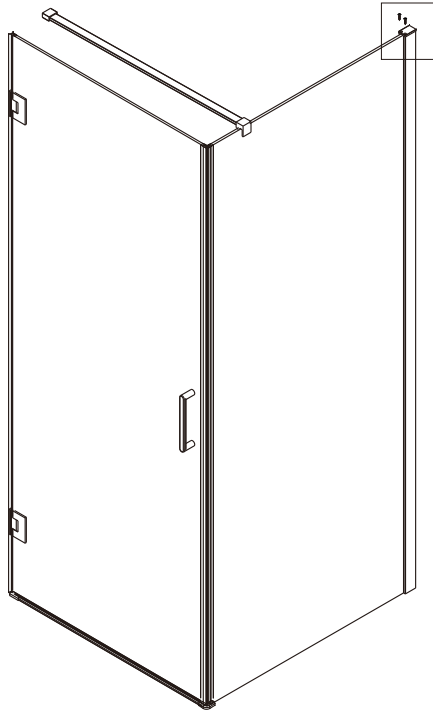
05



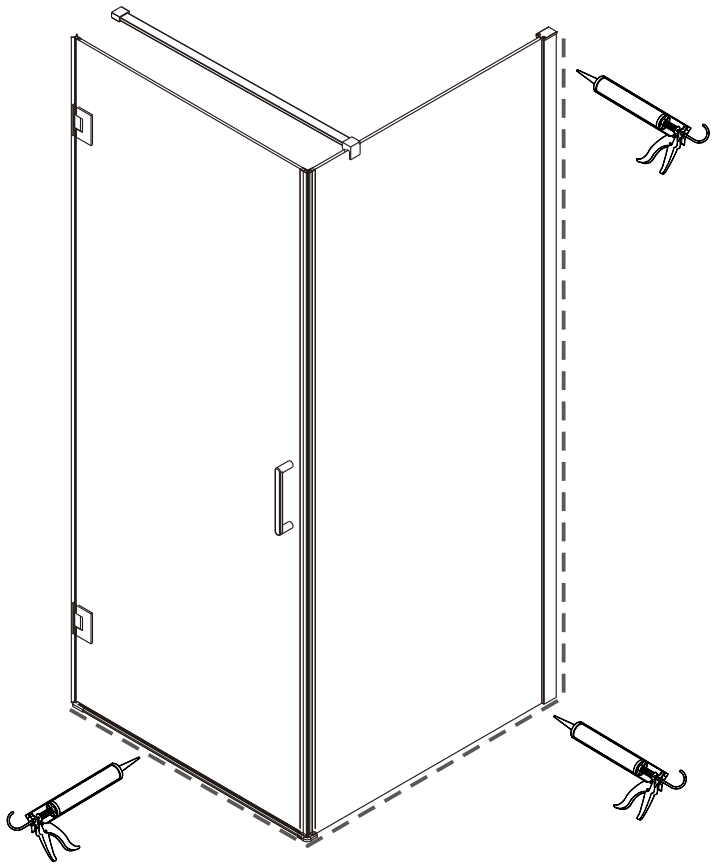
06

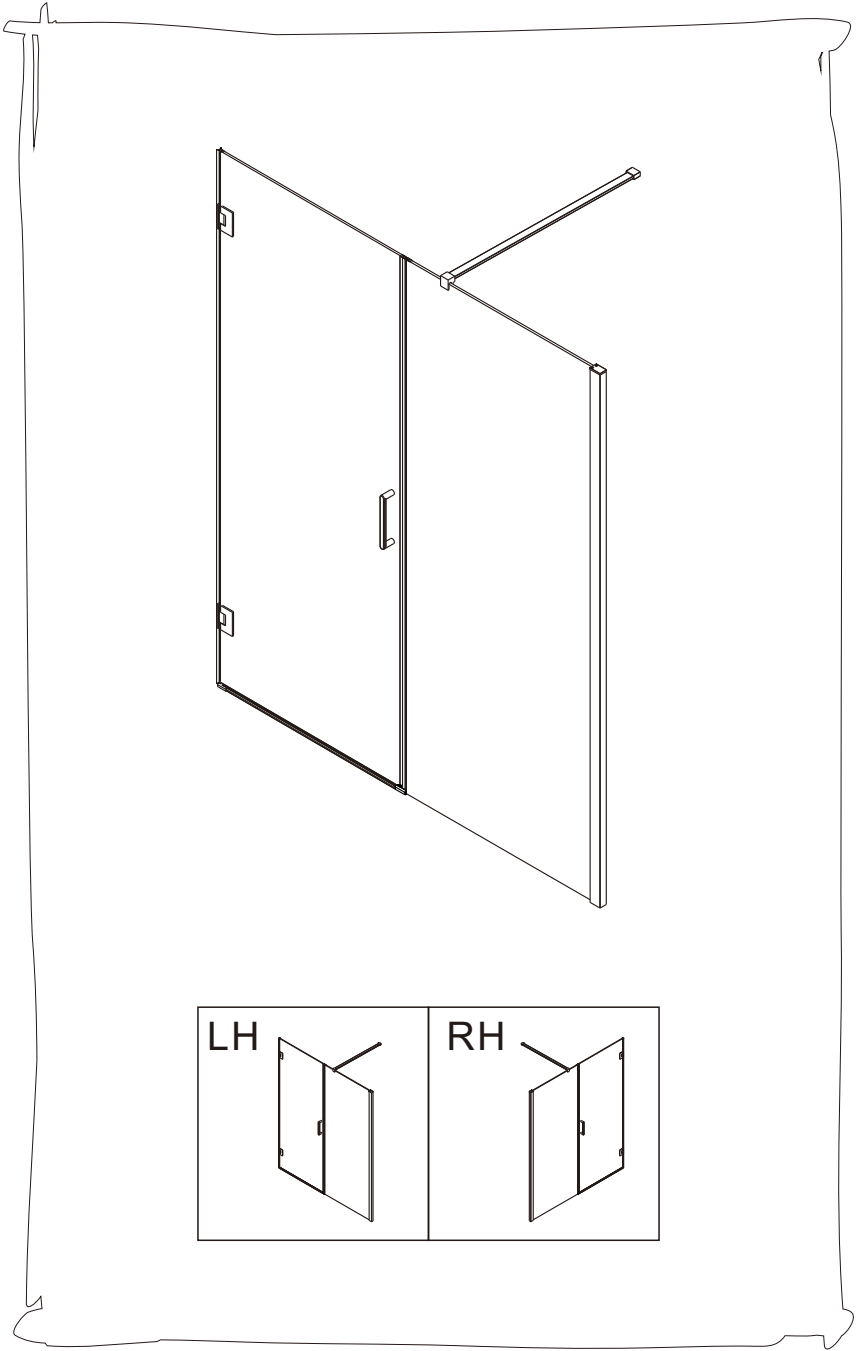


07



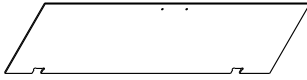
08







Box -1



[01] x1



Box -2



[02] x1



[03] x1



[04] x1



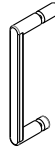
[05] x1



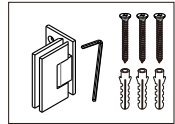
[06] x3



[07] x1



[08] x1



[09] x2



[10A] x1



[10B] x1



[11A] x1



[11B] x1



[12A] x1



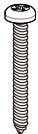
[12B] x1



[25] x1



[13] x4

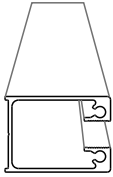


ST4x35

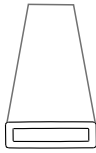
[14] x4



Box -3



[15] x1



[16] x1



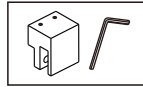
[17] x1



[18] x1



[19] x1



[20] x1

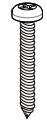


[21] x4



ST4x16

[22] x2



ST4x30

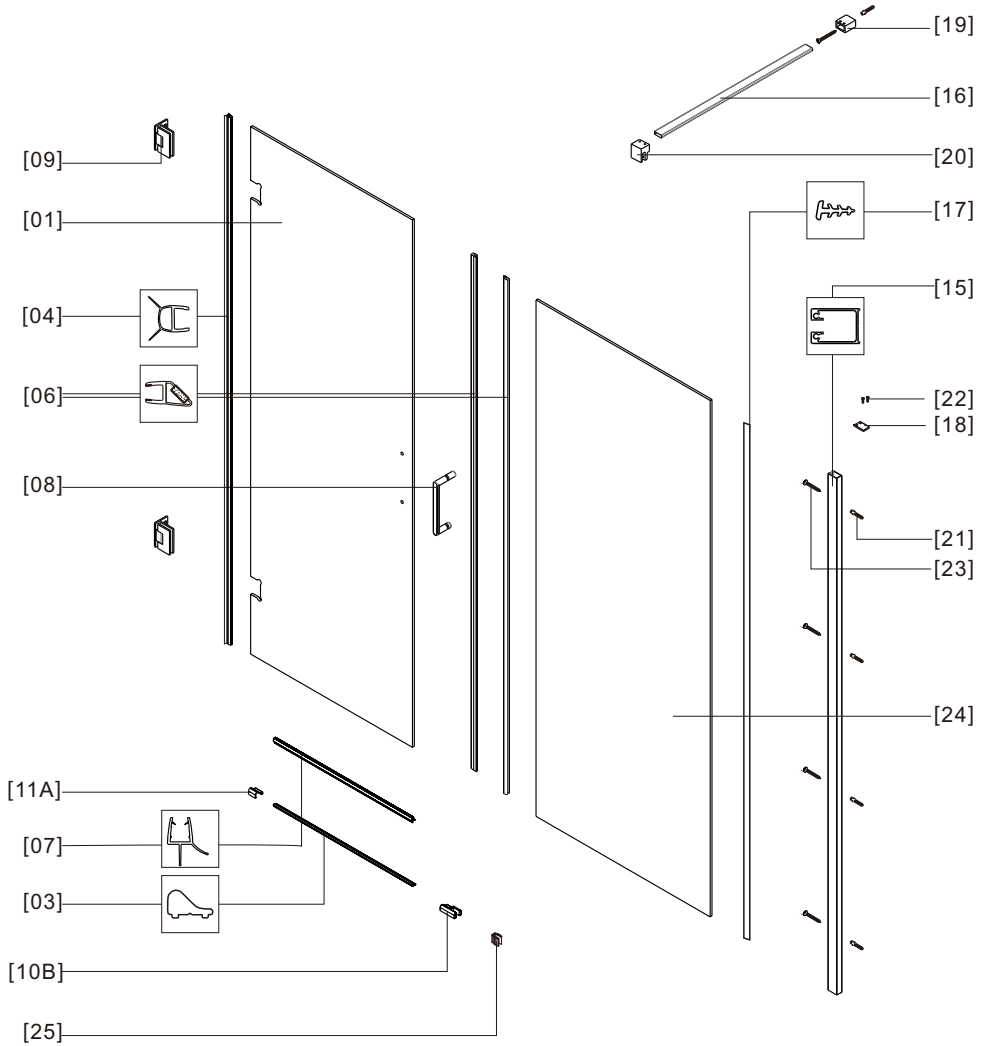
[23] x4



Box -4



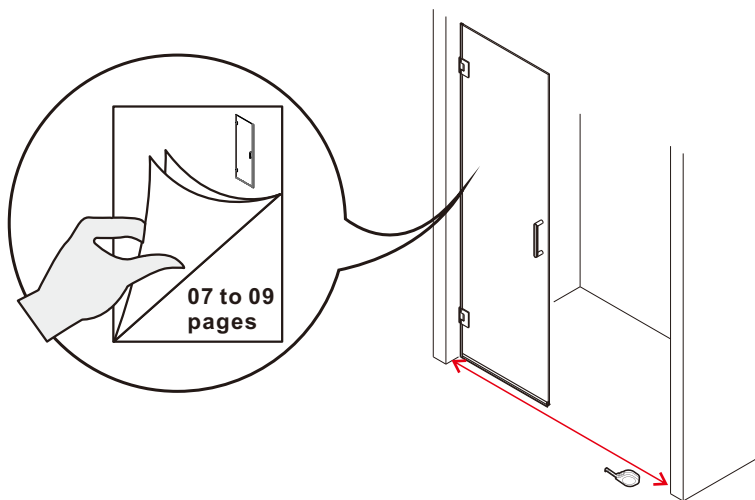
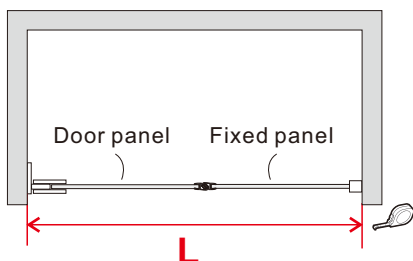
[24] x1



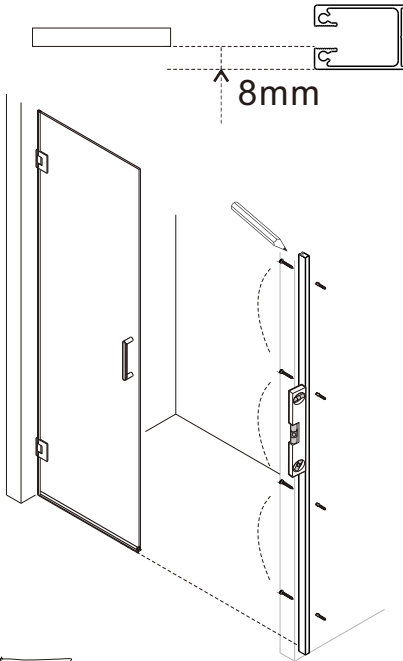


01

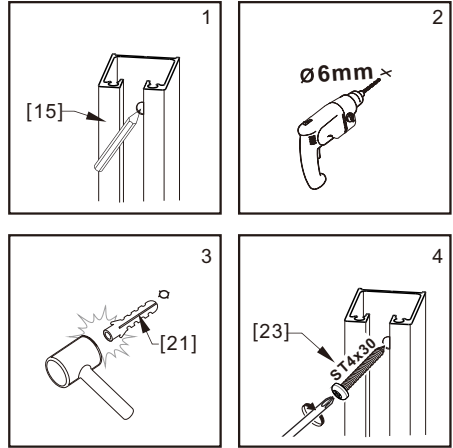
min.-max. Fixed panel	Door panel	600	700	800	900	1000
300		847-872	947-972	1047-1072	1147-1172	1247-1272
400		947-972	1047-1072	1147-1172	1247-1272	1347-1372
500		1047-1072	1147-1172	1247-1272	1347-1372	1447-1472
600		1147-1172	1247-1272	1347-1372	1447-1472	1547-1572
700		1247-1272	1347-1372	1447-1472	1547-1572	1647-1672
800		1347-1372	1447-1472	1547-1572	1647-1672	1747-1772
900		1447-1472	1547-1572	1647-1672	1747-1772	1847-1872
1000		1547-1572	1647-1672	1747-1772	1847-1872	1947-1972
1100		1647-1672	1747-1772	1847-1872	1947-1972	2047-2072
1200		1847-1872	1947-1972	2047-2072	2147-2172	2247-2272
1400		2047-2072	2147-2172	2247-2272	2347-2372	2447-2472
1600		2247-2272	2347-2372	2447-2472	2547-2572	2647-2672
1800		2447-2472	2547-2572	2647-2672	2747-2772	2847-2872



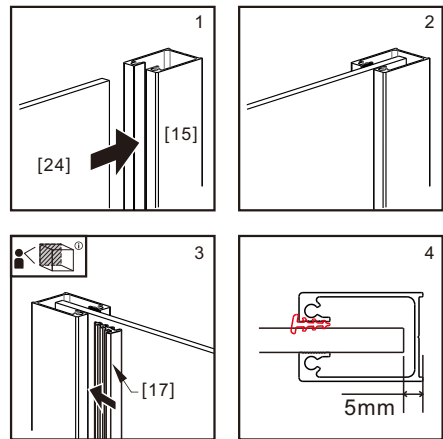
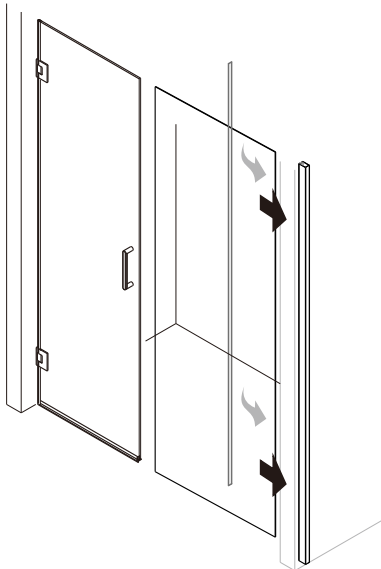
02



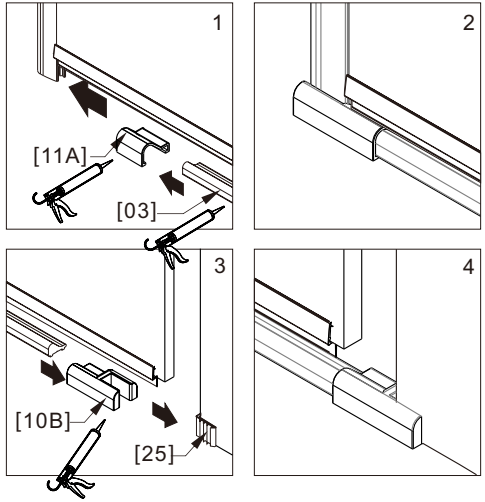
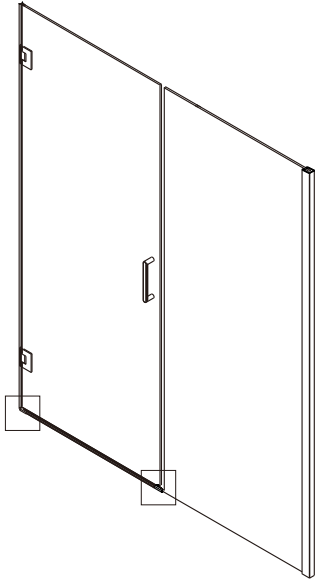
4x



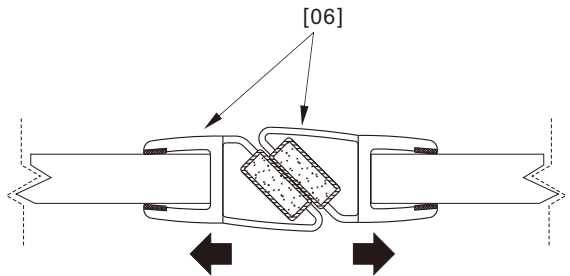
03



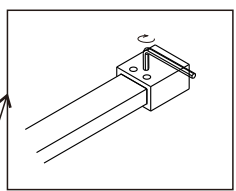
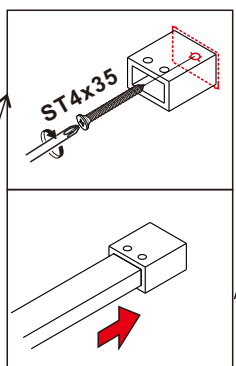
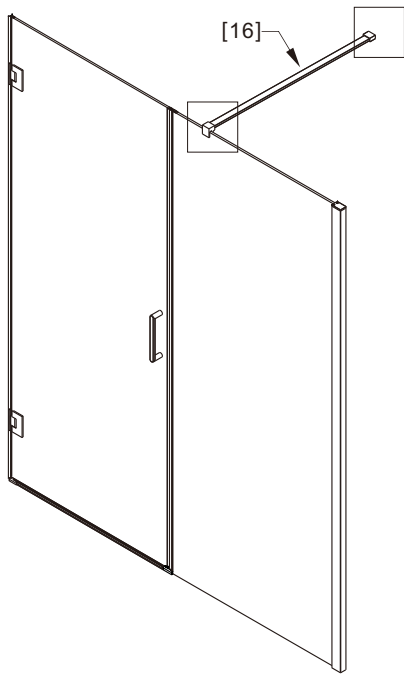
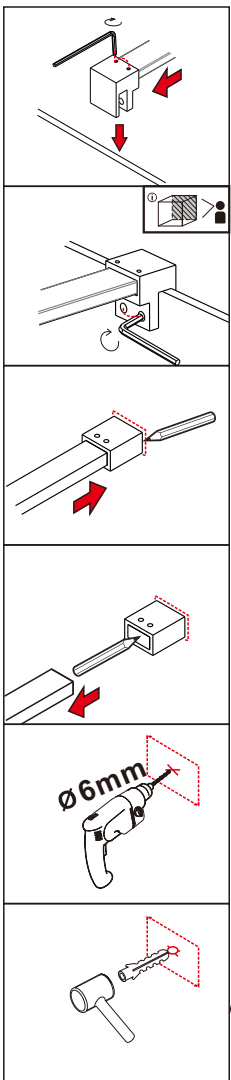
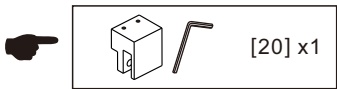
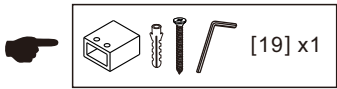
04



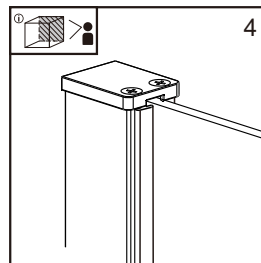
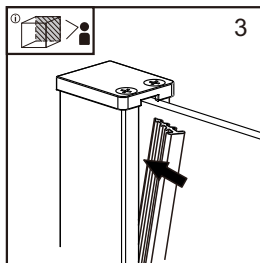
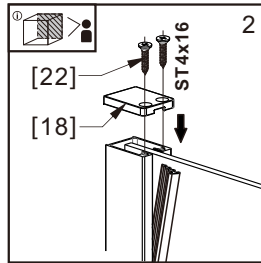
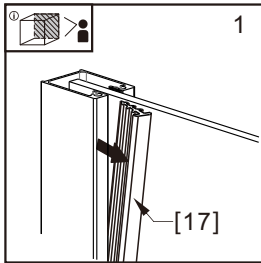
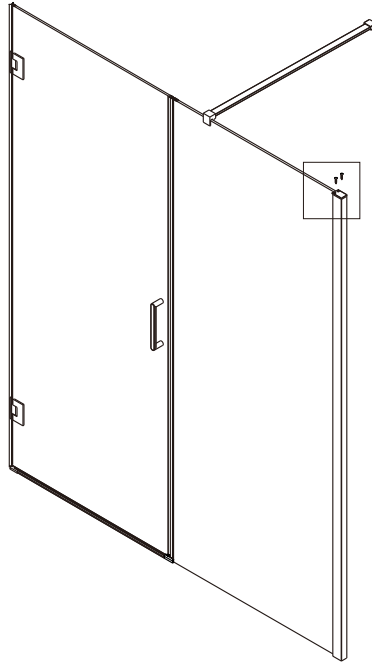
05



06



07



08

