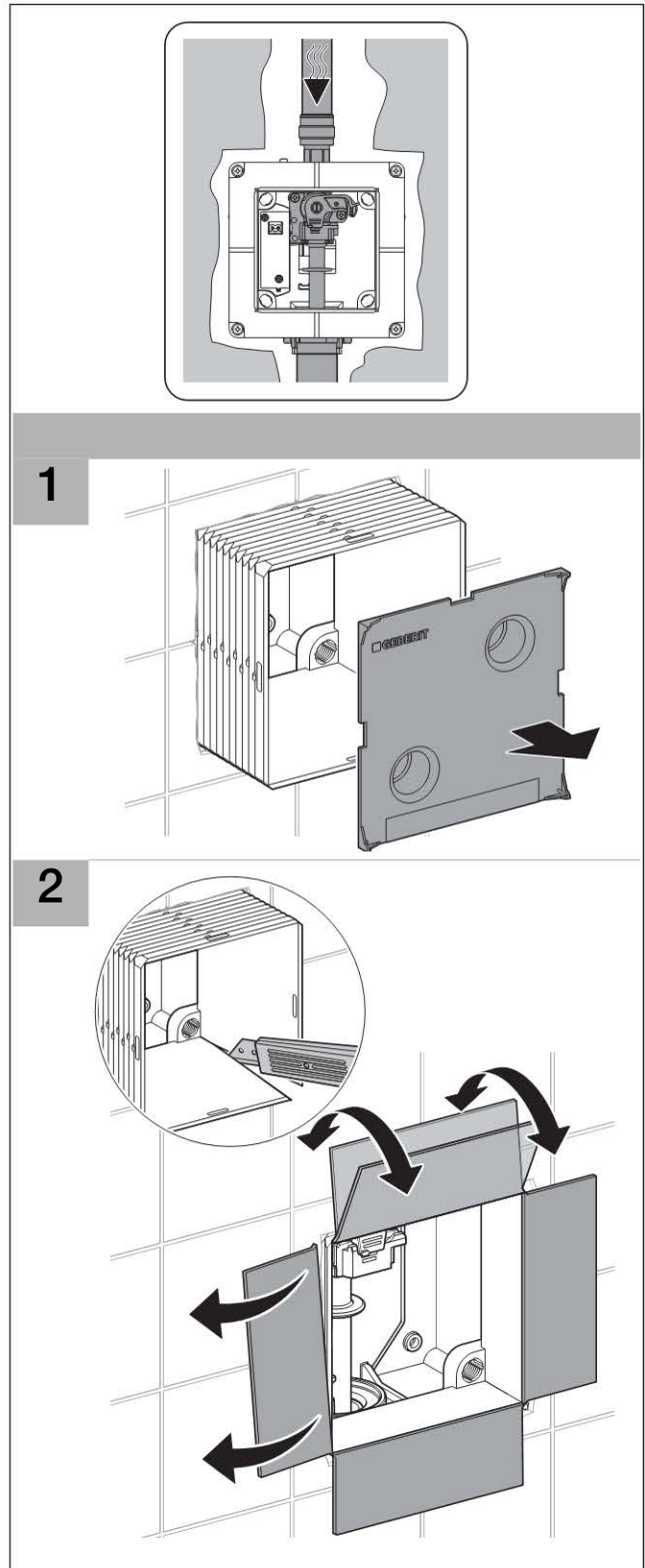
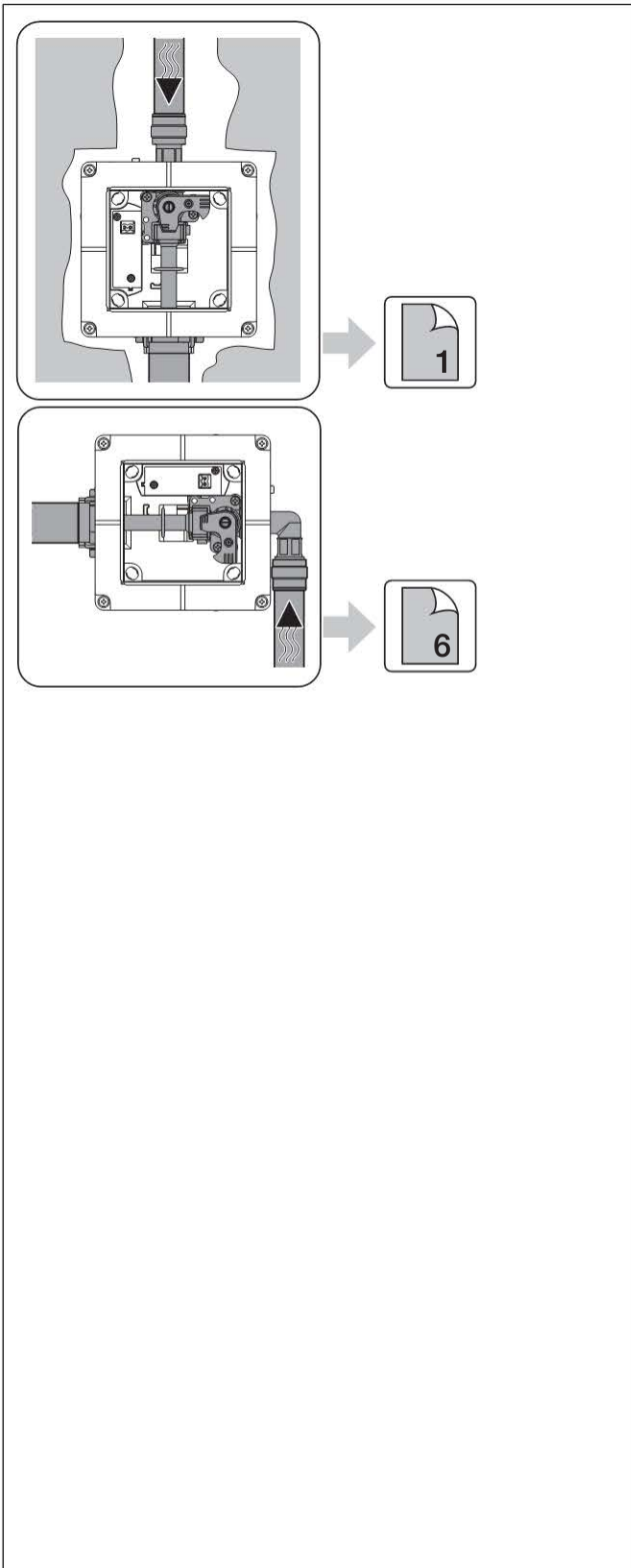
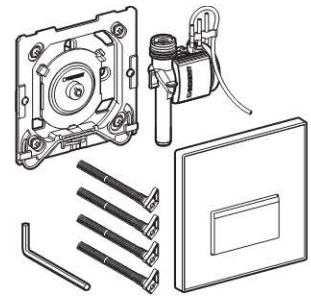
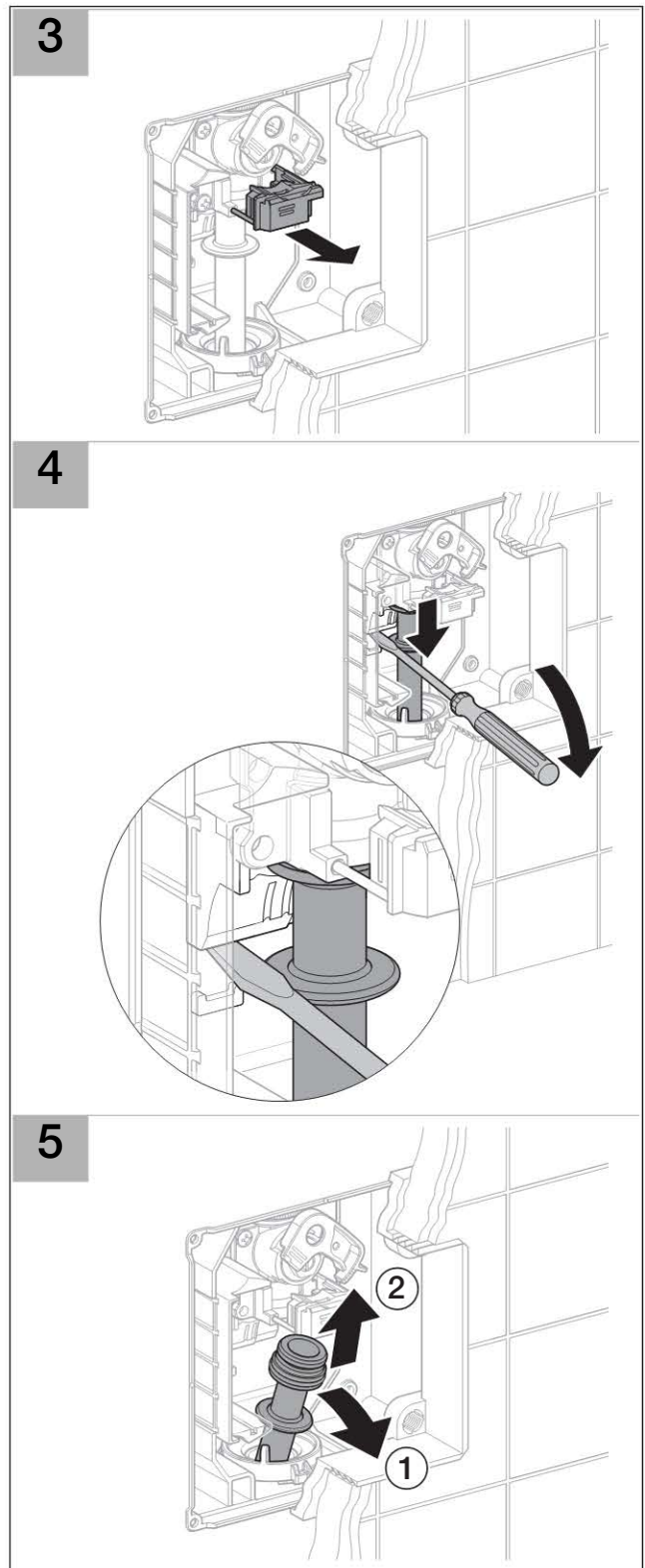
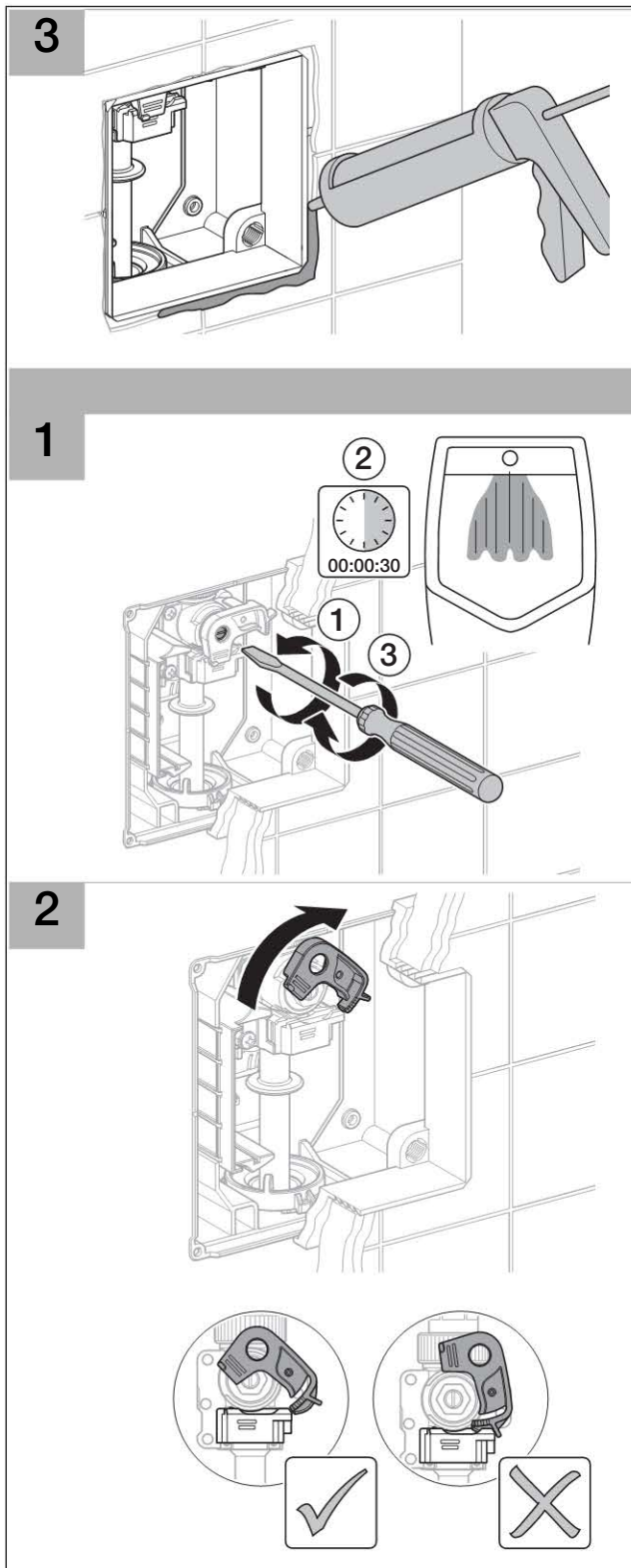


Installation

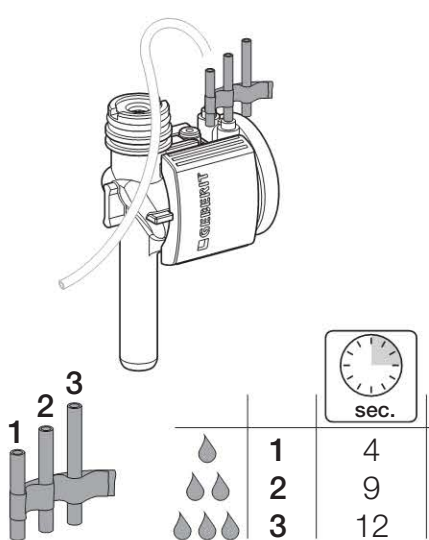
GEBERIT







D20559-002&BDC © 11-2009

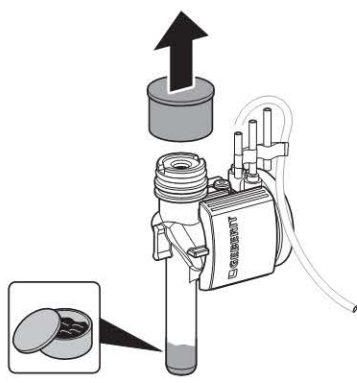


6

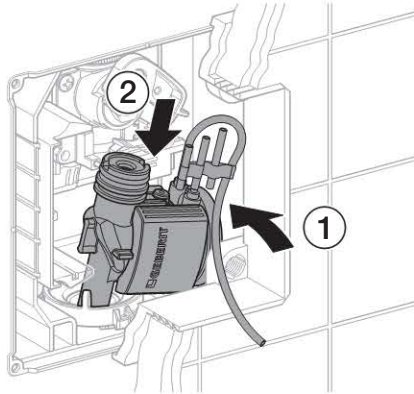


| | | |
|---|---|---|
| | |  |
| | | sec. |
| 1 |  | 4 |
| 2 |  | 9 |
| 3 |  | 12 |

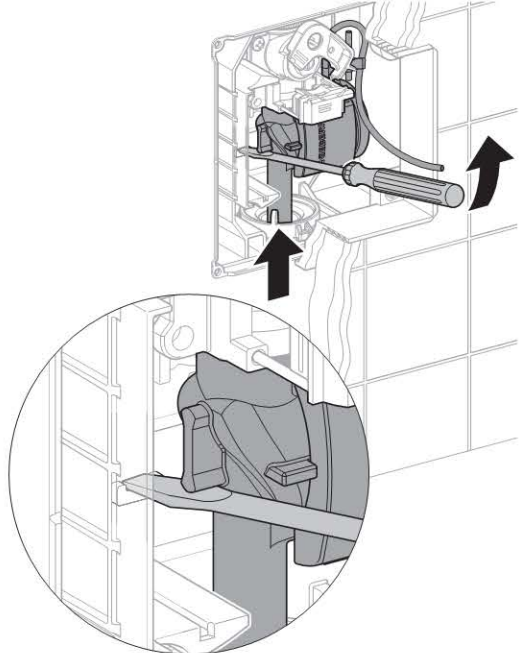
7



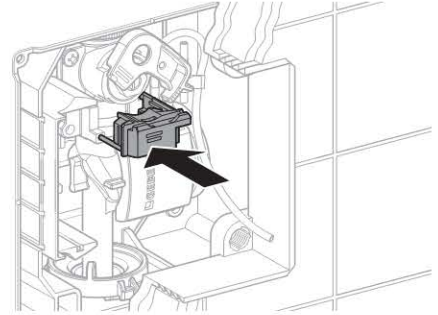
8



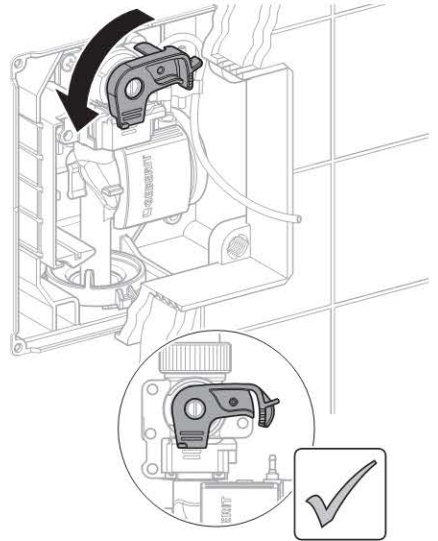
9

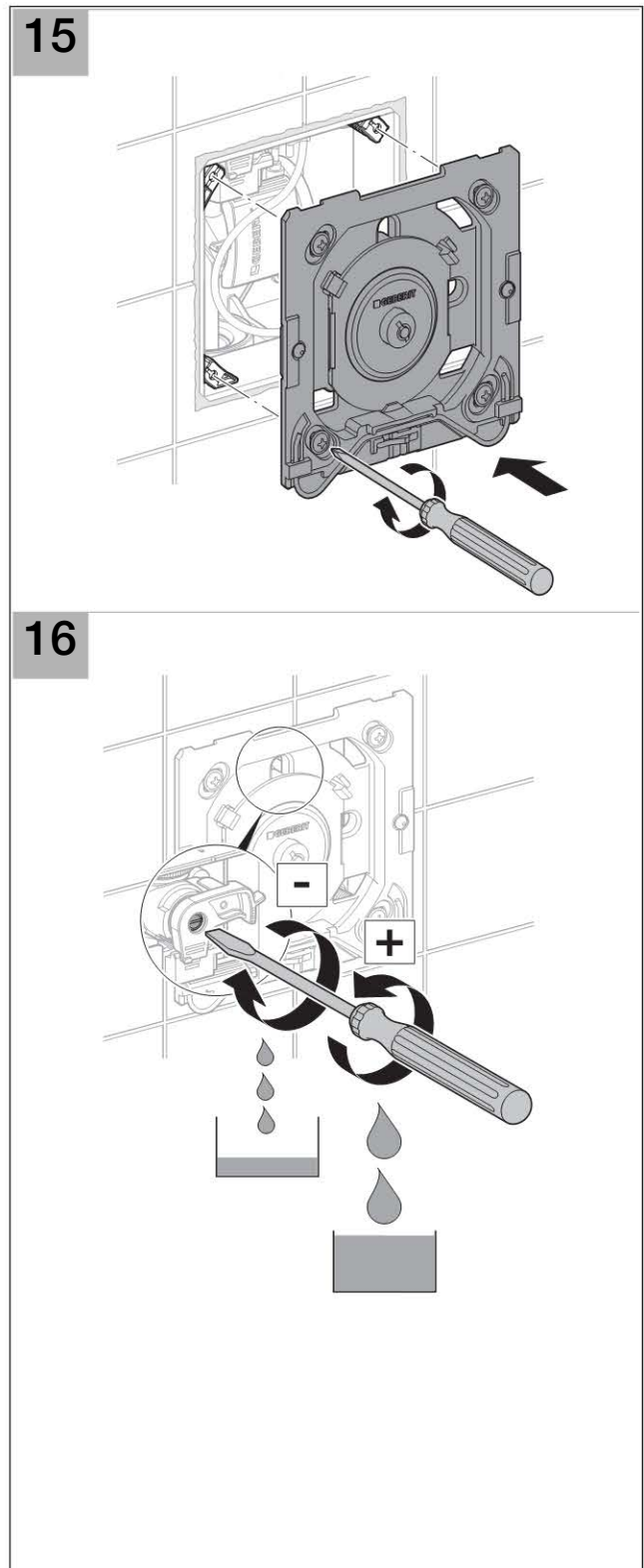
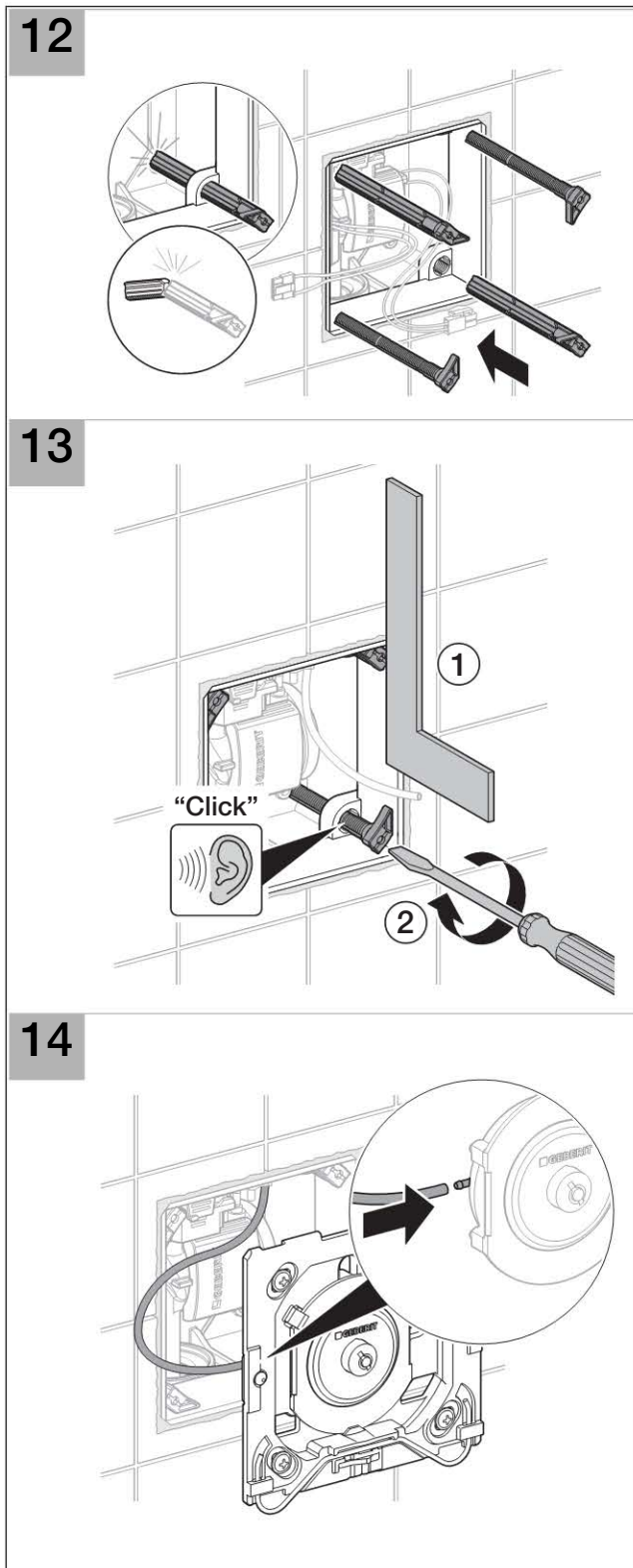


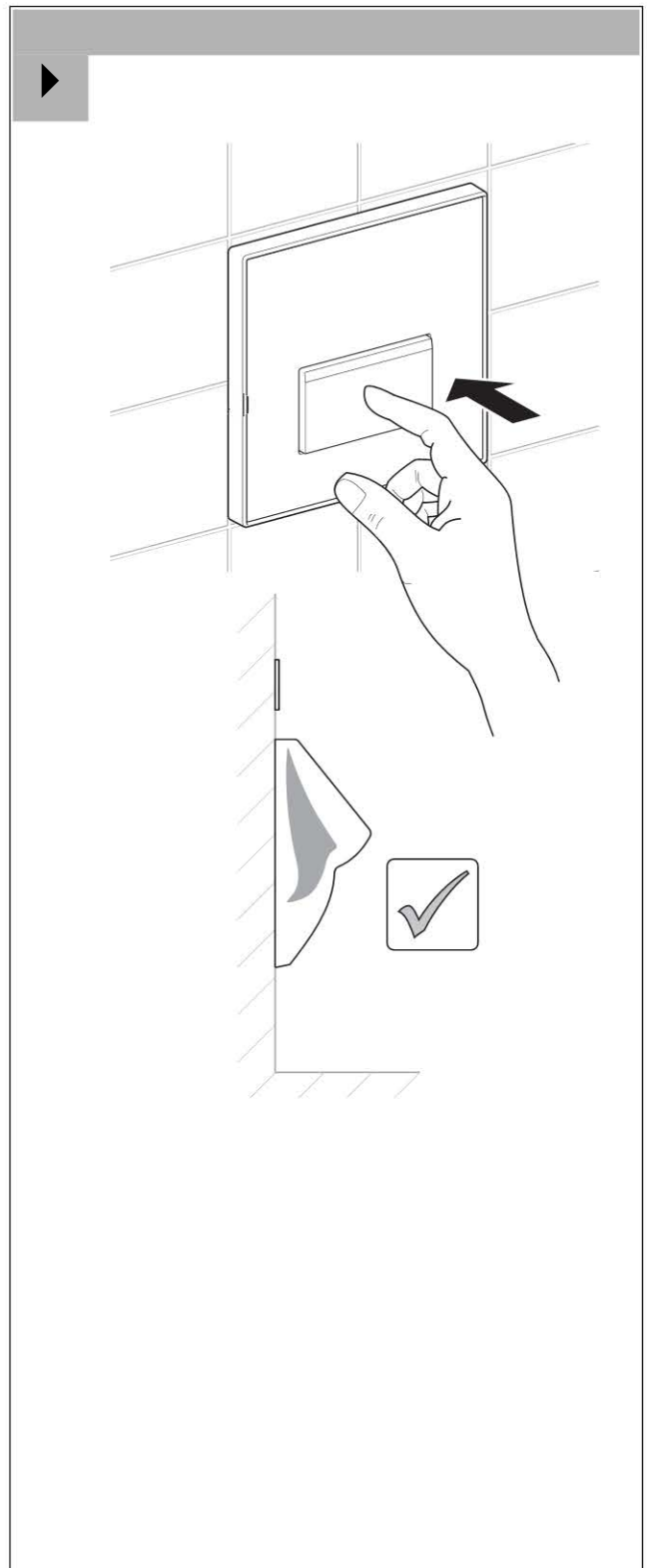
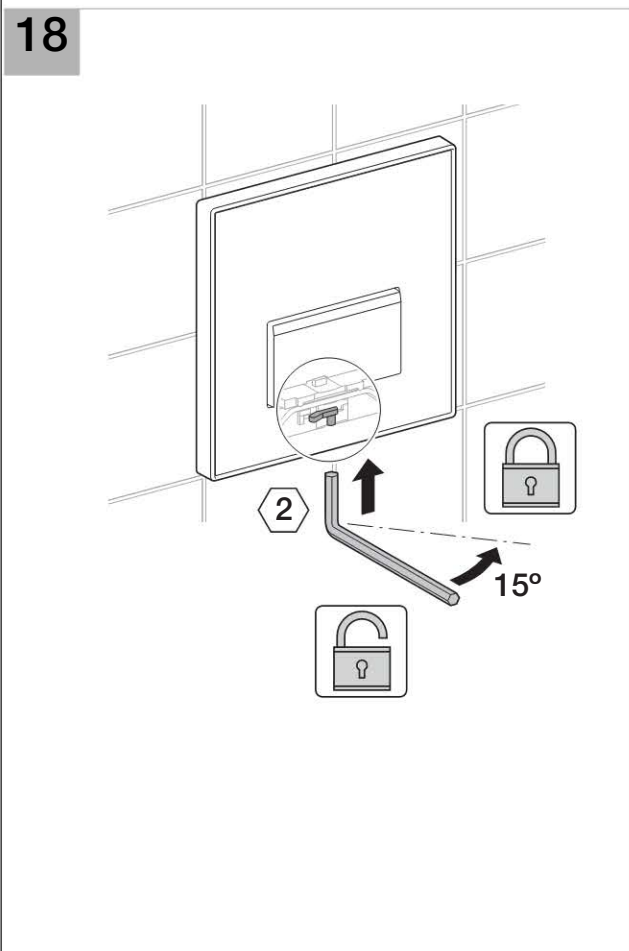
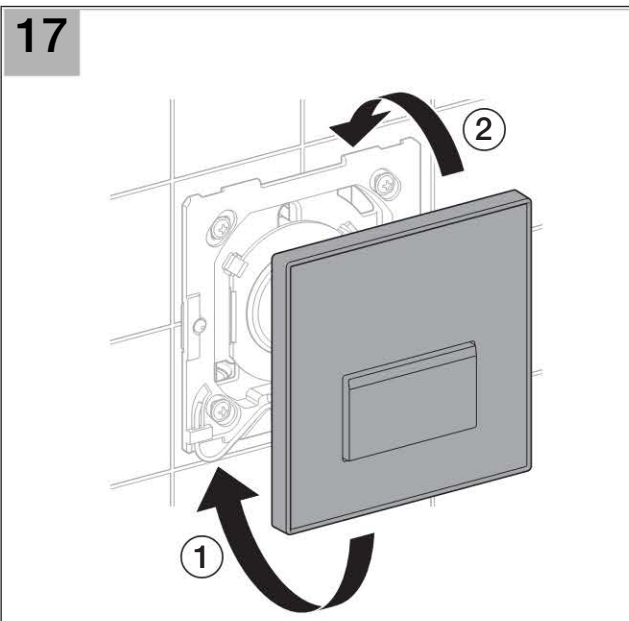
10

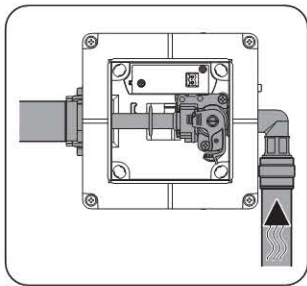


11

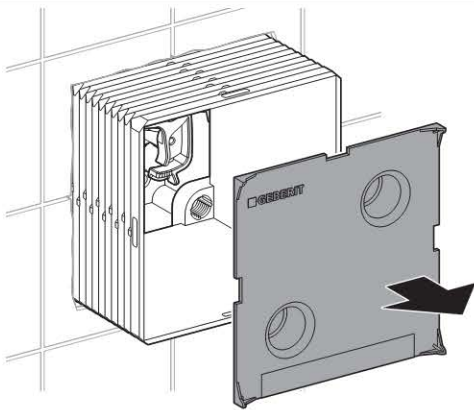




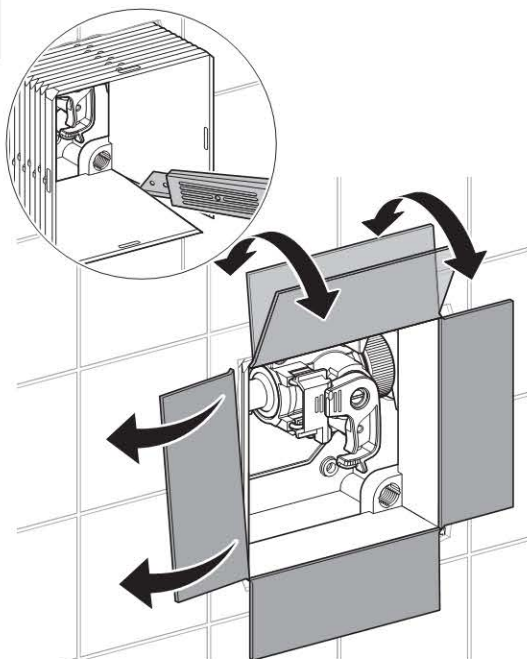




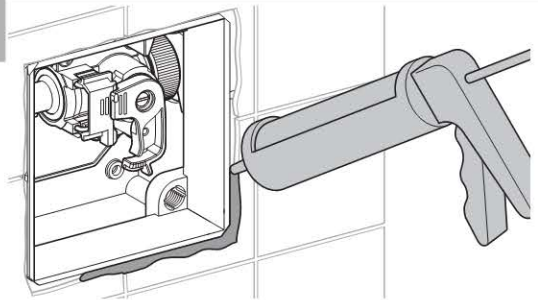
1



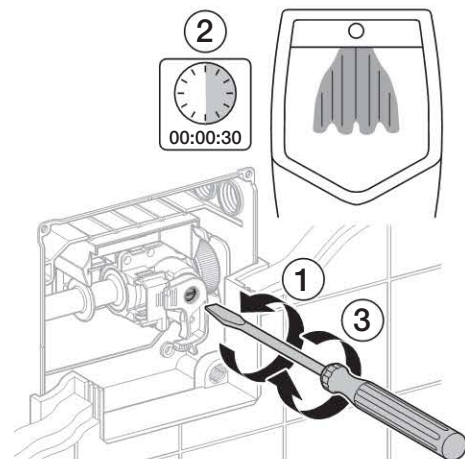
2



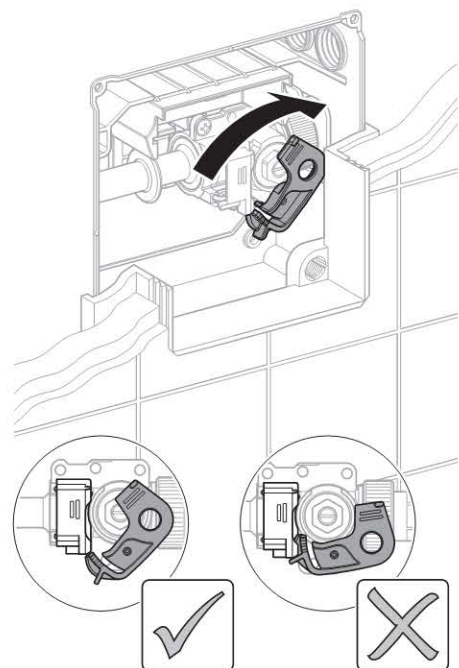
3

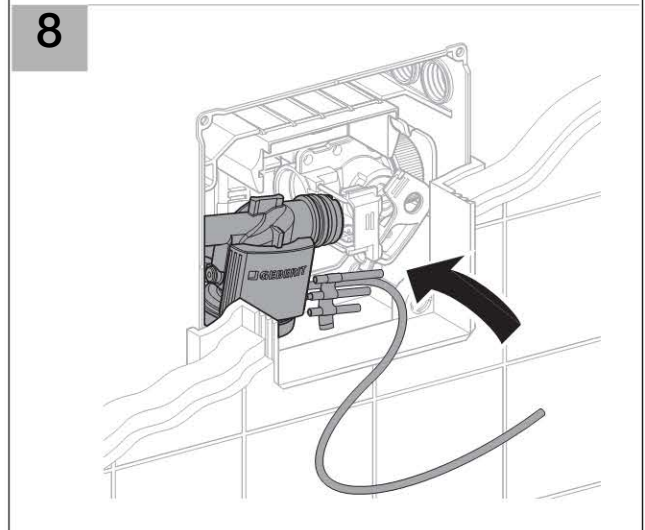
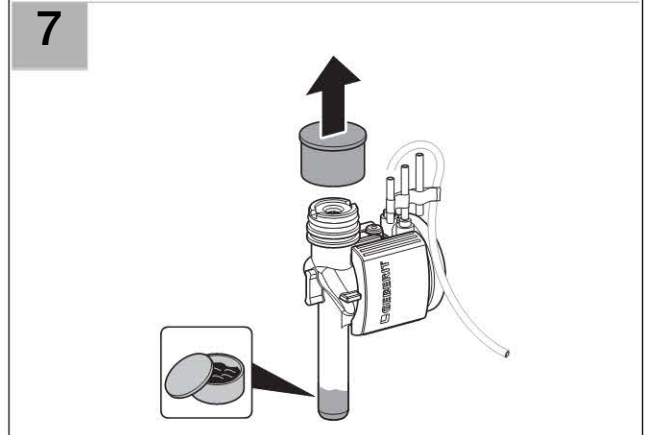
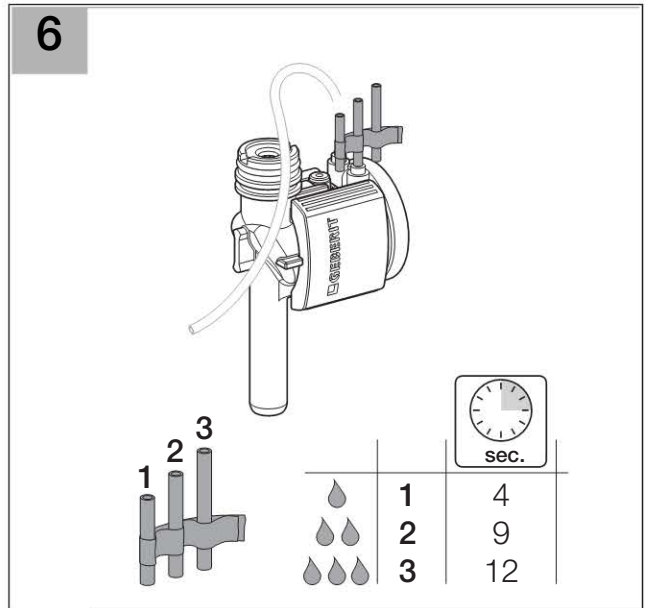
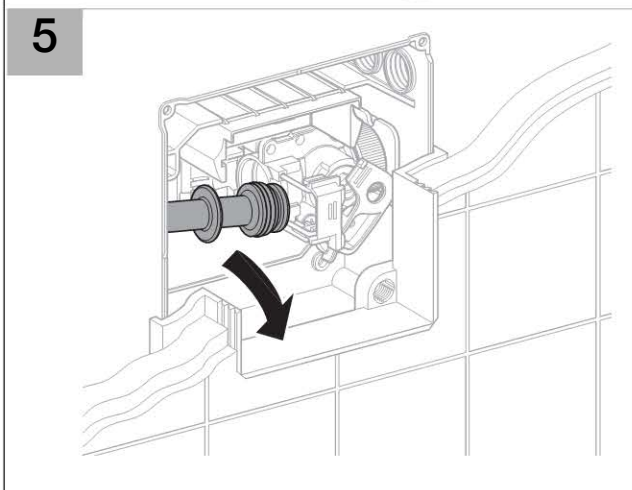
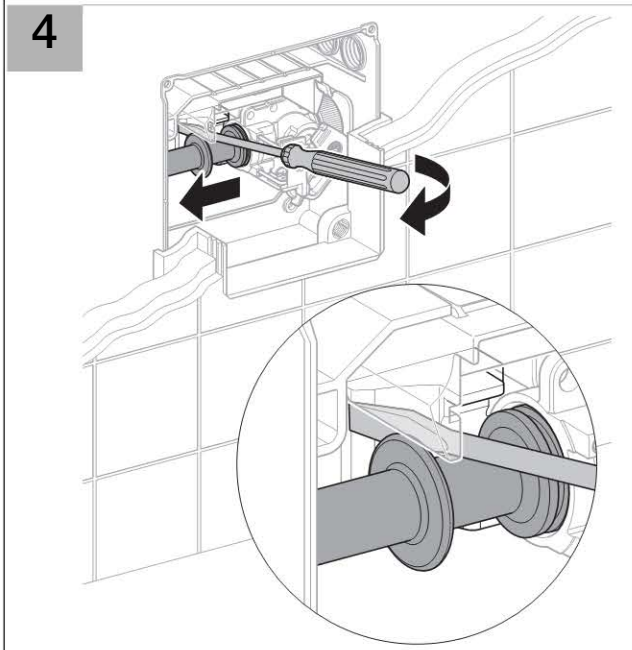
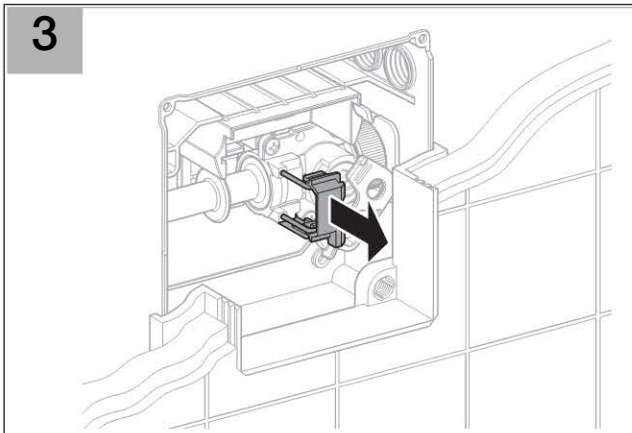


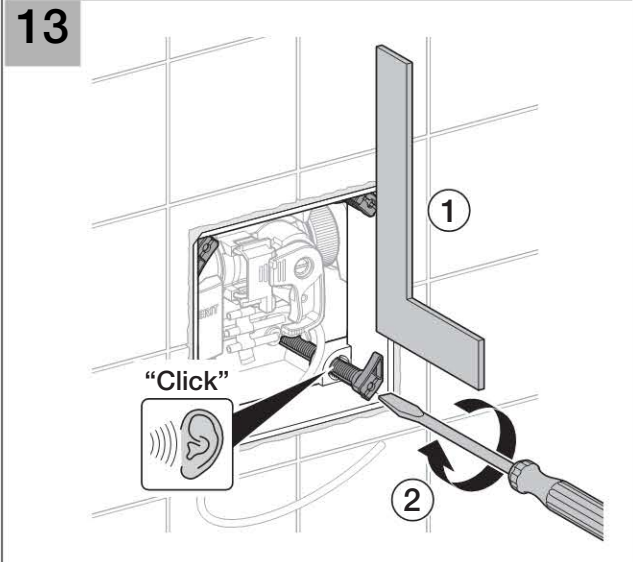
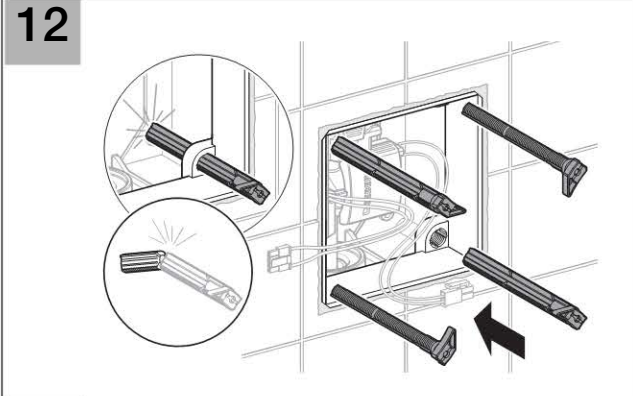
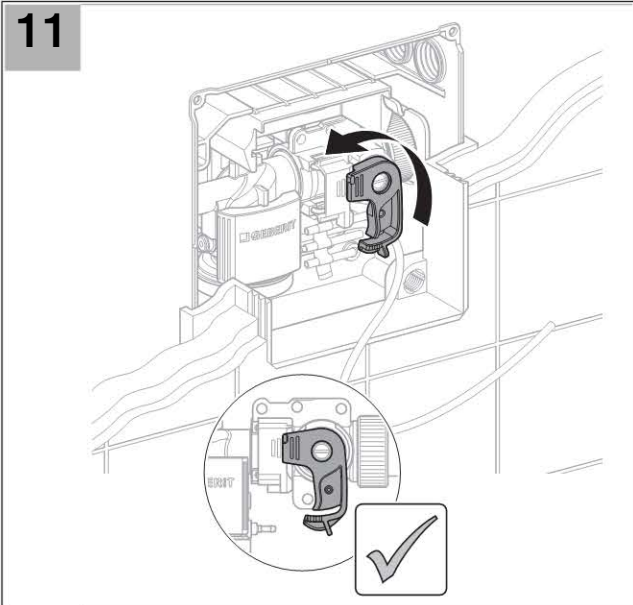
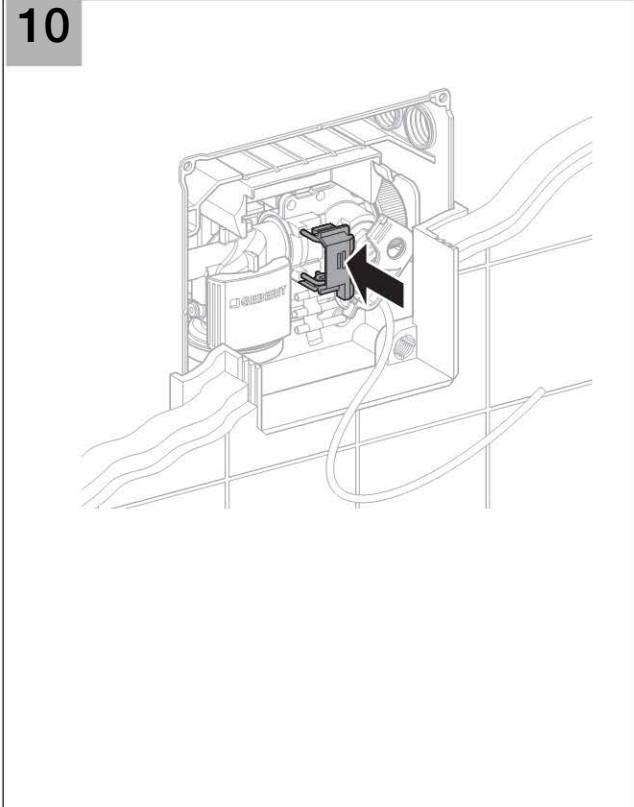
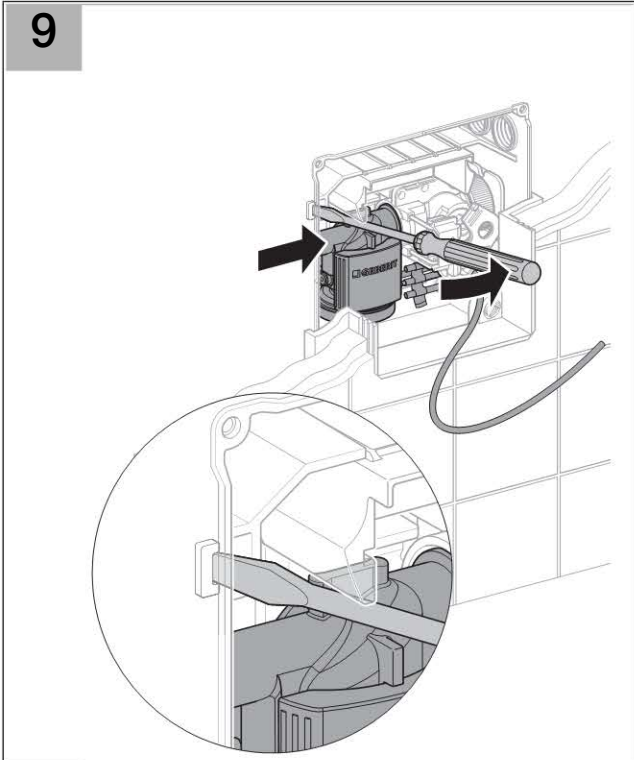
1

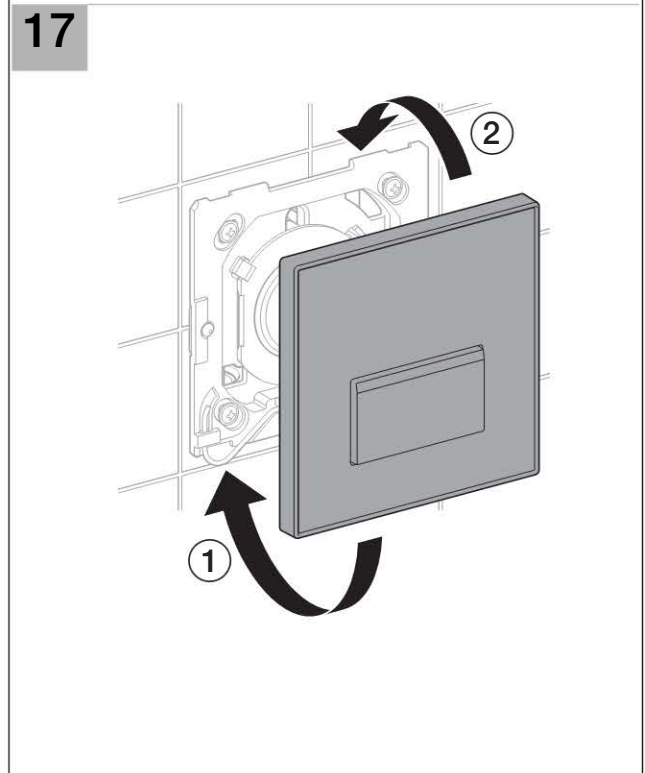
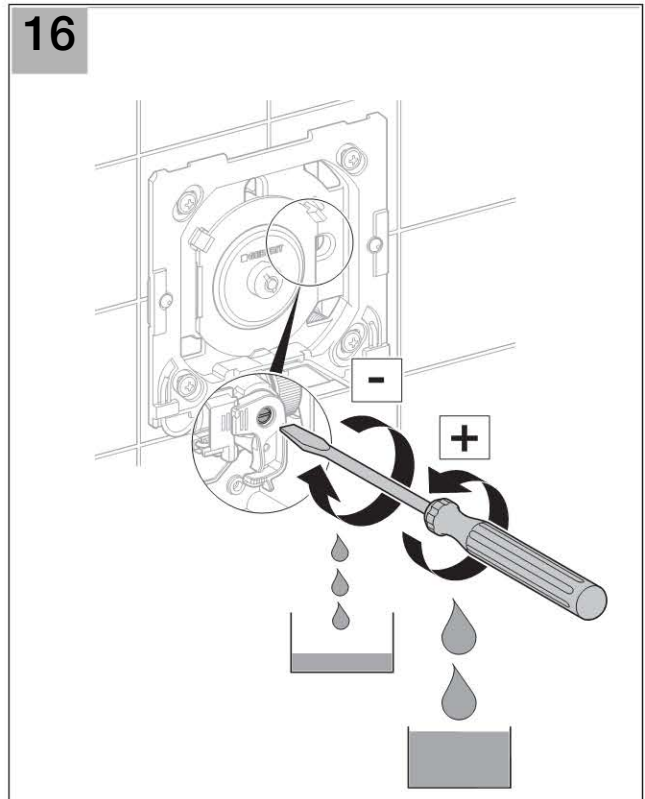
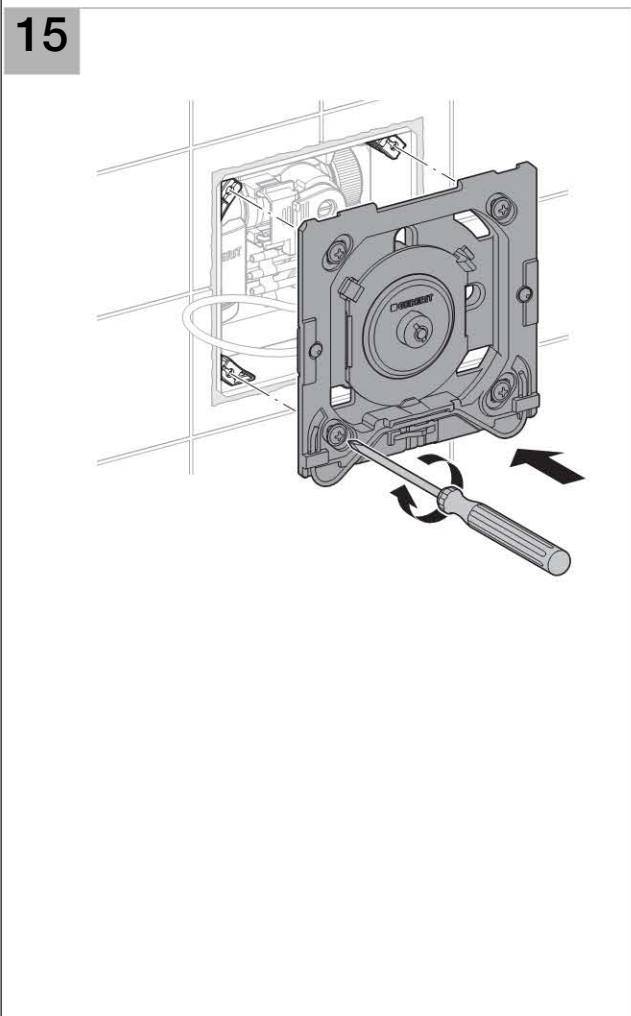
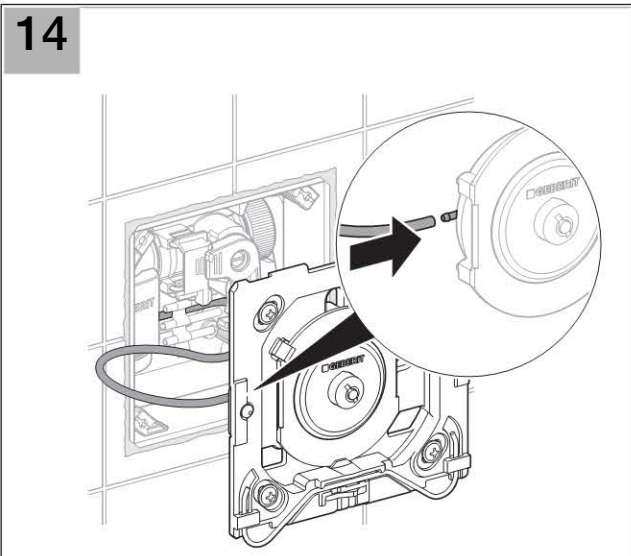


2

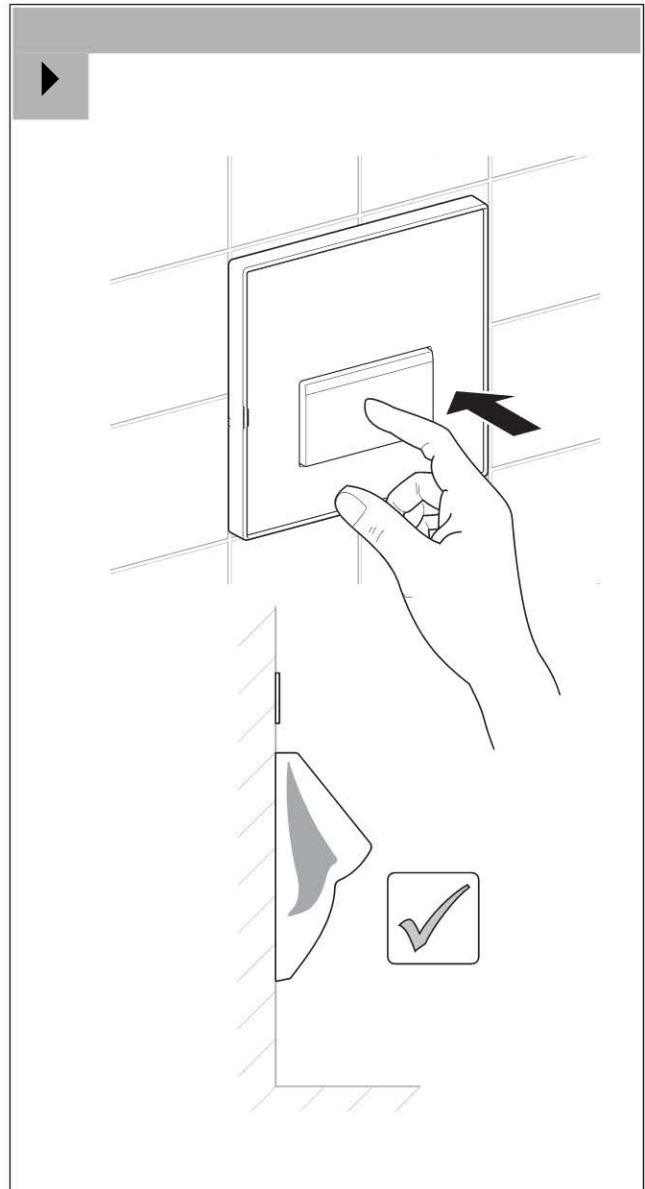
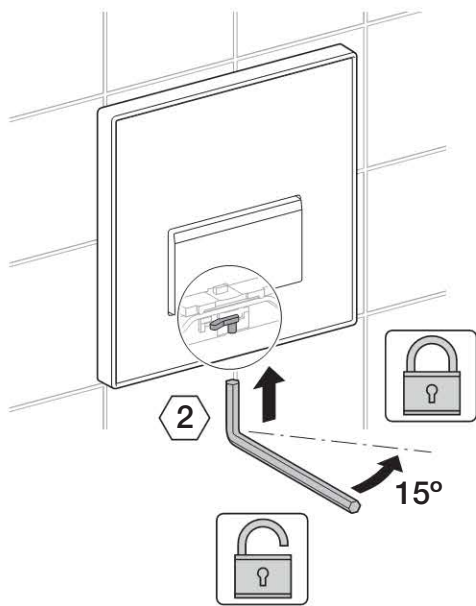








18



Geberit International AG
Schachenstrasse 77
CH-8645 Jona
www.geberit.com
dokumentation@geberit.com

D20559-002&BDC © 11-2009