



SPECIFICATIONS

Built-in 2-ways single control mixer

Chrome finish

Anti limescale aerator M 28 x 1

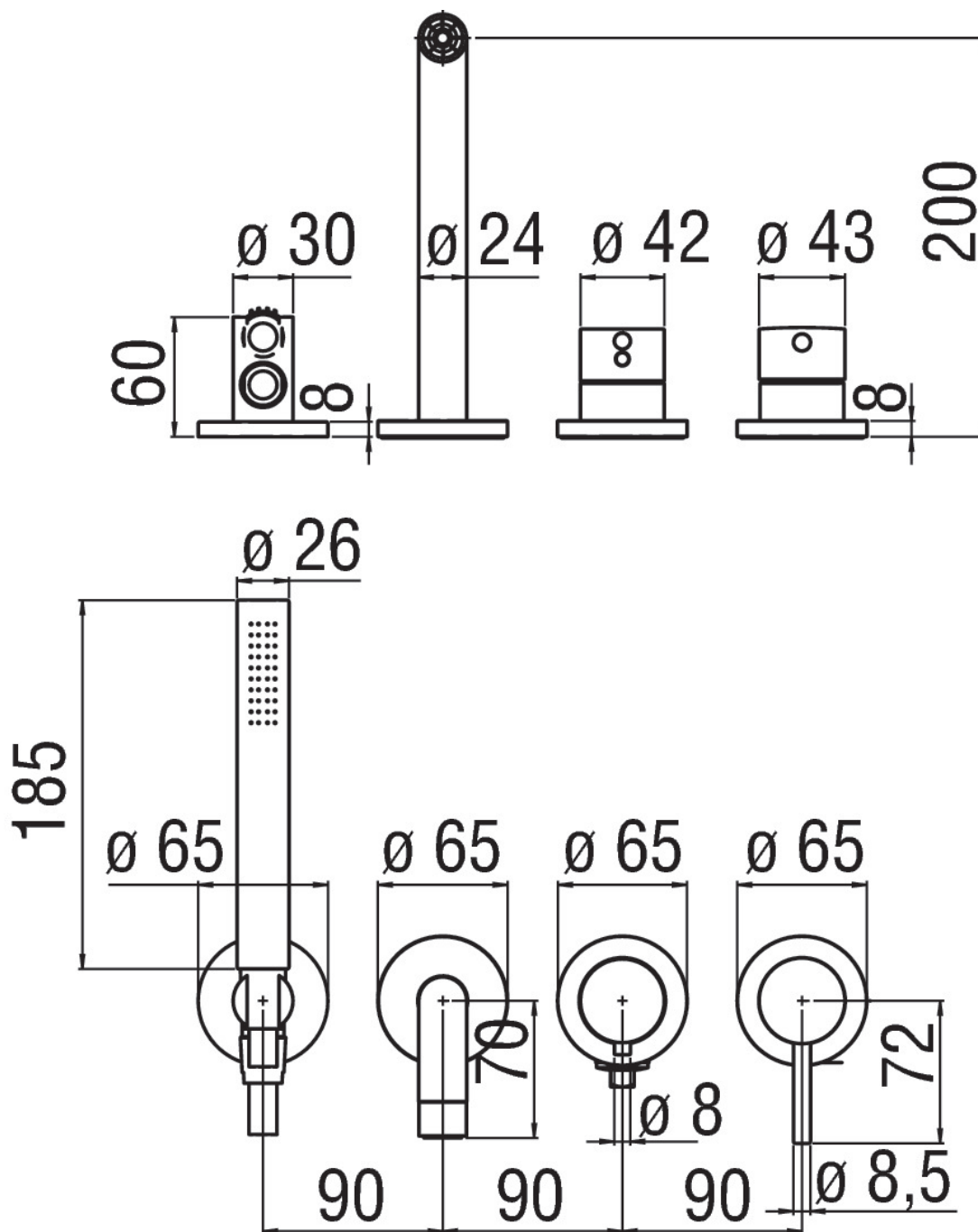
2-way deviator

Fixed hand shower support

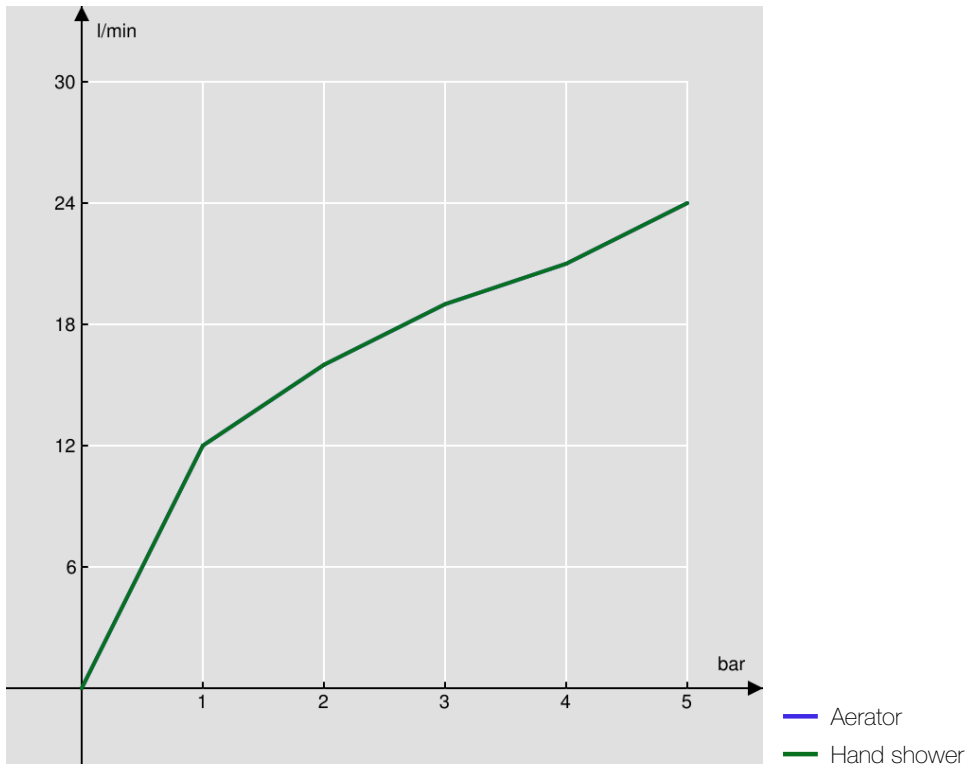
Single jet hand shower

150 cm hose

Dynamic flow limiter



FLOW RATE DIAGRAM: HOT/COLD WATER



FLOW RATE DIAGRAM: MIXED WATER

