

Instructions for Use

Odour trap



for washbasins with 1 ¼ inch connection

Model
5634.15

Year built (from)
07/2021

viega

Table of contents

1	About these instructions for use	3
	1.1 Target groups	3
	1.2 Labelling of notes	3
	1.3 About this translated version	4
2	Product information	5
	2.1 Areas of application	5
	2.2 Product description	5
	2.3 Technical data	5
3	Handling	7
	3.1 Assembly	7
	3.1.1 Assembly	7
	3.1.2 Leakage test	8
	3.2 Care and cleaning	8
	3.3 Disposal	10

1 About these instructions for use

1.1 Target groups

The information in this instruction manual is directed at the following groups of people:

- Heating and plumbing experts and trained personnel

Individuals without the abovementioned training or qualification are not permitted to mount, install and, if required, maintain this product. This restriction does not extend to possible operating instructions.

The installation of Viega products must take place in accordance with the general rules of engineering and the Viega instructions for use.

1.2 Labelling of notes

Warning and advisory texts are set aside from the remainder of the text and are labelled with the relevant pictographs.



DANGER!

This symbol warns of possible life-threatening injury.



WARNING!

This symbol warns of possible serious injury.



CAUTION!

This symbol warns of possible injury.



NOTICE!

This symbol warns of possible damage to property.



This symbol gives additional information and hints.

1.3 About this translated version

This instruction for use contains important information about the choice of product or system, assembly and commissioning as well as intended use and, if required, maintenance measures. The information about the products, their properties and application technology are based on the current standards in Europe (e.g. EN) and/or in Germany (e.g. DIN/DVGW).

Some passages in the text may refer to technical codes in Europe/Germany. These should serve as recommendations in the absence of corresponding national regulations. The relevant national laws, standards, regulations, directives and other technical provisions take priority over the German/European directives specified in this manual: The information herein is not binding for other countries and regions; as said above, they should be understood as a recommendation.

2 Product information

2.1 Areas of application



NOTICE!

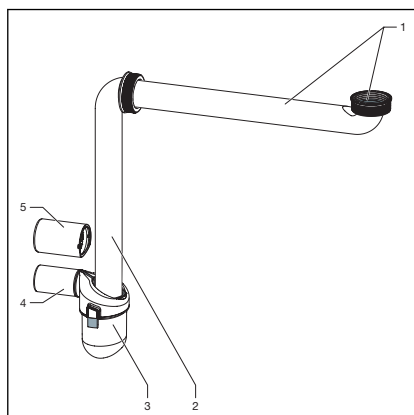
Risk of damage due to unsuitable liquids

To avoid damaging the drain, only introduce the following liquids:

- Typical household wastewater with temperatures up to 95 °C
- The pH value must be higher than 4 but lower than 10.

The odour trap is suitable for washbasins with 1¼ inch connection.

2.2 Product description



- 1 Drain elbow for 1¼ inch connection with union nut and seal
- 2 Vertical drain elbow with wedge seal, sliding ring and union nut
- 3 Odour trap with cup
- 4 Outlet pipe Ø32 mm
- 5 Adapter Ø32/40

2.3 Technical data

Drainage capacity	0.6 l/s
DN (nominal width) outlet pipe	DN 32/40 mm
Drain elbow connection	1¼
Water seal level	50 mm

Dimensional drawing

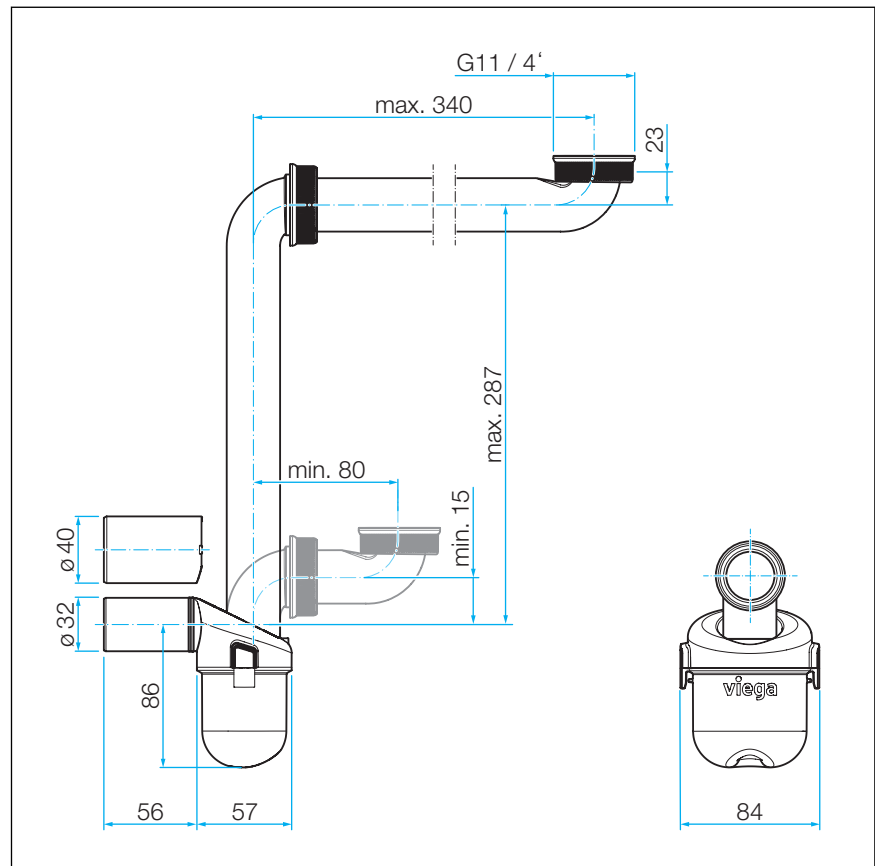


Fig. 1: Dimensional drawing

3 Handling

3.1 Assembly

3.1.1 Assembly

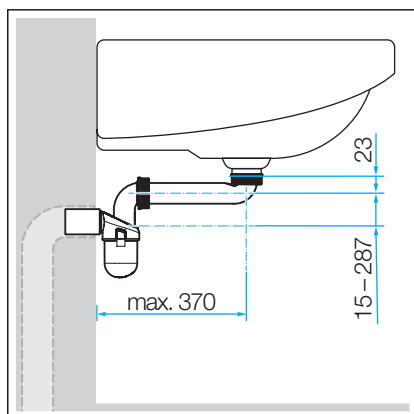
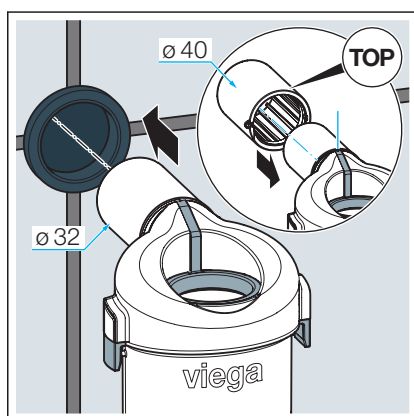


Fig. 2: Mounting dimensions

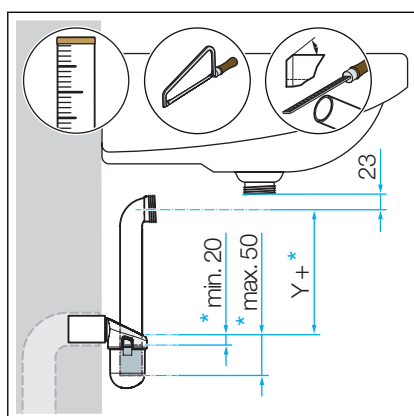
Requirements:

- The washbasin is mounted.
- The drain pipeline is installed.

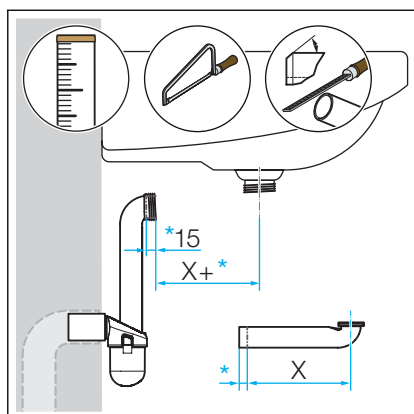


INFO! To extend the connection from DN32 to DN40, fit the adapter.

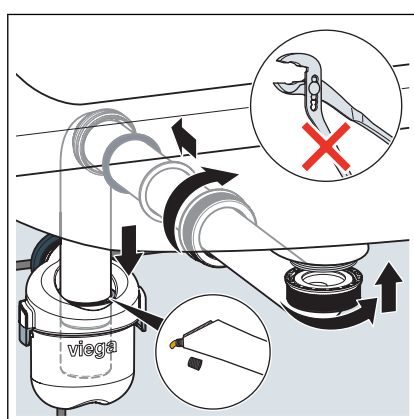
- Fit the adapter with the inscription "TOP" facing upwards.
Do not coat with a lubricant.
- Push the adapter over the seal as far as it will go.
- Insert the odour trap.



- Determine the length Y of the vertical drain elbow.
- Take into account the insertion depth of the odour trap.
min. 20 mm, max. 55 mm
- Cut the drain elbow to length and deburr it.



- Coat the vertical drain elbow with the lubricant and insert it.
- Determine the length X of the horizontal drain elbow and cut to length.
Take into account the insertion depth of the vertical drain elbow 15 mm.
- Deburr the pipe end.



- Coat the seal in the odour trap with lubricant.
- Fit the two drain elbows.
- Tighten the union nuts by hand.
Pay attention to the correct order of the seals.

3.1.2 Leakage test

The leakage test is only carried out as a visual inspection. Check the drain for visible leaks.

3.2 Care and cleaning

Care

Use household cleaner to remove coarse soiling, also around the drain unit and the odour trap. Rinse the detergent thoroughly with clear water after the prescribed exposure time. There should be no residue on the components.

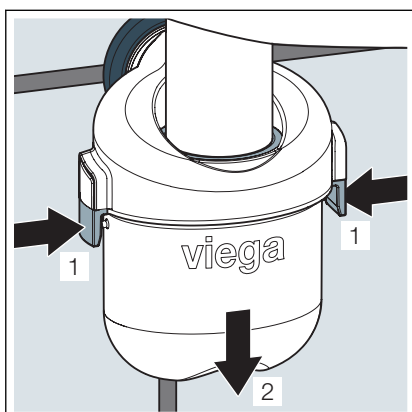
- Normal soap or a mild cleaning agent can be used for regular maintenance and prevention of lime scale.
- Strong stains can be removed using typical household cleaner. Rinse the detergent thoroughly with clear water after the prescribed exposure time.
- Dry the surfaces with a soft cloth. There should be no residue on the components.

Cleaning

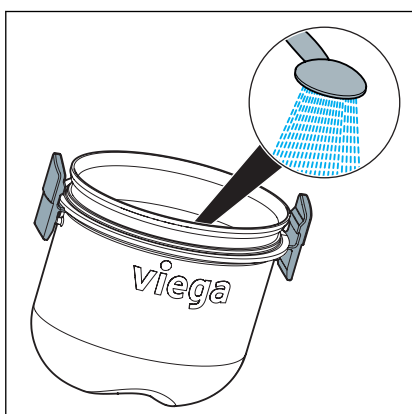


NOTICE!

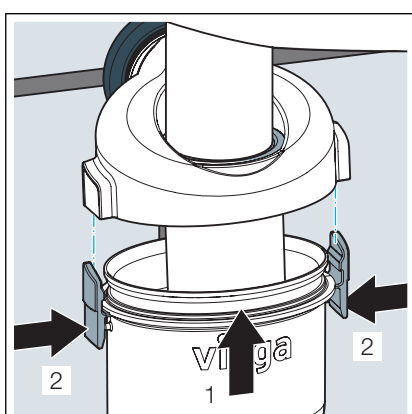
Be careful not to damage the odour trap when cleaning the drain.



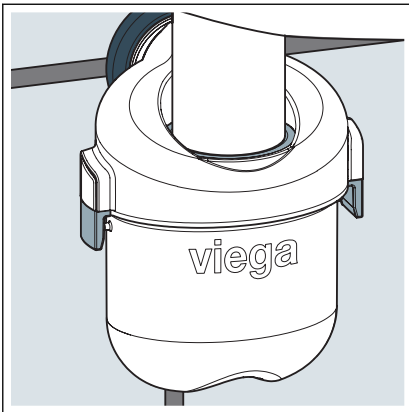
- Unlock the side holders at the same time.
Pull the cup downwards.



- Clean the cup.



- Coat the cup seal with lubricant.
- Push the cup on until you feel it click into place on both sides.
Lock with the side holders.



► Perform a leak test after assembly

3.3 Disposal

Separate the product and packaging materials (e. g. paper, metal, plastic or non-ferrous metals) and dispose of in accordance with valid national legal requirements.



Viega GmbH & Co. KG
service-technik@viega.de
viega.com

INT • 2021-09 • VPN210602

